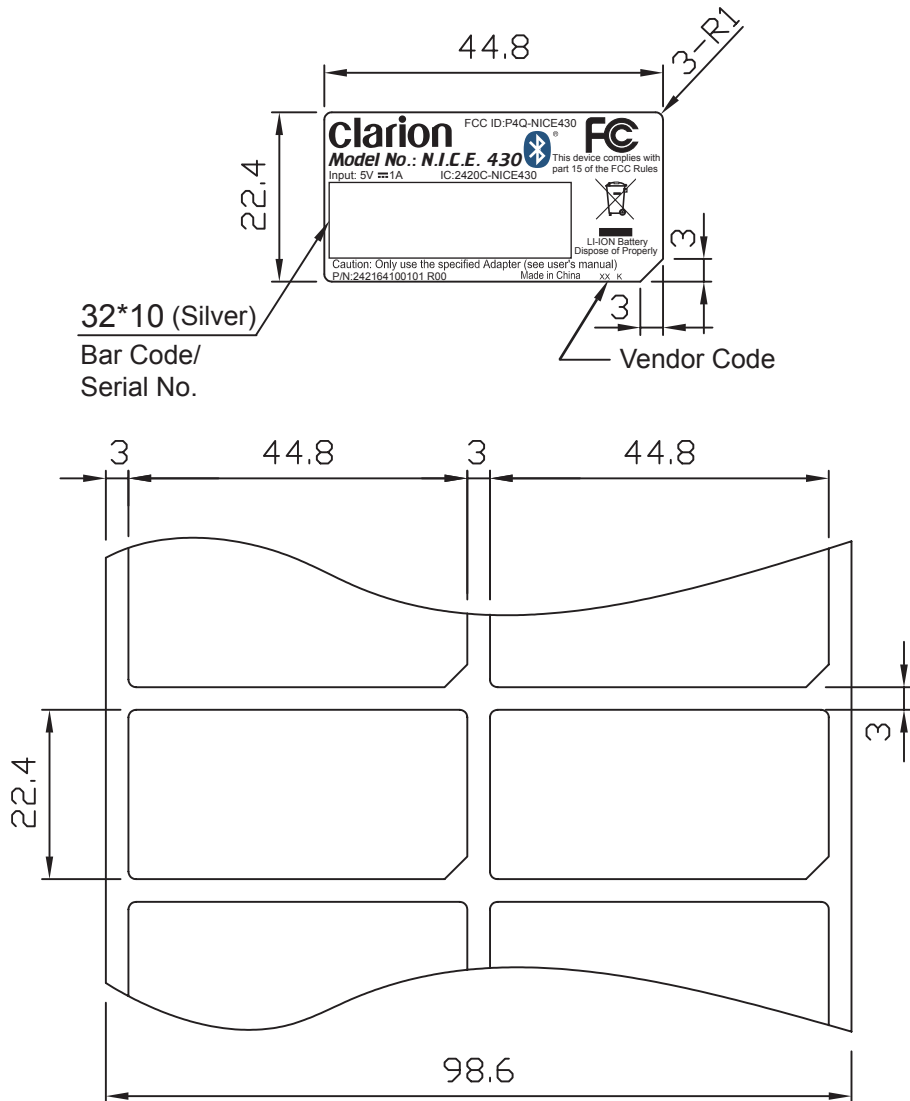


TOL ±					✓												
RANGE	M1	M2	S1	S2	P1	P2	C	B									
0~6	.05	0.1	.15	0.2	.05	0.1	0.5										
6~30	0.1	0.2	.15	.25	0.1	.15	1										
30~80	.15	.25	0.2	0.3	0.2	0.4	2										
80~180	.15	0.3	.25	.45	0.4	0.8	3										
180~315	0.2	0.5	0.4	0.6	0.6	1.2	3										
315~800	0.3	0.8	0.7	1.1	0.8	1.5	4		ITEM	CONTENTS OF CHANGE	RVS	APV	M/D/Y				



< 刀模圖 >
1:1

Note.

1. Material: Metalized Polyester 50#, 加霧 PET
2. Color: A. Background: Black
B. Text & Graphics: Silver
3. Pressure sensitive adhesive

DATE	12/20/2006	MATERIAL		TREATMENT		REMARK	
UNIT	MM	SCALE	1/1	DRAWING NAME	TF-LABEL;RATING,US,MANTAS 401J		
DRAWN	DESIGNED	CHECKED	APPROVED	MATERIAL NO.	MF 242164100101 R00		
Alice Chen				MITAC International Corp.			

Label Location

