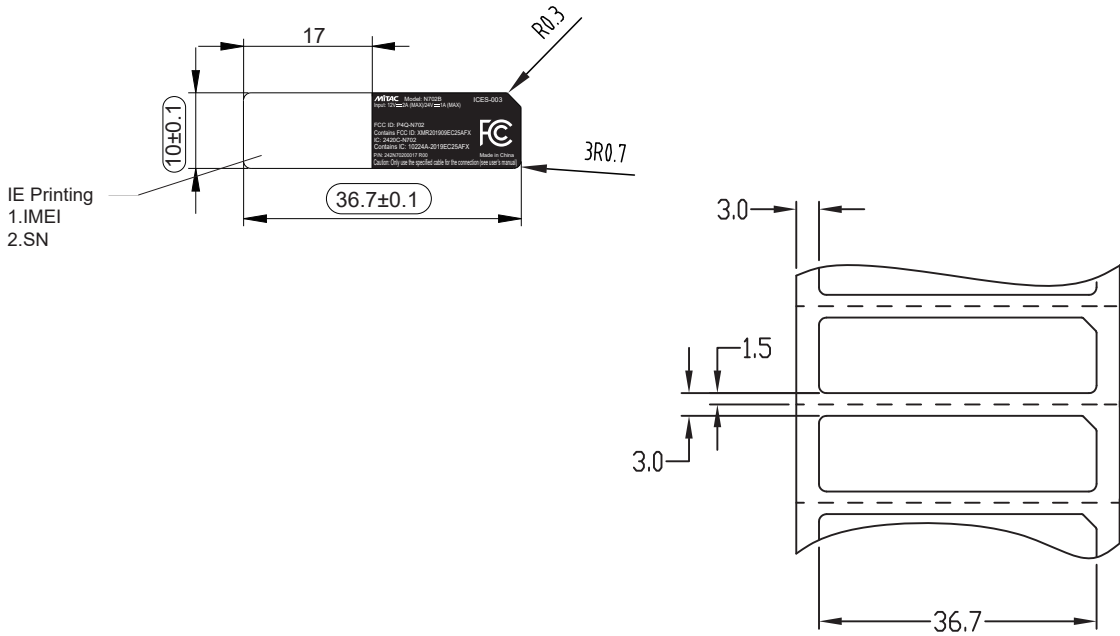
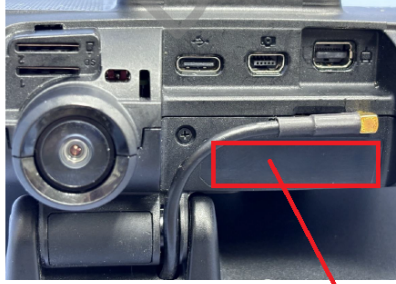


ITEM	CONTENTS OF CHANGE	DNG	CHK	APV	Y/M/D	TOL ±								
						RANGE	M1	M2	S1	S2	P1	P2	C	B
						0 ~ 6	0.05	0.1	0.15	0.2	0.05	0.1	0.5	0.15
						6.x ~ 30	0.1	0.2	0.15	0.25	0.1	0.15	1	0.15
						30.x ~ 80	0.15	0.25	0.2	0.3	0.2	0.4	2	0.25
						80.x ~ 180	0.15	0.3	0.25	0.45	0.4	0.8	3	0.25
						180.x ~ 315	0.2	0.5	0.4	0.6	0.6	1.2	3	0.3
						315.x ~ 800	0.3	0.8	0.7	1.1	0.8	1.5	4	0.5



- NOTE:**
1. Material: 50# white mylar 加霧 PET 壓花膠
 2. All of printing should follow Mitac's artwork
 3. 單排列印, 使用碳帶#64
 4. 料號版本放在卷筒裡

Computer Generated Do Not Revise Manually MITAC Proprietary and Confidential MITAC Internal Use Only			Unit mm	Scale 1:1	Drawing Name TF-LABEL;RATING,DEVICE,NA,N702B ,EVO	
Material Ref. Note	Texture NA	Painting NA	Coating NA	Material No. 242N70200017	R00	1/1
Drafter Joyce.Tsai 2024/06/18	Designer Joyce.Tsai 2024/06/18	Checker Job.Chang 2024/05/22	Approver George.Chien 2024/05/22			



1.rating label