

**Top Clamp**  
 Double Injection  
 Black Area: Rubber  
 Color: Pantone Process Black C  
 Texture:EDM-VDI36  
 Other Area: Plastic  
 Color: Pantone Process Black C  
 Texture:EDM-VDI33

**Tube**  
 Material : Pontil  
 Color: High Gloss Chrome  
 Finish: Nickel Plating

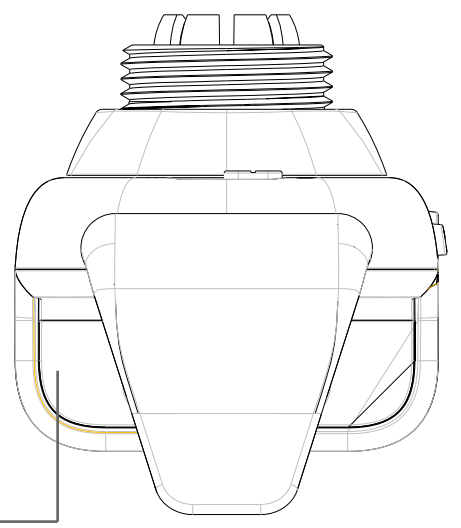
**Base Support Pad**  
 Rubber  
 Color:  
 Pantone Process Black C  
 Texture:EDM-VDI36

**Cover Plate**  
 Plastic  
 Color:  
 Pantone Process Black C  
 Texture:EDM-VDI33

**Support Cap**  
 Rubber  
 Color:  
 Pantone Process Black C  
 Texture:EDM-VDI36

**Led lens**  
 Clear PC

**Front Cover**  
 Plastic  
 Black Area:  
 Texture:EDM-VDI33  
 Color: Pantone Process Black C  
 UV Painting  
 $93^{\circ} \pm 3^{\circ}$



**Reset button**  
**Rotation Mount**  
**Rear Cover**  
**Latch Release Button**

Plastic  
 Color: Pantone Process Black C  
 Texture:MT11010

**Slide Button**  
 Plastic  
 Color: Pantone Process Black C  
 Texture:MT11010  
 Orange area: Engraved 0.2mm  
 with polished surface  
 Refer 3D model

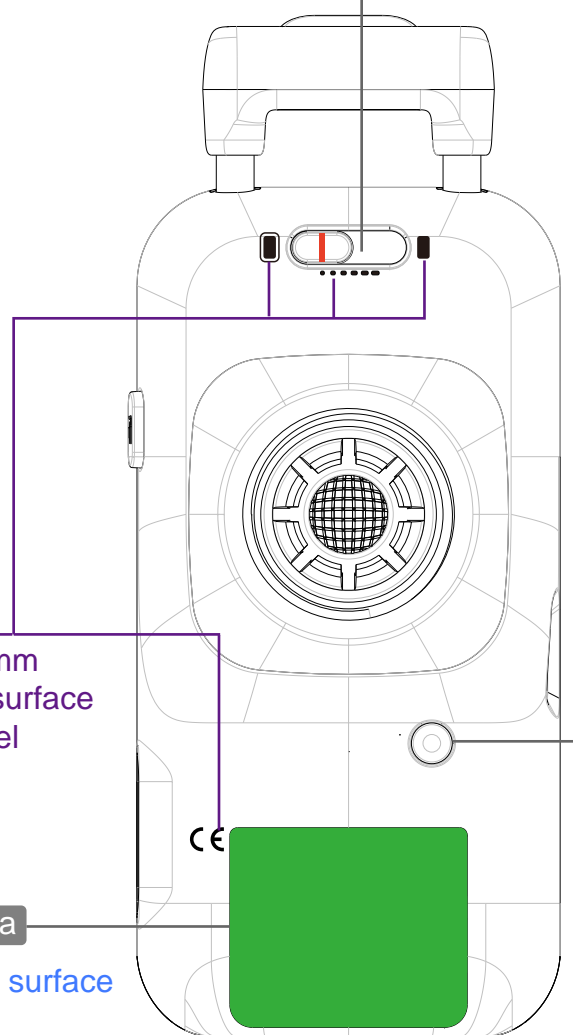
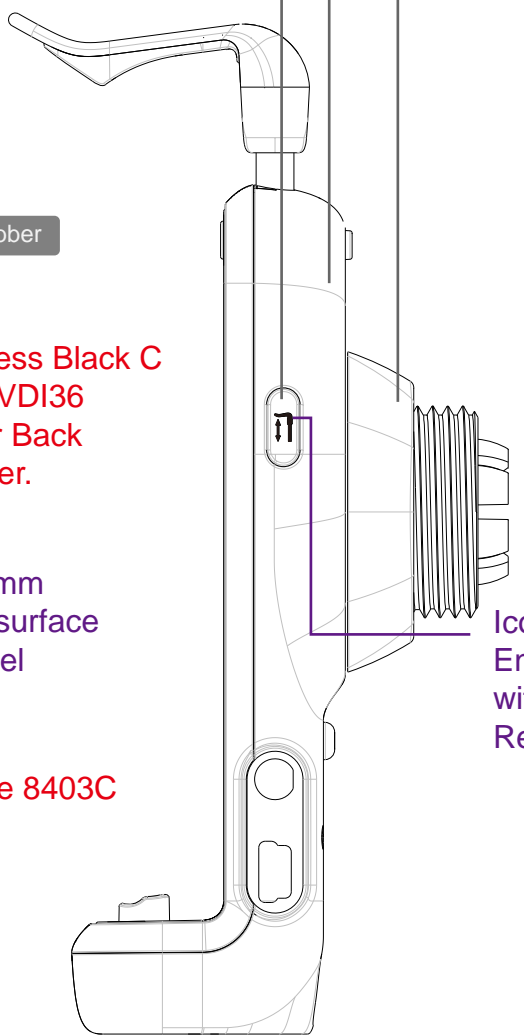
**Back Support Rubber**  
 Rubber  
 Color:  
 Pantone Process Black C  
 Texture:EDM-VDI36  
 Refer CMF for Back  
 Support Rubber.

**LOGO2**  
 Engraved 0.2mm  
 with polished surface  
 Refer 3D model

**LOGO 1**  
 Printed;  
 Color: Pantone 8403C

**Icon:**  
 Engraved 0.2mm  
 with polished surface  
 Refer 3D model

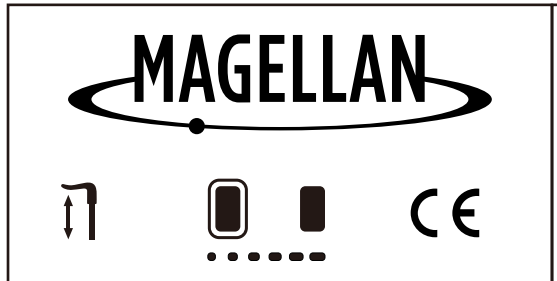
**LabelArea**  
 Polished surface



1.65mm  
 Align Center

Engraved ICON ( scale 2 : 1 )

Printed ICON ( scale 2 : 1 )



ITEM	PART NAME	PART NO.	QTY/SET	MATERIAL(SPEC)	REMARK
MATERIAL(SPEC)		QUANTITY/SET		MiTAC International Corp.	
iCRADLE CMF		1 PC.		DESCRIPTION	
FINISH		DRAWN		ID-Smart Cradle (Active cradle) CMF	
		Mark.Gao 2009-09-24		SCALE 1:1	
SELECT		ISSUED		DRAWING NO. V6	
DIM. TOL.		Mark.Gao 2009-09-24		UNIT mm	
		CHECKED		FILE NAME	
		Purple.he 2009-09-24		MODEL NO.	
		APPROVED			
1	0.03	0.05	0.10	0.20	
2	0.05	0.08	0.20	0.30	
3	0.08	0.12	0.30	0.40	
4	0.12	0.20	0.40	0.50	
5	0.20	0.30	0.50	0.60	