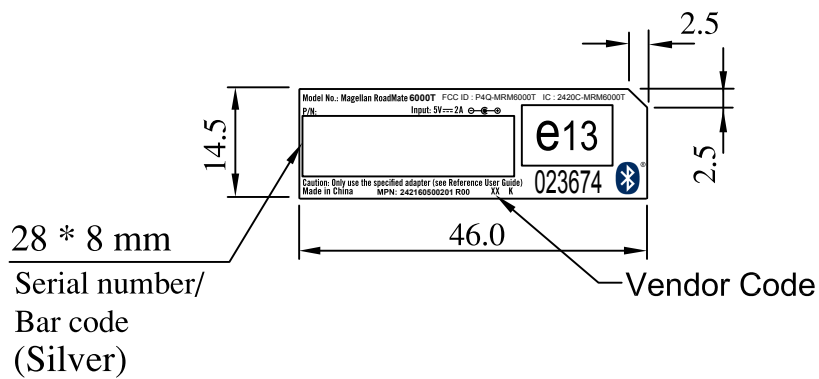


TOL ±					✓									
	RANGE	M1	M2	S1	S2	P1	P2	C	B					
0~6	.05	0.1	.15	0.2	.05	0.1	0.5							
6~30	0.1	0.2	.15	.25	0.1	.15	1							
30~80	.15	.25	0.2	0.3	0.2	0.4	2							
80~180	.15	0.3	.25	.45	0.4	0.8	3							
180~315	0.2	0.5	0.4	0.6	0.6	1.2	3							
315~800	0.3	0.8	0.7	1.1	0.8	1.5	4		ITEM	CONTENTS OF CHANGE	RVS	APV	M/D/Y	



Note:

1. Material: Metalized Polyester 25#, 加霧 PET
2. Color: A. Background: Black  
B. Text & Graphics: Silver
3. Pressure sensitive adhesive

DATE	05/25/2006	MATERIAL		TREATMENT		REMARK	
UNIT	MM	SCALE	1/1	DRAWING NAME	TF-LABEL;RATING,6000T,TN-PLUTO2		
DRAWN	DESIGNED	CHECKED	APPROVED	MATERIAL NO.	MF 242160500201 R00		
Alice	Chen			<b>MITAC</b> International Corp.			