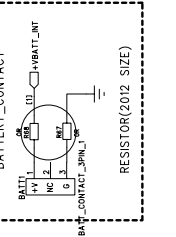
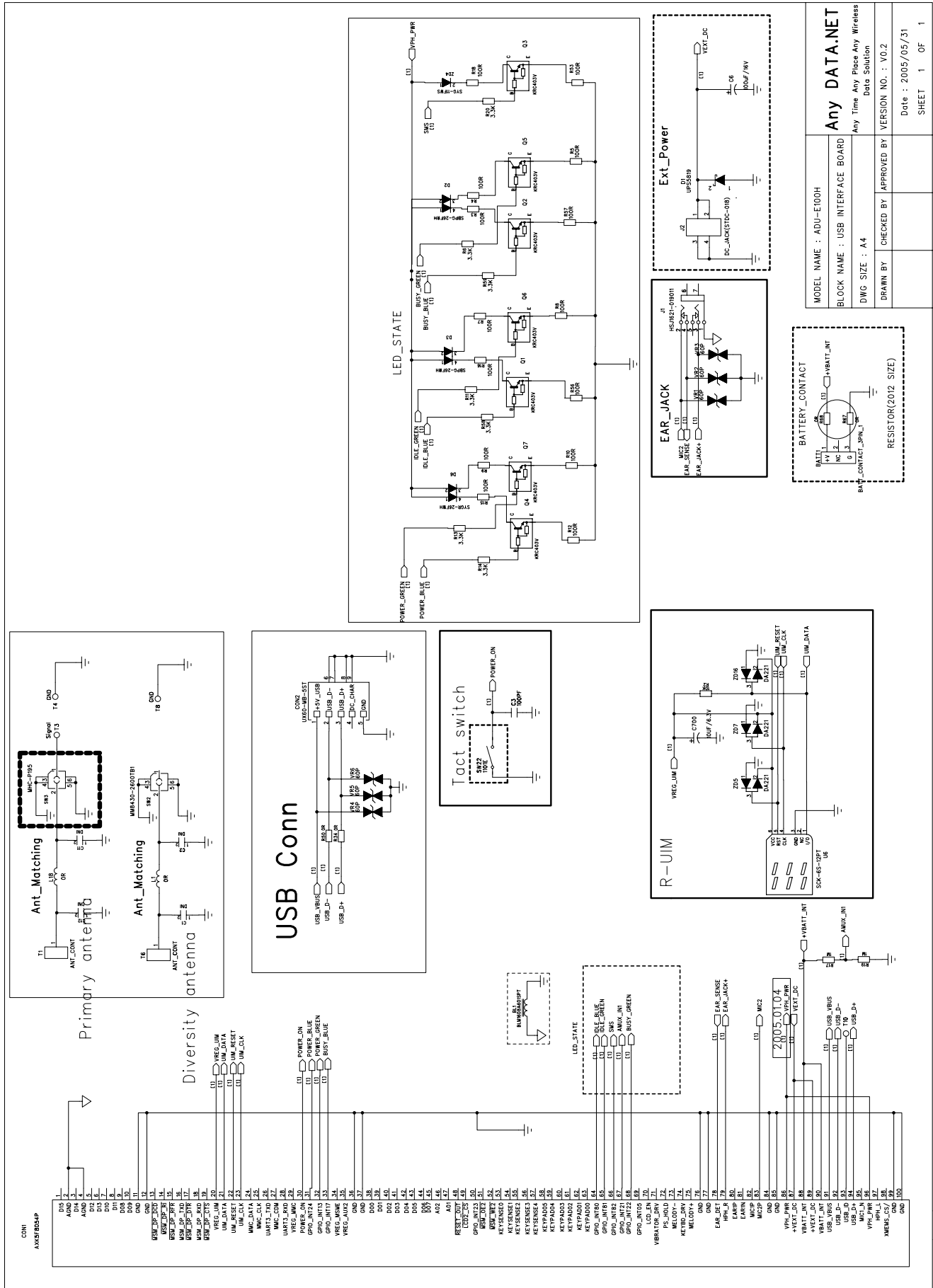


MODEL NAME : ADU-E100A	
BLOCK NAME : USB INTERFACE BOARD	
DWG SIZE : A4	
DRAWN BY	CHECKED BY APPROVED BY
Any Time Any Place Any Wireless Data Solution	
Date : 2005/05/31	
SHEET 1 OF 1	





MODEL NAME : ADU-E100H	
BLOCK NAME : USB INTERFACE BOARD	
DWG SIZE : A4	
DRAWN BY	CHECKED BY
Approved by	

Any DATA.NET	
Any Time Any Place Any Wireless Data Solution	
Date : 2005/05/31	
SHEET 1	OF 1