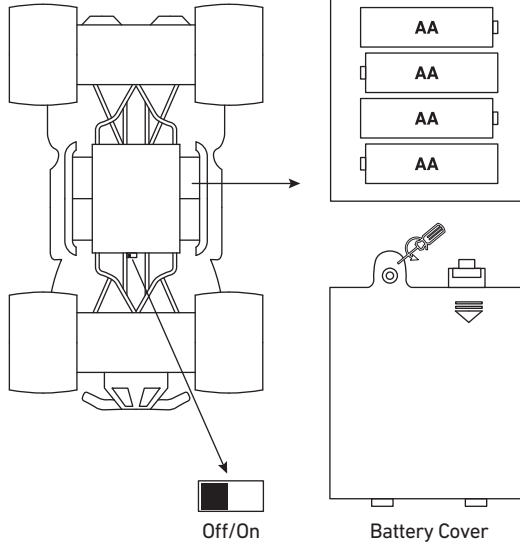
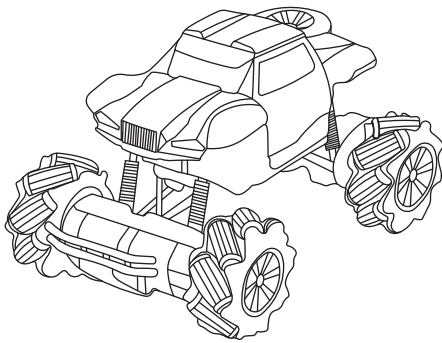


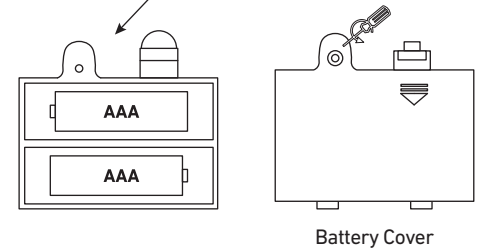
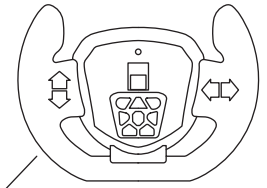
CONTENTS

1x Side Drifting Truck



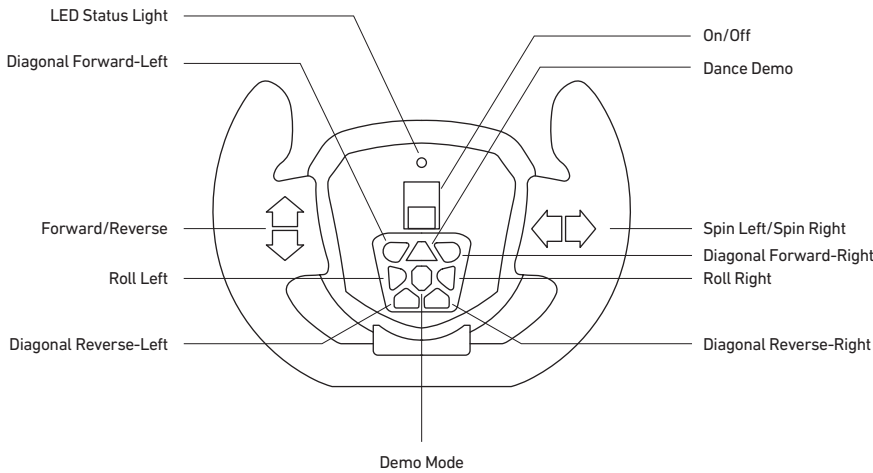
The car requires 4 "AA" 1.5V batteries (not included).

1x Remote



The remote requires 2 "AAA" 1.5V batteries (not included).

REMOTE OVERVIEW



Note: After the remote control turns on, the indicator light is always on. After connecting the signal of the remote control vehicle, the indicator light will turn on by pressing any button on the remote control.

If you turn on the remote control and the indicator light is on, the indicator goes out after a long time without matching the remote, but the remote control is still in operation and needs to be turned off.

SAFETY PRECAUTIONS

- For indoor use only. Avoid water when operating.
- Do not use people or animals as obstacles.
- Never operate your vehicle on the street or highway.
- Do not run car into furniture objects or hard surfaces as this will cause damage to both the objects and car.
- Keep fingers, hair and loose clothing away from the tires, gears and motor while car is switched to "ON".
- Do not expose to extreme temperatures or moisture
- Do not leave car or transmitter near sources of heat or under direct sunlight for long periods of time.
- Adult supervision is recommended when operating car.
- Thoroughly inspect products before every use. If the product appears worn, frayed/splintered, cracked, or broken in any manner, discontinue use and discard immediately.
- Do not mix old and new batteries.
- Do not mix alkaline, standard (carbon-zinc), or rechargeable batteries.
- Alkaline batteries are recommended. Use only the specified voltage.
- Insert batteries using the correct polarity. Always use, replace, and recharge (if applicable) batteries under adult supervision.
- Do not charge with non-rechargeable batteries.
- Do not short-circuit the battery supply terminals.
- Do not dispose of batteries in fire, batteries may explode or leak.
- Remove batteries before storing.
- Recycle or dispose of batteries according to federal, state, and local laws.
- Keep these instructions for future reference.

This device complies with part 15 of the FCC rules. Operation is subject to the following two conditions:

- 1) This device may not cause harmful interference, and
- 2) This device must accept any interference received, including interference that may cause undesired operation.

NOTE: This equipment has been tested and found to comply with the limits for a Class B digital device, pursuant to Part 15 of the FCC Rules. These limits are designed to provide reasonable protection against harmful interference in a residential installation. This equipment generates, uses and can radiate radio frequency energy and, if not installed and used in accordance with the instructions, may cause harmful interference to radio communications. However, there is no guarantee that interference will not occur in a particular installation. If this equipment does cause harmful interference to radio or television reception, which can be determined by turning the equipment off and on, the user is encouraged to try to correct the interference by one or more of the following measures:

- Reorient or relocate the receiving antenna.
- Increase the separation between the equipment and receiver.
- Connect the equipment into an outlet on a circuit different from that to which the receiver is connected.
- Consult the dealer or an experienced radio/TV technician for help.

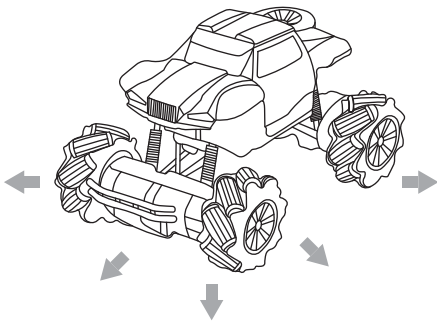
WARNING: Changes or modifications not expressly approved by the party responsible for compliance could void the user's authority to operate the equipment.

KEEP THIS INSTRUCTION MANUAL AS IT CONTAINS IMPORTANT INFORMATION FOR FUTURE REFERENCE

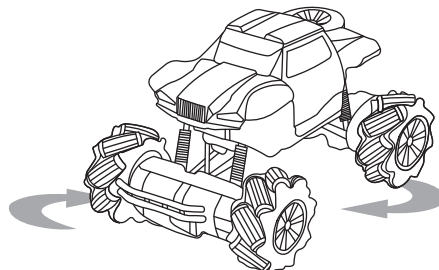
© 2020 MerchSource, LLC. Irvine, CA 92618. All rights reserved.

DIRECTIONS

Direction



360 Degree Rotation



WARNING:
CHOKING HAZARD - Small parts.
Not for children under 3 years.