







**DAS DHS40-RA
SERIES FCC ID &
PART 90 LABELS**

 <small>ELECTROMAGNETIC DEVICES</small>	FCC ID: P3TDHS40-RA 8986A-DHS40R
 	Model: DHS40-R CIU: Serial:
	 FCC001

Part 90 Signal Boosters

THIS IS A 90.219 CLASS A DEVICE

WARNING. This is **NOT** a **CONSUMER** device. It is designed for installation by **FCC LICENSEES** and **QUALIFIED INSTALLERS**. You **MUST** have an **FCC LICENSE** or express consent of an FCC Licensee to operate this device. You **MUST** register Class B signal boosters (as defined in 47 CFR 90.219) online at www.fcc.gov/signal-boosters/registration. Unauthorized use may result in significant forfeiture penalties, including penalties in excess of \$100,000 for each continuing violation.



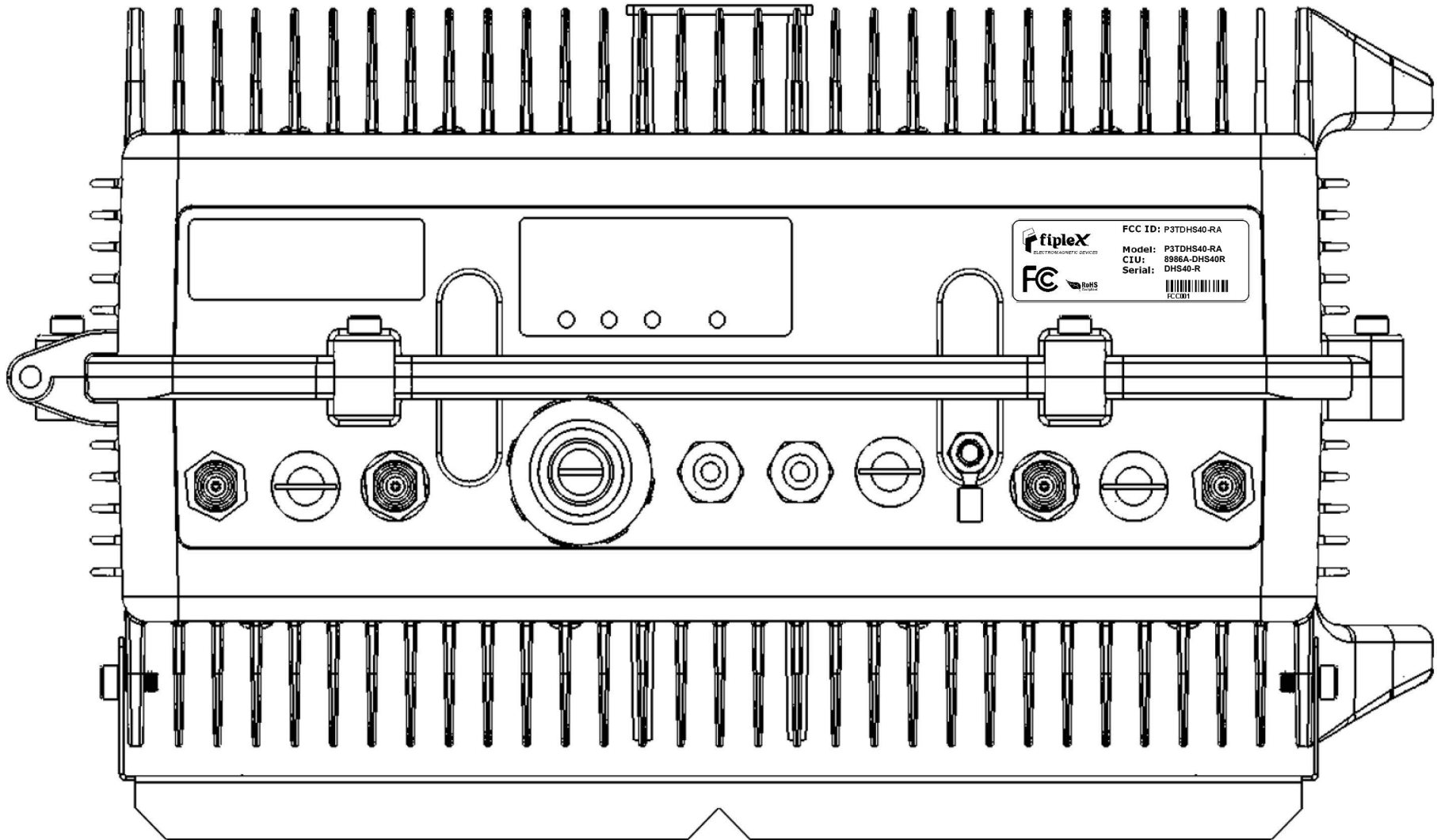
WARNING: This is **NOT** a **CONSUMER** device. It is designed for installation by an installer approved by an ISED licensee. You **MUST** have an **ISED LICENCE** or the express consent of an ISED licensee to operate this device.





BDA DHS40-RA
BDA DHS40-RA

LABEL





DAS DHS40-RA FCC PART 90 LABEL

WARNING: This is **NOT** a **CONSUMER** device. It is designed for installation by an installer approved by an ISED licensee. You **MUST** have an **ISED LICENCE** or the express consent of an ISED licensee to operate this device.



Part 90 Signal Boosters THIS IS A 90.219 CLASS A DEVICE
WARNING: This is **NOT** a **CONSUMER** device. It is designed for installation by **FCC LICENSEES** and **QUALIFIED INSTALLERS**. You **MUST** have an **FCC LICENSE** or express consent of an FCC Licensee to operate this device. You **MUST** register Class B signal boosters (as defined in 47 CFR 90.219) online at www.fcc.gov/signal-boosters/registration. Unauthorized use may result in significant forfeiture penalties, including penalties in excess of \$100,000 for each continuing violation.

