



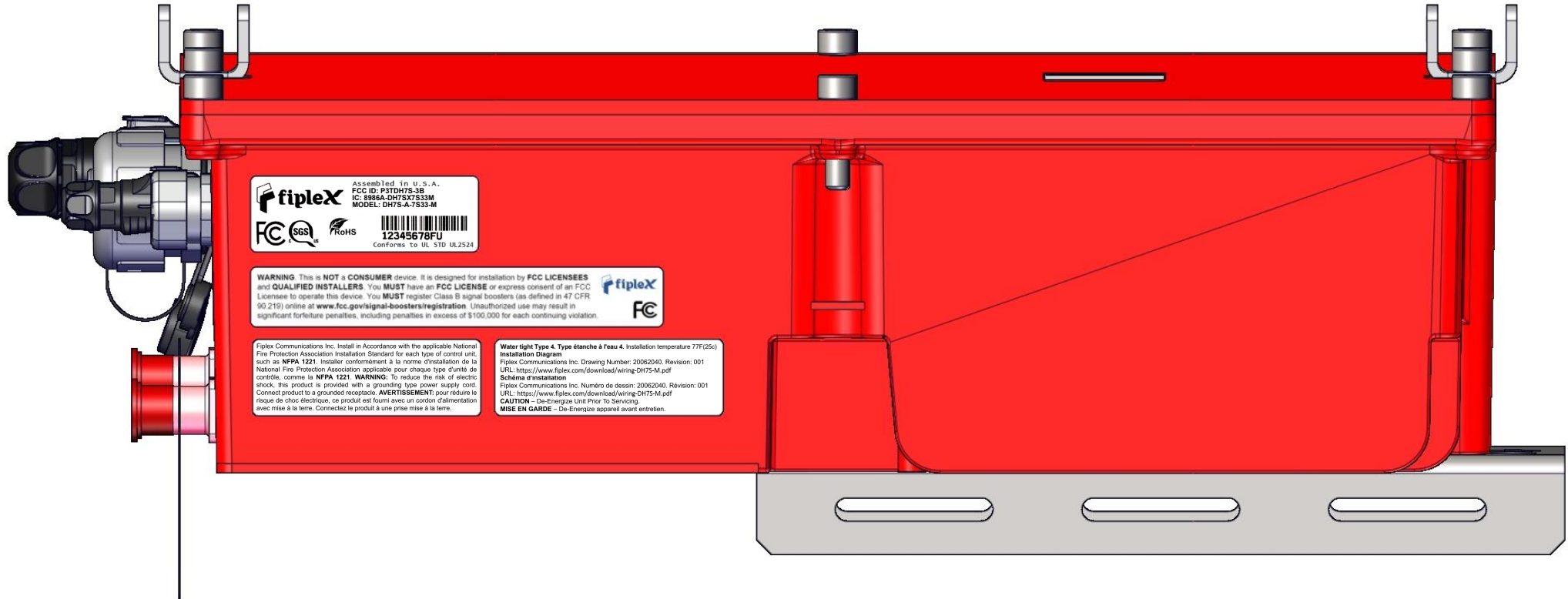
## PP-0070 - FCR023 Labeling instructions for DH7S Master Series



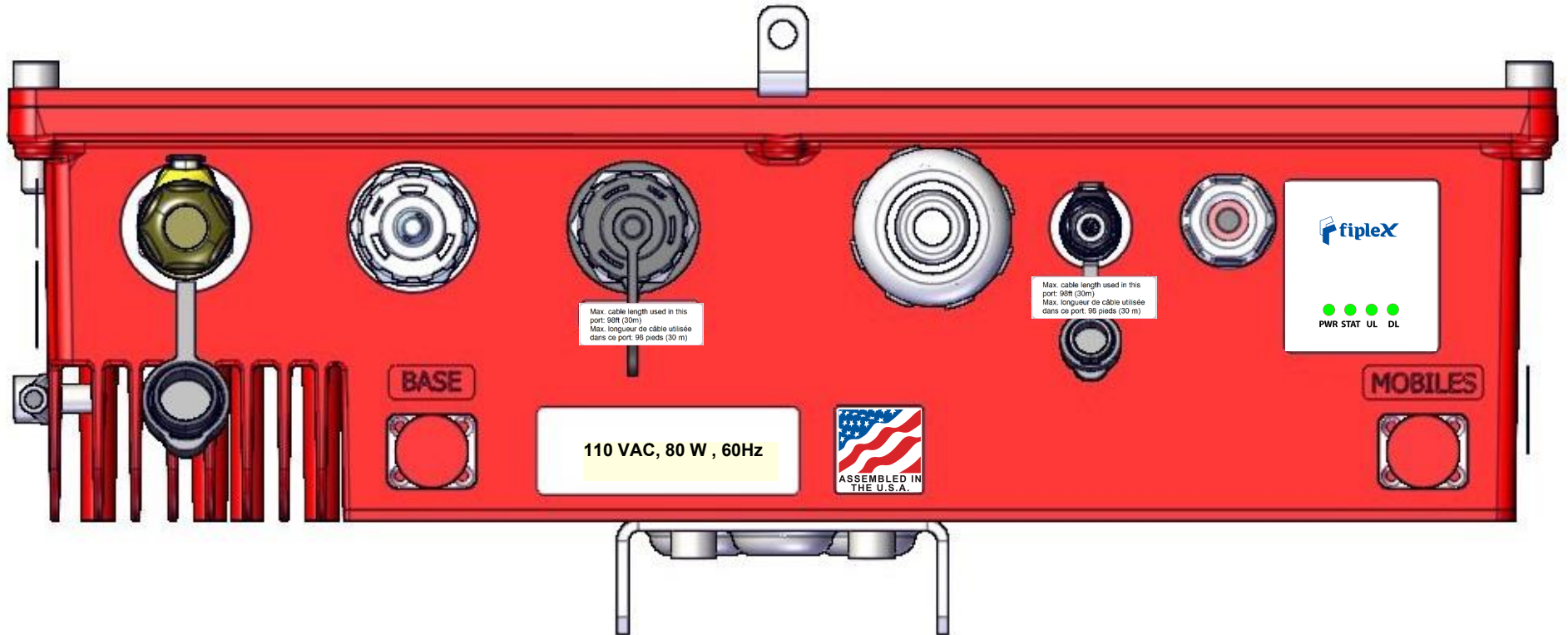
## Document History

Description	Revision	Date Issued	Done By	Reviewed By	Approved By
Original Version	001	Dec 29th, 2020	ND	FS	FS

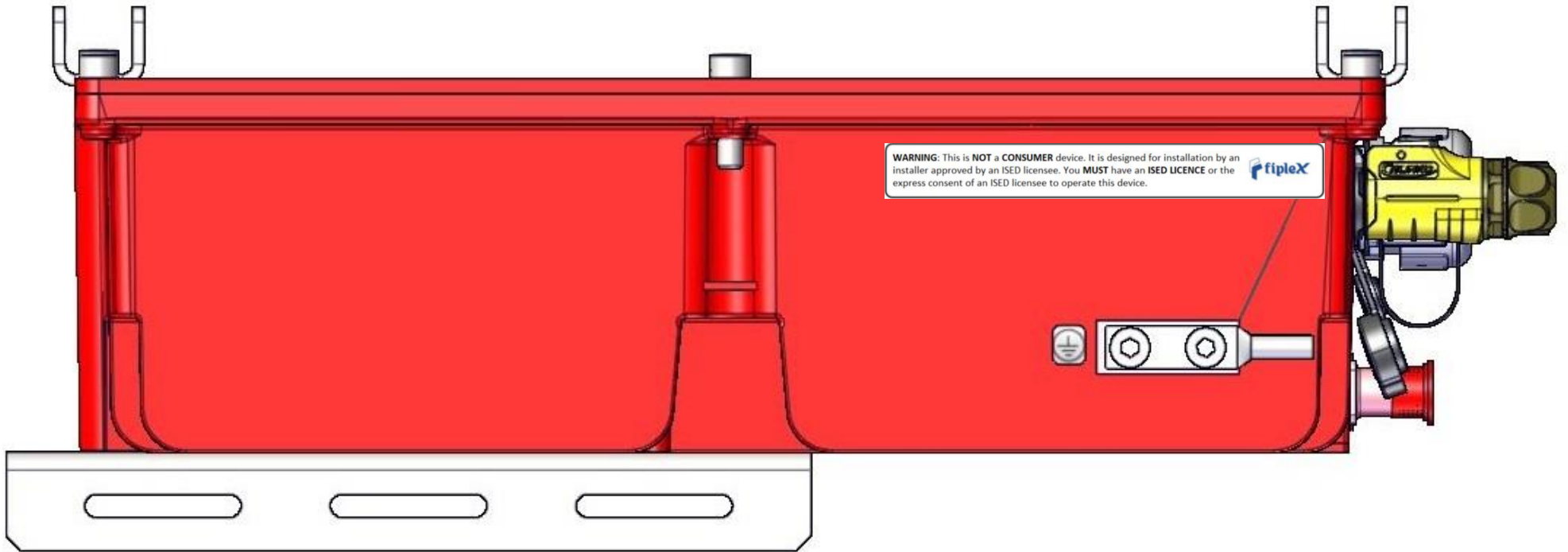
## 1) AC Version right view



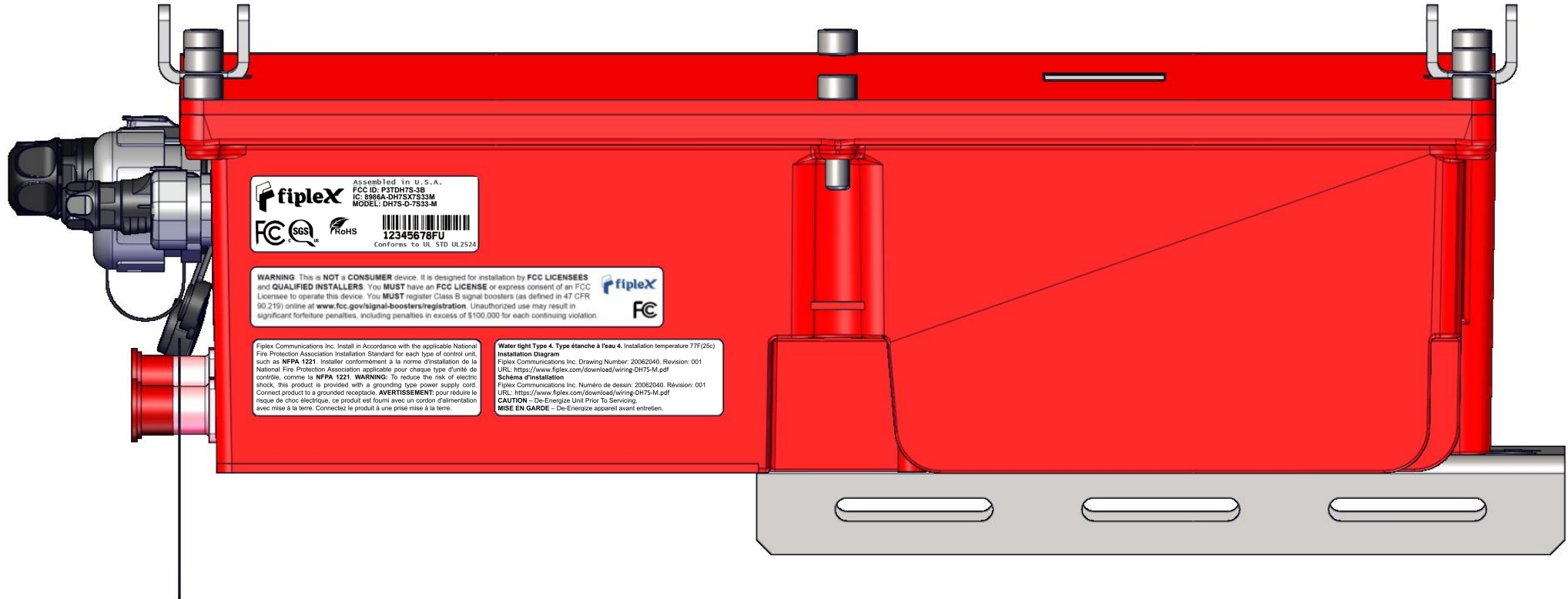
## 2) AC Version bottom view



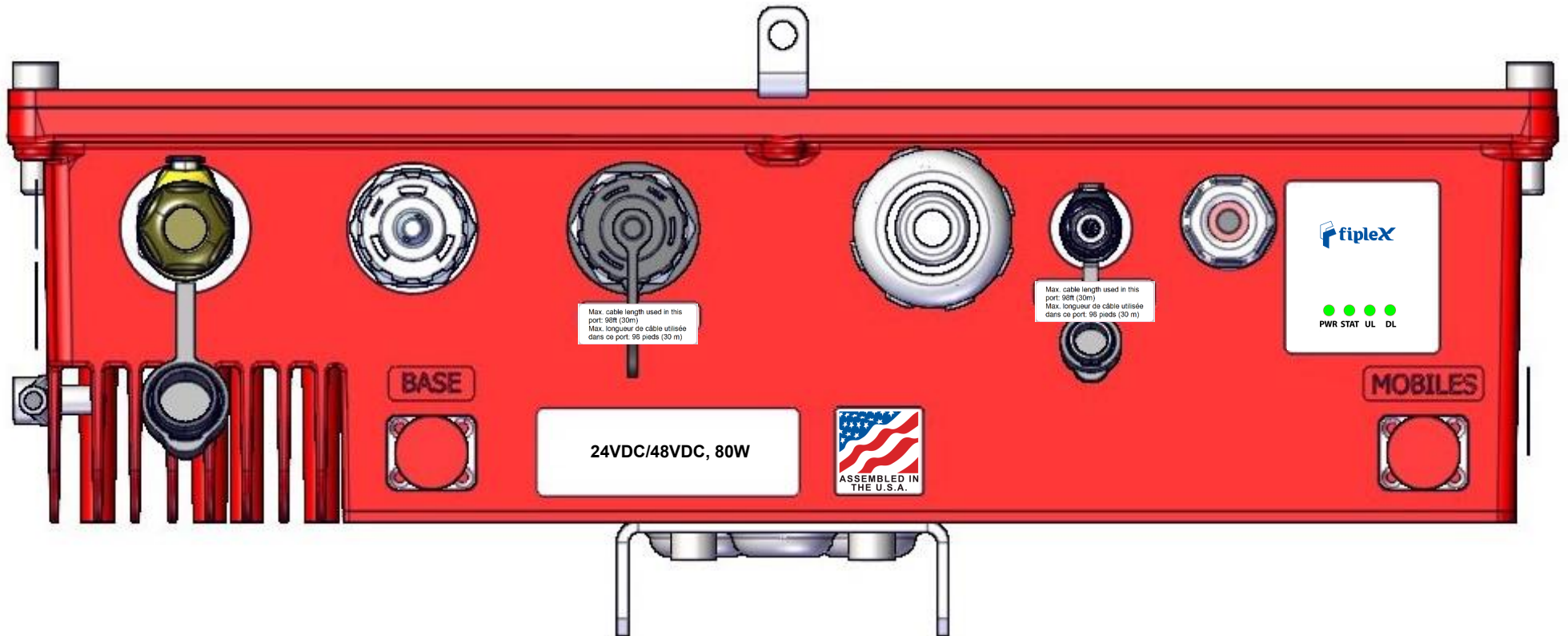
### 3) AC Version left view



#### 4) DC Version right view



### 5) DC Version bottom view



## 6) DC Version left view

