



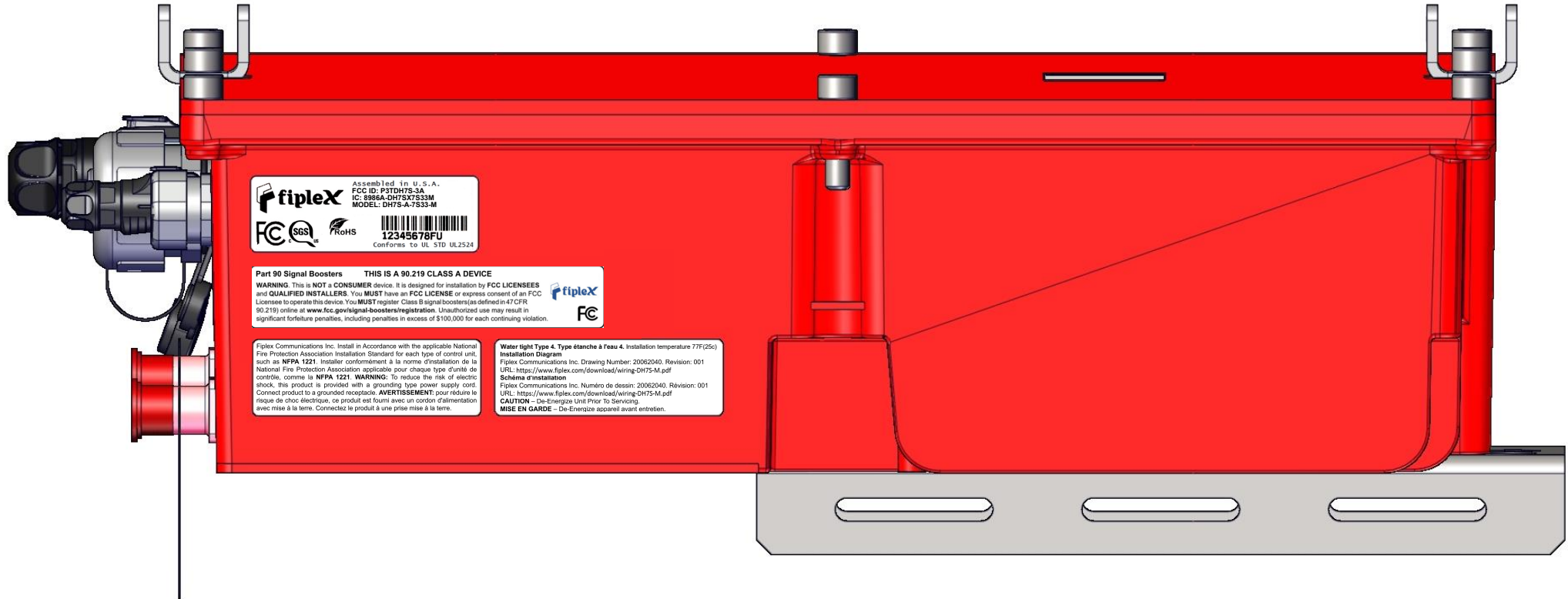
PP-0070 - FCR023 Labeling instructions for DH7S Master Series



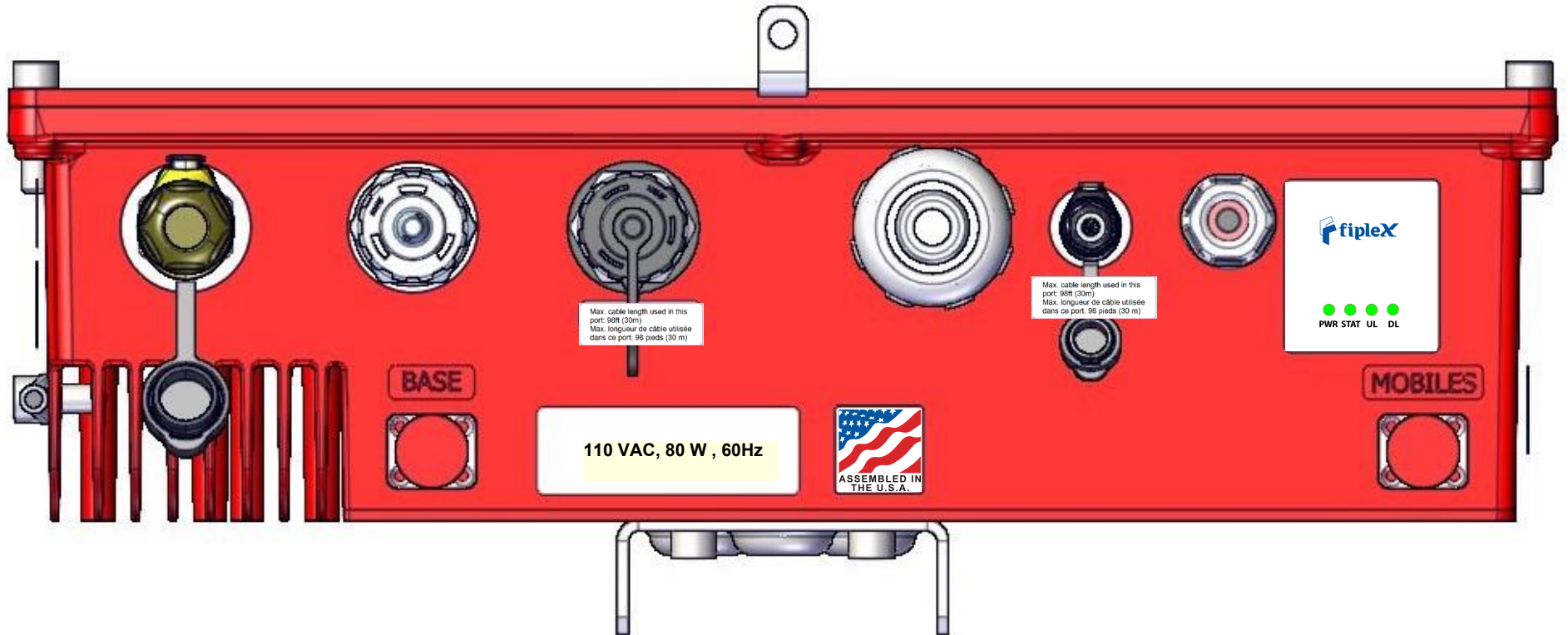
Document History

Description	Revision	Date Issued	Done By	Reviewed By	Approved By
Original Version	001	Dec 29th, 2020	ND	FS	FS

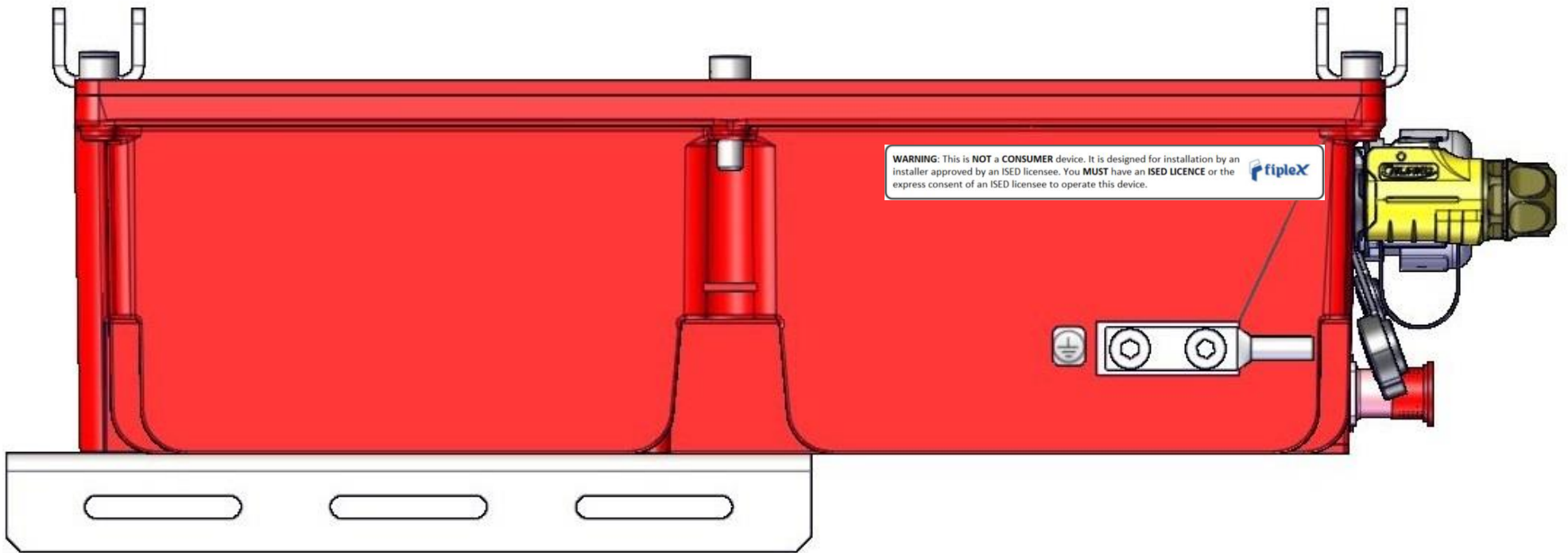
1) AC Version right view



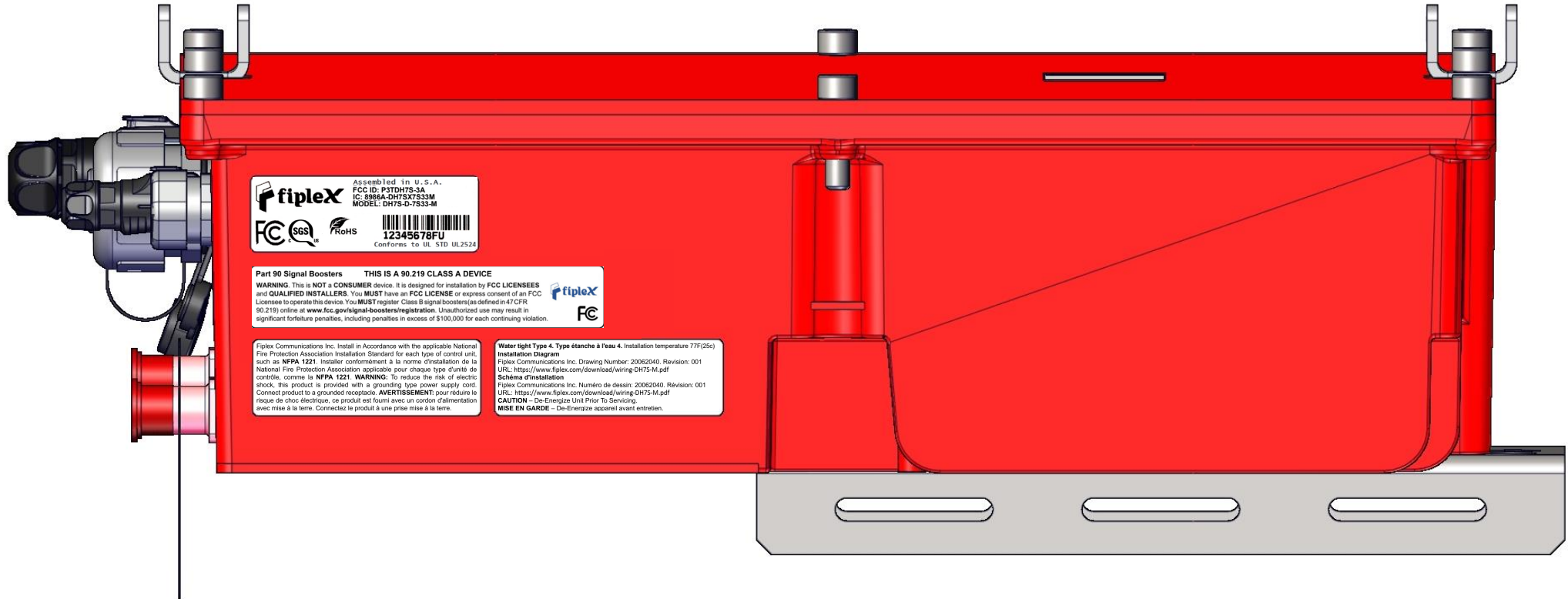
2) AC Version bottom view



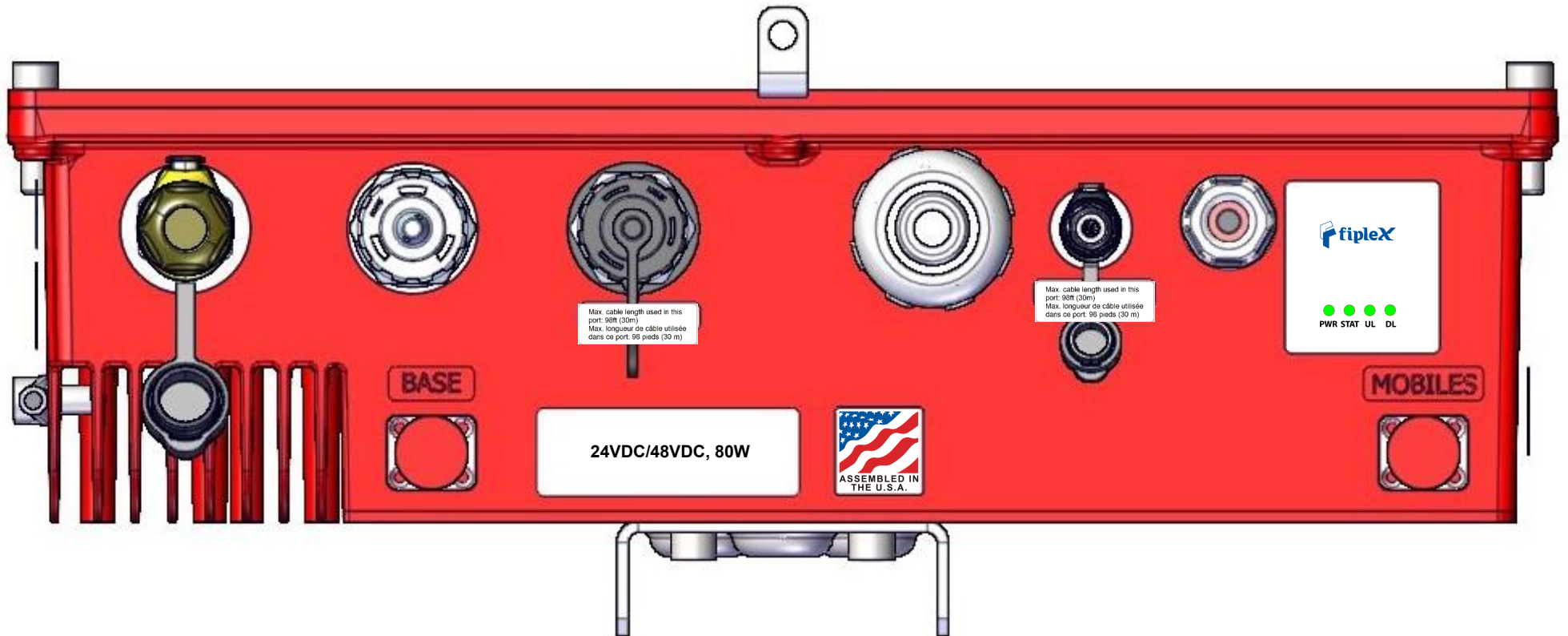
3) AC Version left view



4) DC Version right view



5) DC Version bottom view



6) DC Version left view

