



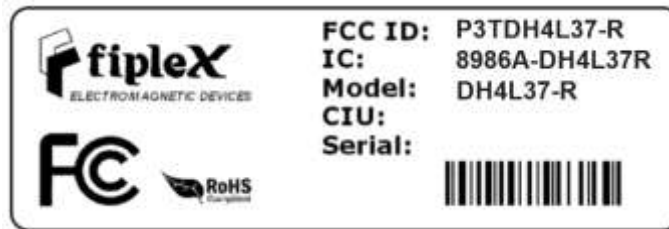
COMMUNICATIONS, INC.

Electromagnetic Devices for Radio Communications Systems

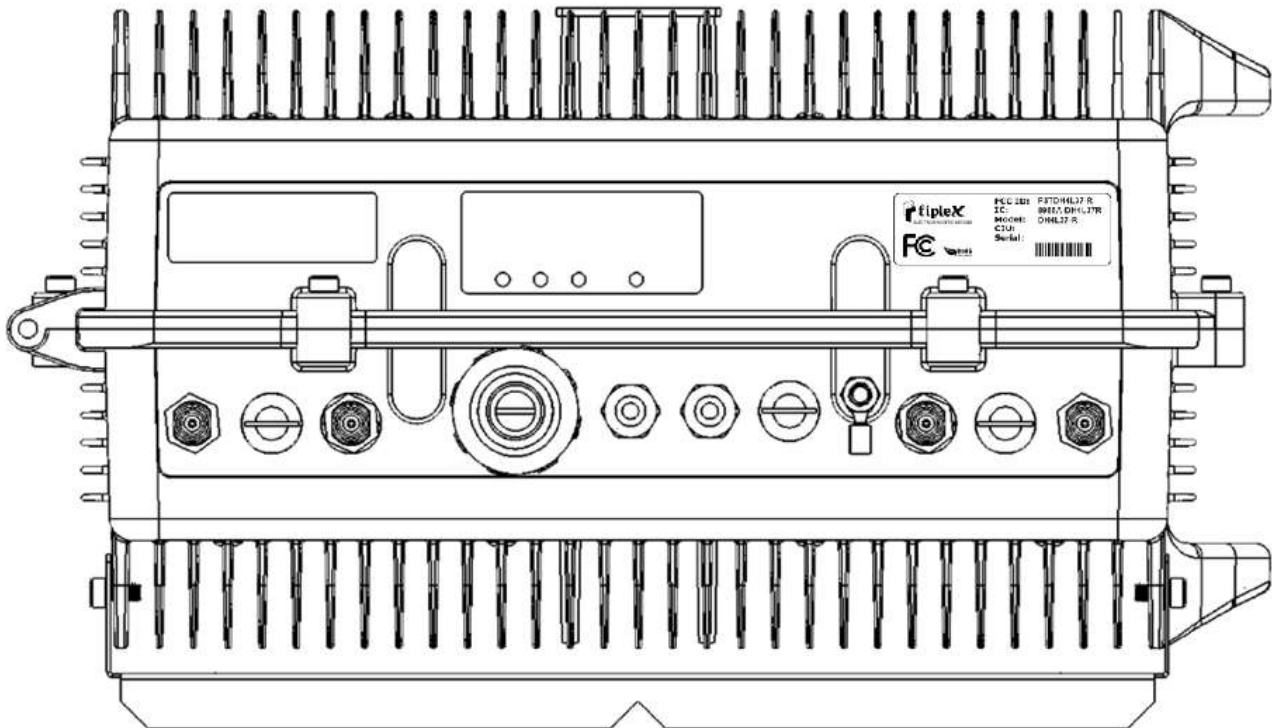
FCC/IC LABEL ATTESTATION

MODEL: DH4L37-R

Label Sample



FCC ID LABEL LOCATION



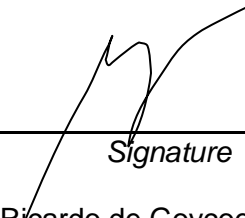


COMMUNICATIONS, INC.

Electromagnetic Devices for Radio Communications Systems

Dated this 20th day of March 2017

By:



Signature

Ricardo de Goycochea
Printed

Title: CEO

On behalf of: Fiplex Communications, Inc

Telephone: +1 305 884 8991



COMMUNICATIONS, INC.

Electromagnetic Devices for Radio Communications Systems

SIGNAL BOOSTER WARNING LABEL ATTESTATION

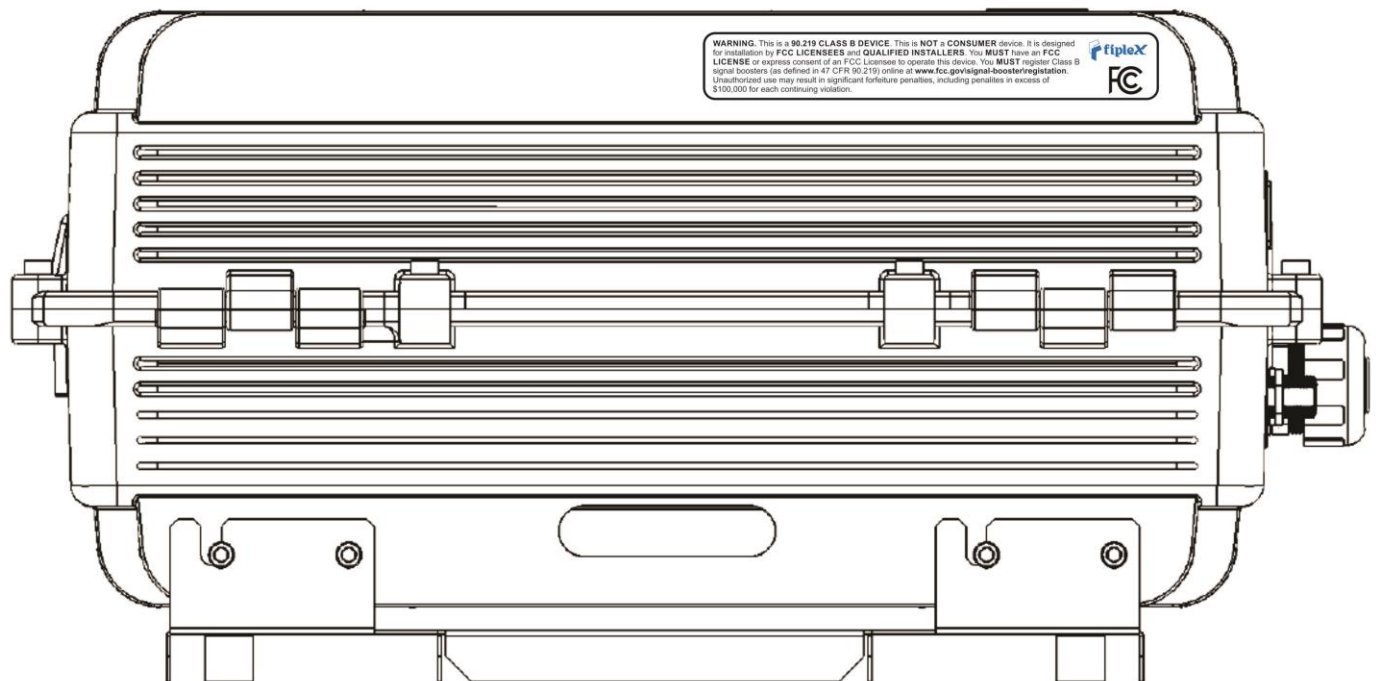
**MODEL: DH4L37-R
FCC ID: P3TDH4L37-R**

FCC SIGNAL BOOSTER WARNING PART 90 LABEL

WARNING. This is a **90.219 CLASS B DEVICE**. This is **NOT** a **CONSUMER** device. It is designed for installation by **FCC LICENSEES** and **QUALIFIED INSTALLERS**. You **MUST** have an **FCC LICENSE** or express consent of an FCC Licensee to operate this device. You **MUST** register Class B signal boosters (as defined in 47 CFR 90.219) online at www.fcc.gov/signal-booster/registration. Unauthorized use may result in significant forfeiture penalties, including penalties in excess of \$100,000 for each continuing violation.



**FCC SIGNAL BOOSTER WARNING PART 90 LABEL
LOCATION IN PRODUCT**





COMMUNICATIONS, INC.


Electromagnetic Devices for Radio Communications Systems

**FCC SIGNAL BOOSTER WARNING PART 90 LABEL
LOCATION IN PACKAGING**



Dated this 20th day of March 2017

By:



Signature

Ricardo de Goycochea
Printed

Title: CEO

On behalf of: Fiplex Communications, Inc

Telephone: +1 305 884 8991