



**Assembled in U.S.A**  
**FCC ID: P3TDH14-12B**  
**IC: 8986A-DH14LBM**  
**MODEL: HONBDA-MA**



801905

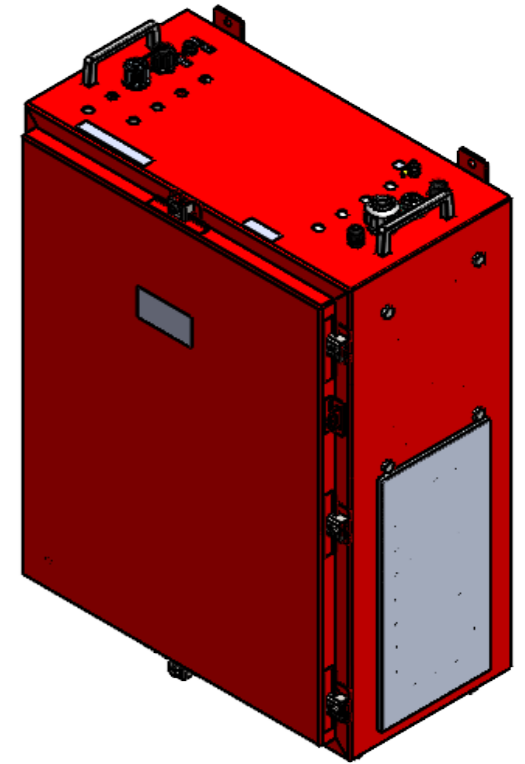
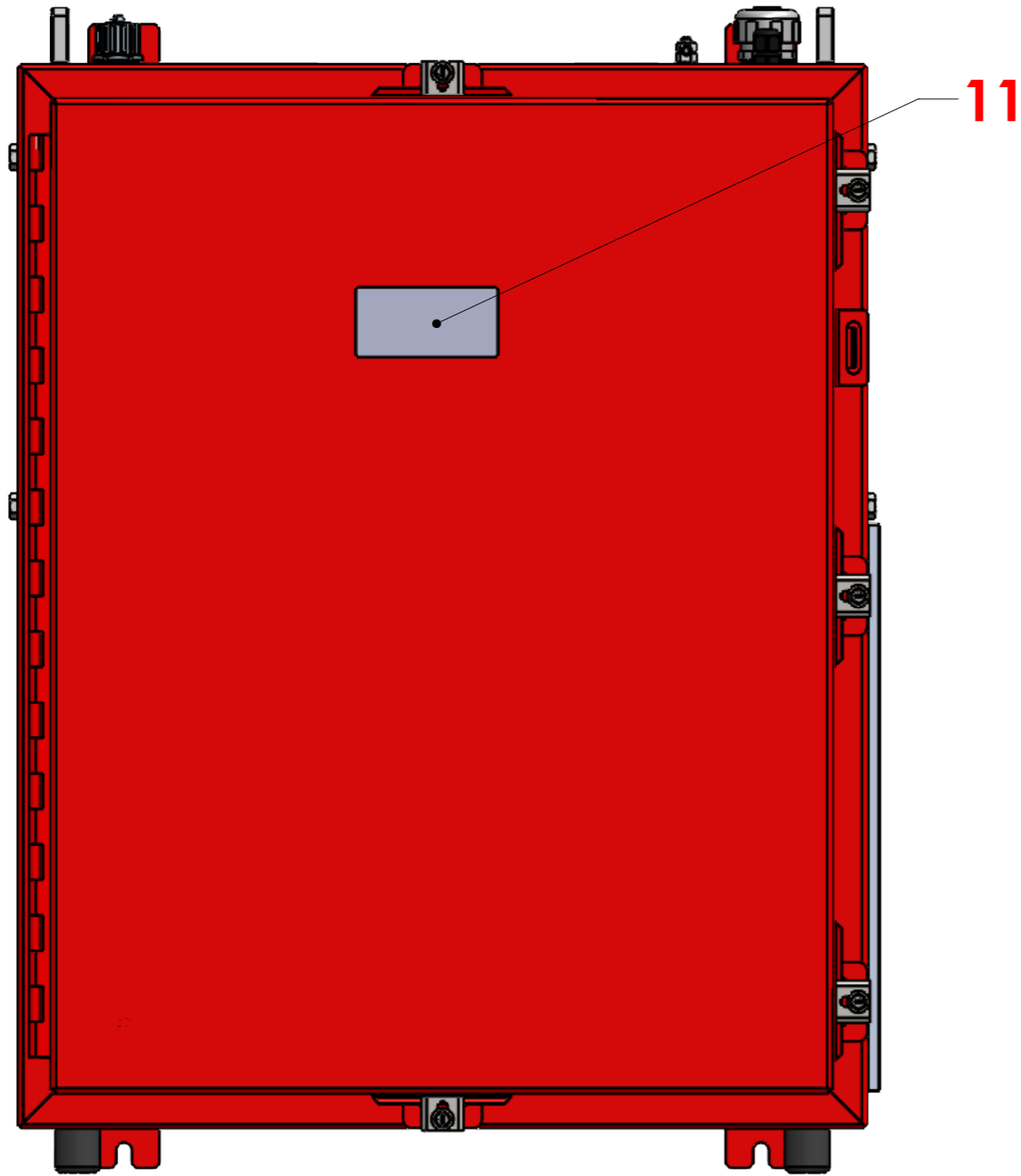


**12345678FU**

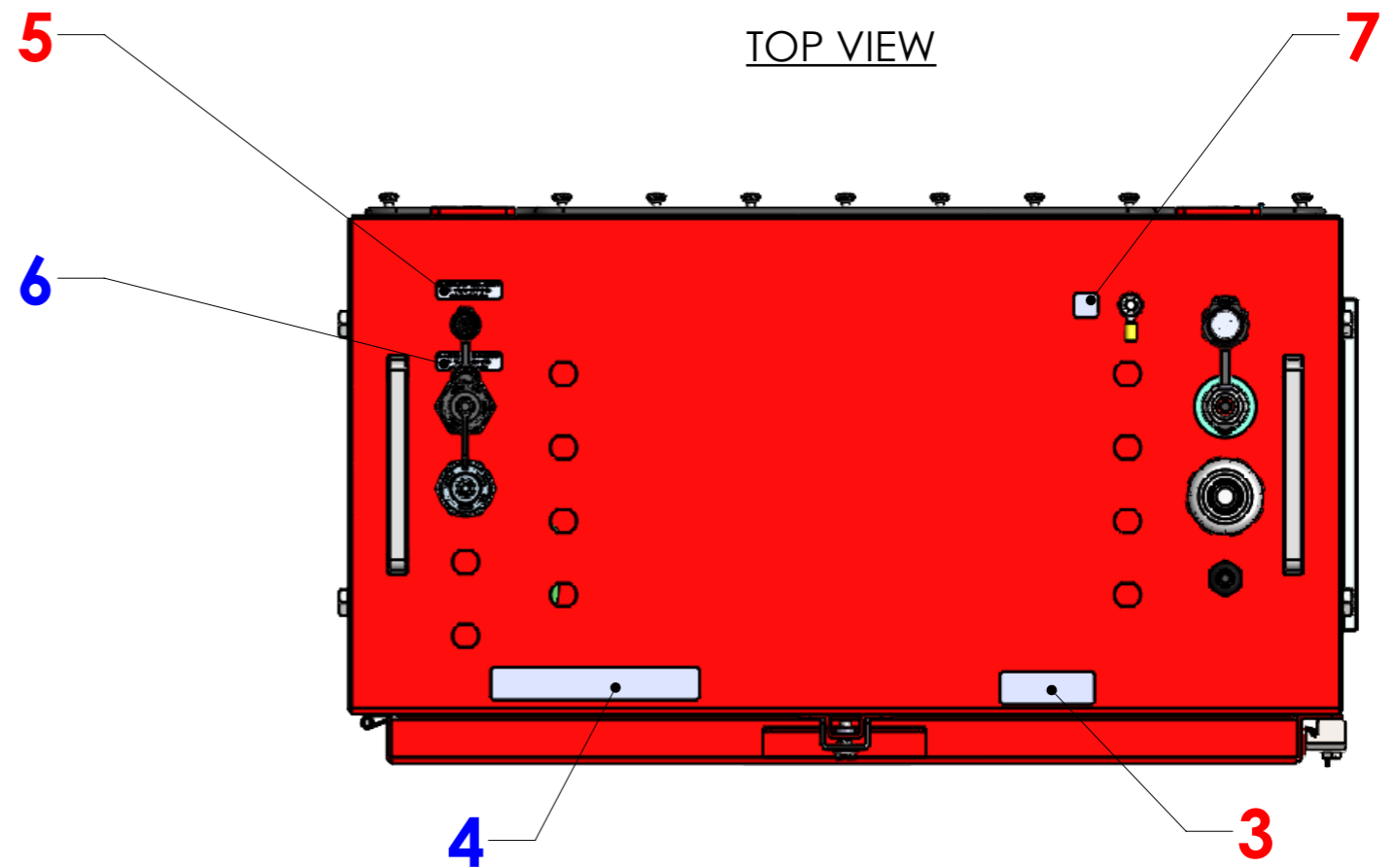
**ANSI/CAN/UL 2524**

# 26ALL-POLY - Rev.E

FRONT VIEW



TOP VIEW



Name:	26ALL-POLY	Rev:	E
Author:	JL	Date:	3/14/2023
		SHEET 1 OF 1	



BDA-FIP-POLY-SH1\_C

**5** Max. cable length used in this port: 98ft (30m)  
Max. longueur de câble utilisée dans ce port: 98 pieds (30m)

**6** Max. cable length used in this port: 98ft (30m)  
Max. longueur de câble utilisée dans ce port: 98 pieds (30m)

**8**



**10**



**7**



**9**



**3**

**WARNING:** This is **NOT** a **CONSUMER** device. It is designed for installation by an installer approved by **ISED** licensee. You **MUST** have an **ISED LICENCE** or the express consent of an **ISED** licensee to operate this device.

**4**

Fiplex Communications Inc. Install in Accordance with the applicable National Fire Protection Association Installation Standard for each type of control unit, such as **NFPA 1221**. Installer conformément à la norme d'installation de la National Fire Protection Association applicable pour chaque type d'unité de contrôle, comme la **NFPA 1221**. **WARNING:** To reduce the risk of electric shock, this product is provided with a grounding type power supply cord. Connect product to a grounded receptacle. **AVERTISSEMENT:** pour réduire le risque de choc électrique, ce produit est fourni avec un cordon d'alimentation avec mise à la terre. Connectez le produit à une prise mise à la terre.

**11**



**2**

**Part 90 Signal Boosters. This is a 90.219 CLASS B DEVICE.**  
**WARNING.** This is **NOT** a **CONSUMER** device. It is designed for installation by **FCC LICENSEES** and **QUALIFIED INSTALLERS**. You **MUST** have an **FCC LICENSE** or express consent of an FCC Licensee to operate this device. You **MUST** register Class B signal boosters (as defined in 47 CFR 90.219) online at [www.fcc.gov/signal-boosters/registration](http://www.fcc.gov/signal-boosters/registration). Unauthorized use may result in significant forfeiture penalties, including penalties in excess of \$100,000 for each continuing violation.

