



Assembled in U.S.A
FCC ID:P3TDH14-11B
IC: 8986A-DH14LBR
MODEL:HONBDA-RA



801905

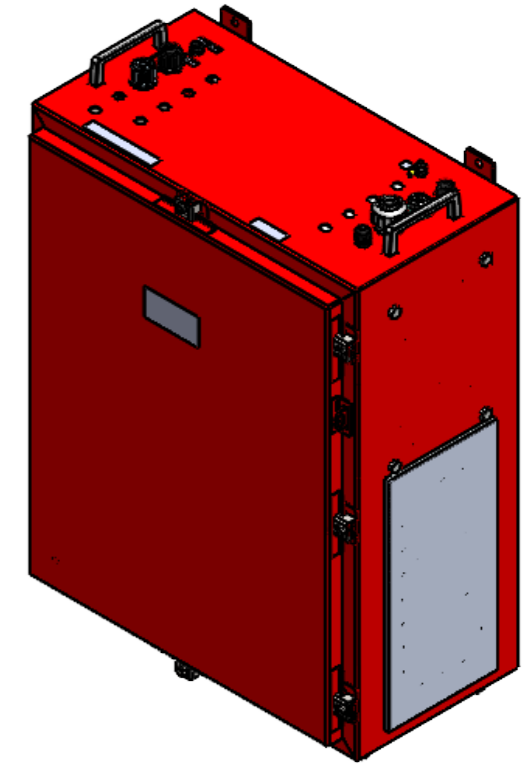
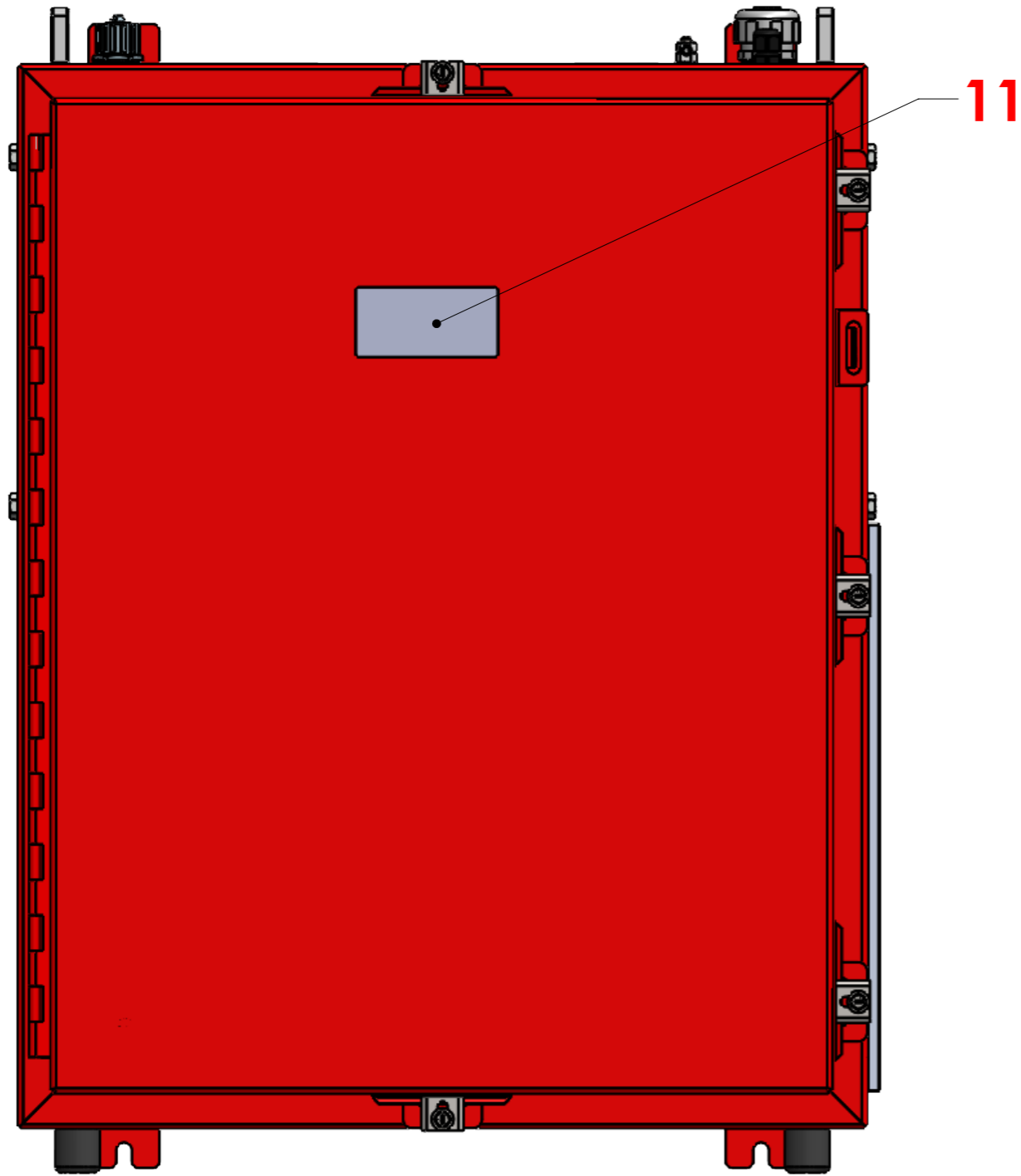


12345678FU

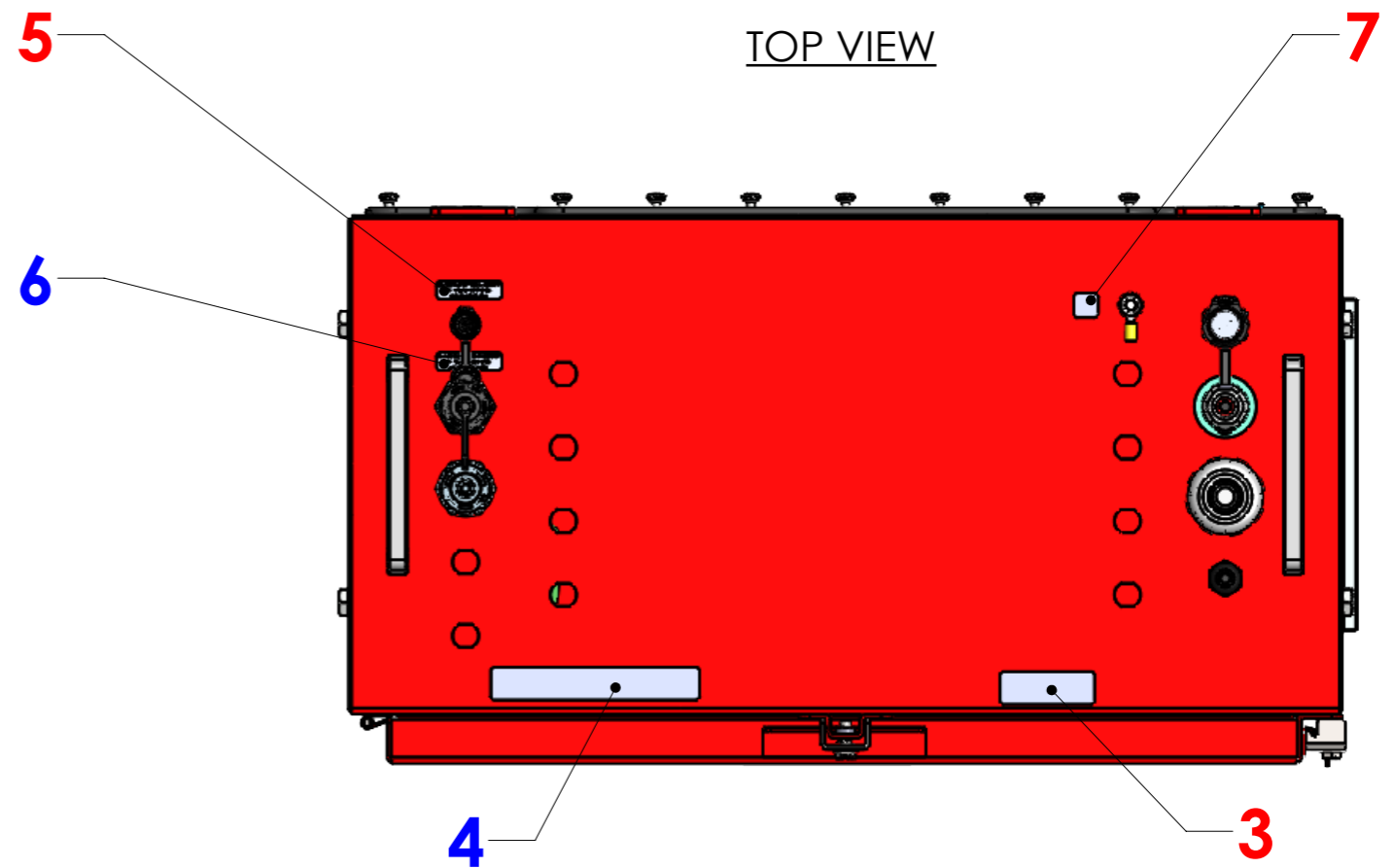
ANSI/CAN/UL 2524

26ALL-POLY - Rev.E

FRONT VIEW



TOP VIEW



Name: 26ALL-POLY	Rev: E	
Author: JL	Date: 3/14/2023	SHEET 1 OF 1



BDA-FIP-POLY-SH1_C

5 Max. cable length used in this port: 98ft (30m)
Max. longueur de câble utilisée dans ce port: 98 pieds (30m)

6 Max. cable length used in this port: 98ft (30m)
Max. longueur de câble utilisée dans ce port: 98 pieds (30m)

8



10



7



9



3

WARNING: This is **NOT** a **CONSUMER** device. It is designed for installation by an installer approved by **ISED** licensee. You **MUST** have an **ISED LICENCE** or the express consent of an **ISED** licensee to operate this device.

4

Fiplex Communications Inc. Install in Accordance with the applicable National Fire Protection Association Installation Standard for each type of control unit, such as **NFPA 1221**. Installer conformément à la norme d'installation de la National Fire Protection Association applicable pour chaque type d'unité de contrôle, comme la **NFPA 1221**. **WARNING:** To reduce the risk of electric shock, this product is provided with a grounding type power supply cord. Connect product to a grounded receptacle. **AVERTISSEMENT:** pour réduire le risque de choc électrique, ce produit est fourni avec un cordon d'alimentation avec mise à la terre. Connectez le produit à une prise mise à la terre.

11



2

Part 90 Signal Boosters. This is a 90.219 CLASS B DEVICE.
WARNING. This is **NOT** a **CONSUMER** device. It is designed for installation by **FCC LICENSEES** and **QUALIFIED INSTALLERS**. You **MUST** have an **FCC LICENSE** or express consent of an FCC Licensee to operate this device. You **MUST** register Class B signal boosters (as defined in 47 CFR 90.219) online at www.fcc.gov/signal-boosters/registration. Unauthorized use may result in significant forfeiture penalties, including penalties in excess of \$100,000 for each continuing violation.

