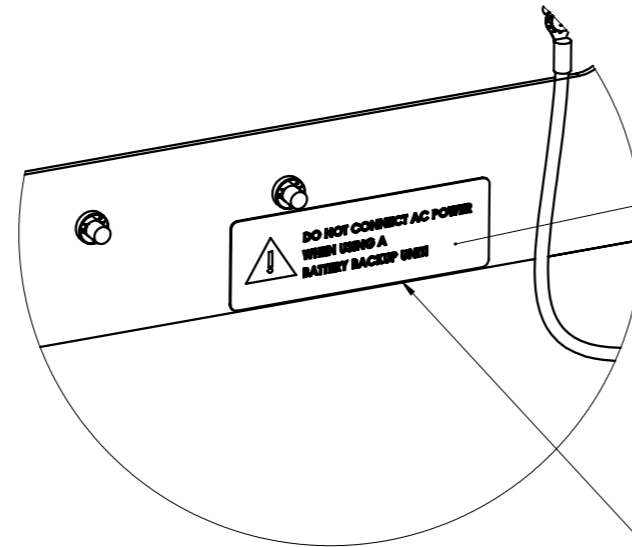
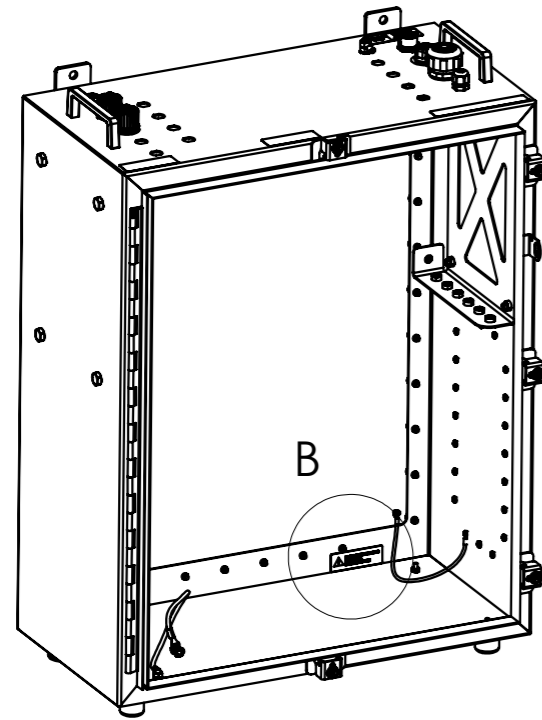


REVISION TABLE			
REV.	DESCRIPTION	DATE	APP.
D	BTTY Warning Label added	1/12/2023	

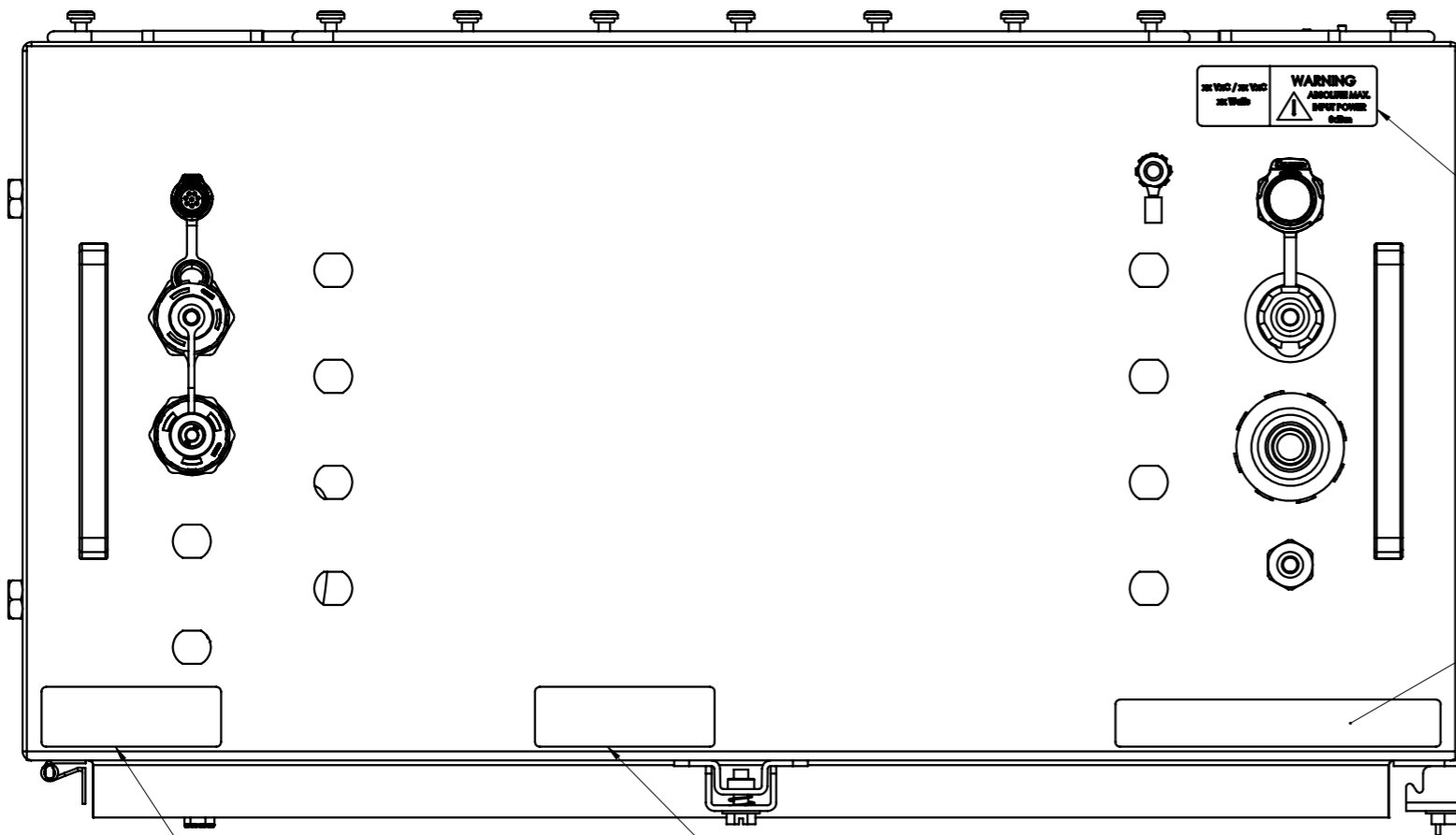
# 26ALL-LABEL - Rev.D



BTTY\_Warning (D)

NOTE: Add this label just for DH14EA

DETAIL B  
SCALE 1 : 2



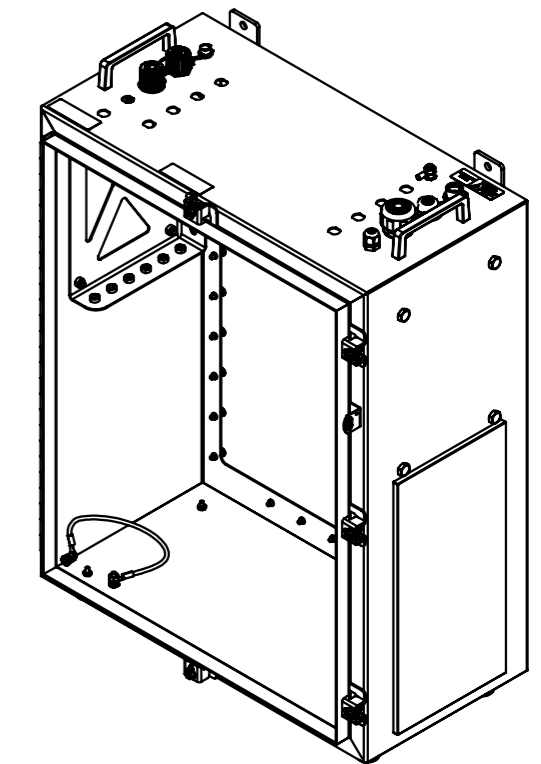
Power\_Warning\_Label

FCC Label Part 90

Product\_Label

Watertight Type -  
Wiring Diagram Label

TOP VIEW  
E= 1:3



Name: 26ALL-LABEL	Rev: D
Author: JN	Date: 3/14/2023
SHEET 1 OF 1	