



COMMUNICATIONS, INC.

Electromagnetic Devices for Radio Communications Systems

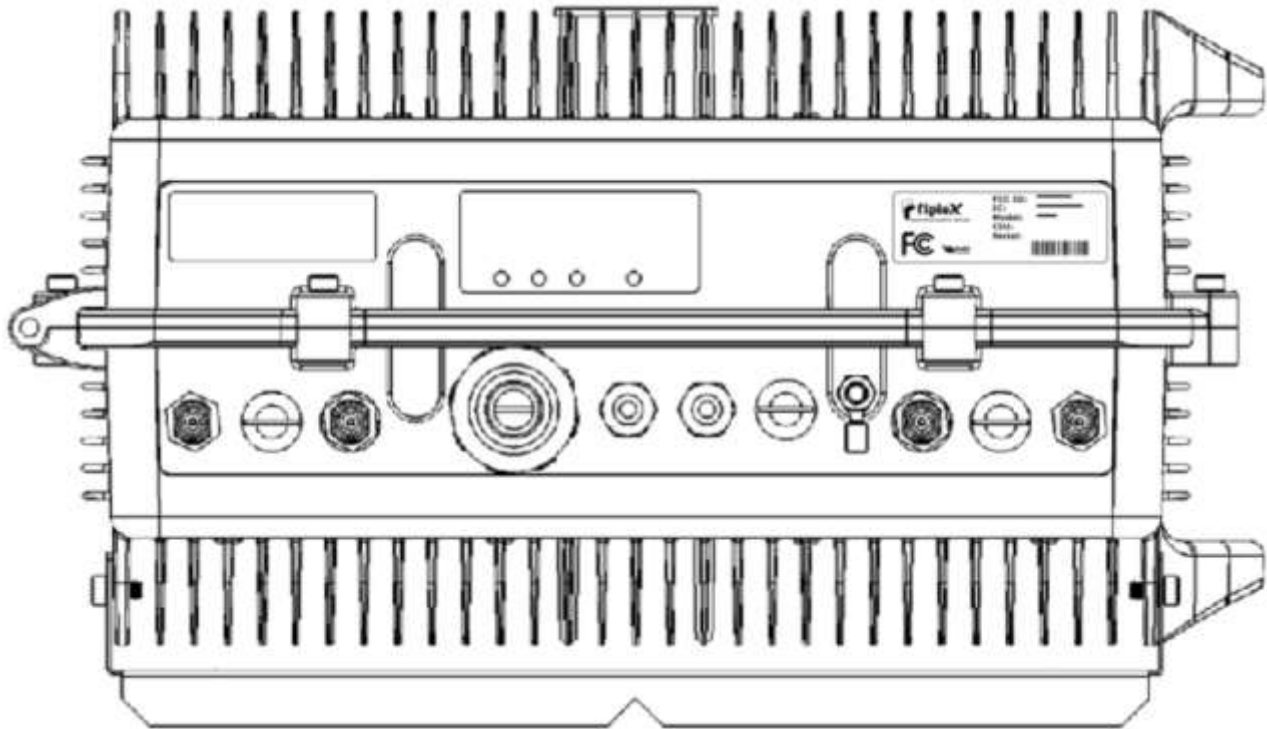
6th April, 2017

Compliance Testing LLC
1724 S. Nevada Way
Mesa, AZ 85204
USA

FCC ID: P3TDH1

Product Name: DH1

FCC ID Label location





COMMUNICATIONS, INC.

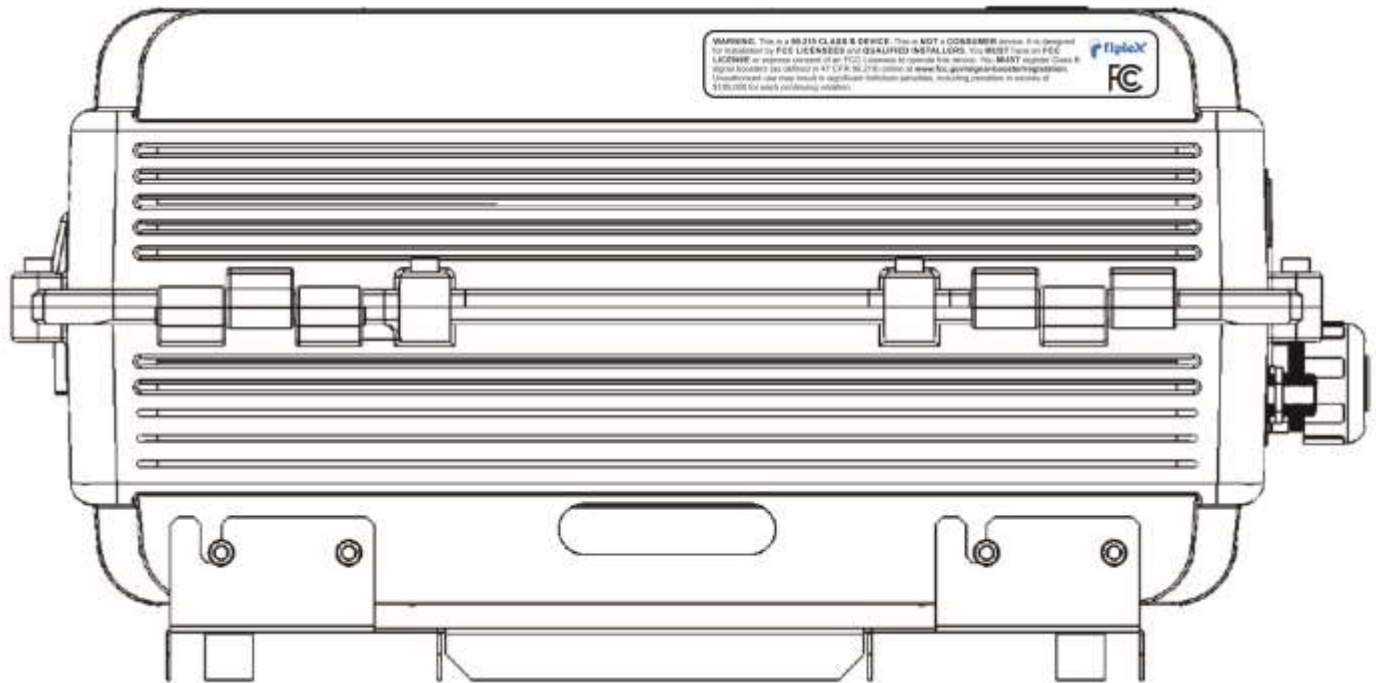
Electromagnetic Devices for Radio Communications Systems

FCC Signal Booster Warning Part 90 Label

WARNING. This is a **90.219 CLASS B DEVICE**. This is **NOT** a **CONSUMER** device. It is designed for installation by **FCC LICENSEES** and **QUALIFIED INSTALLERS**. You **MUST** have an **FCC LICENSE** or express consent of an FCC Licensee to operate this device. You **MUST** register Class B signal boosters (as defined in 47 CFR 90.219) online at www.fcc.gov/signal-booster/registration. Unauthorized use may result in significant forfeiture penalties, including penalties in excess of \$100,000 for each continuing violation.



FCC Signal Booster Warning Part 90 Label Location In Product





COMMUNICATIONS, INC.

Electromagnetic Devices for Radio Communications Systems

FCC Signal Booster Warning Part 90 Label
Location In Packaging





COMMUNICATIONS, INC.

Electromagnetic Devices for Radio Communications Systems

Signal Booster Warning Label Online And Point-Of-Sale Marketing Materials

The Part 90 Signal Booster warning label message and Class B disclosure will be also shown in online and point-of-sale marketing materials.

Dated this 6th day of April 2017

By:


_____.

Signature

Ricardo de Goycochea

Printed

Title: CEO

On behalf of: Fiplex Communications, Inc

Telephone: +1 305 884 8991