

A

B

C

D

E

F

A

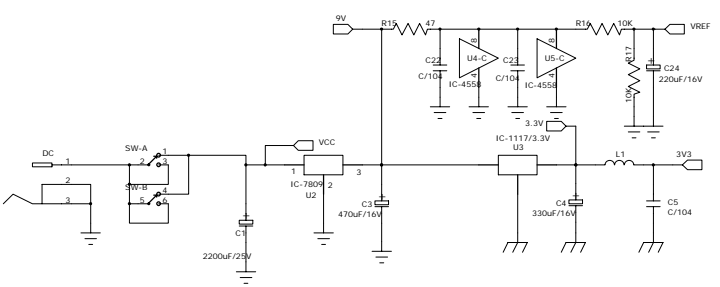
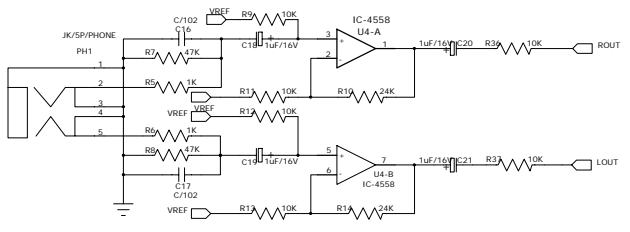
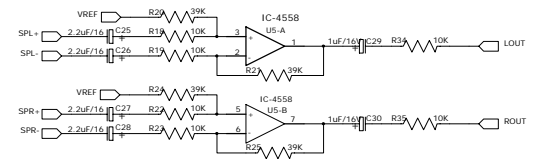
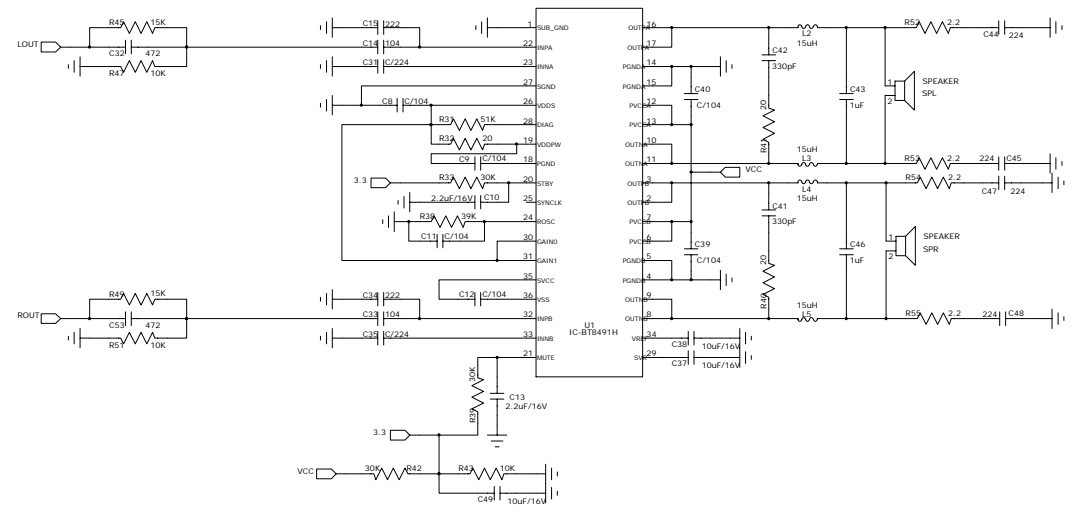
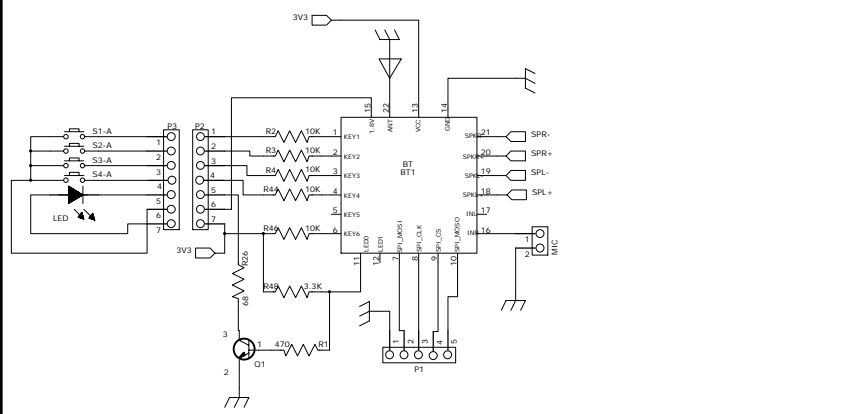
B

C

D

E

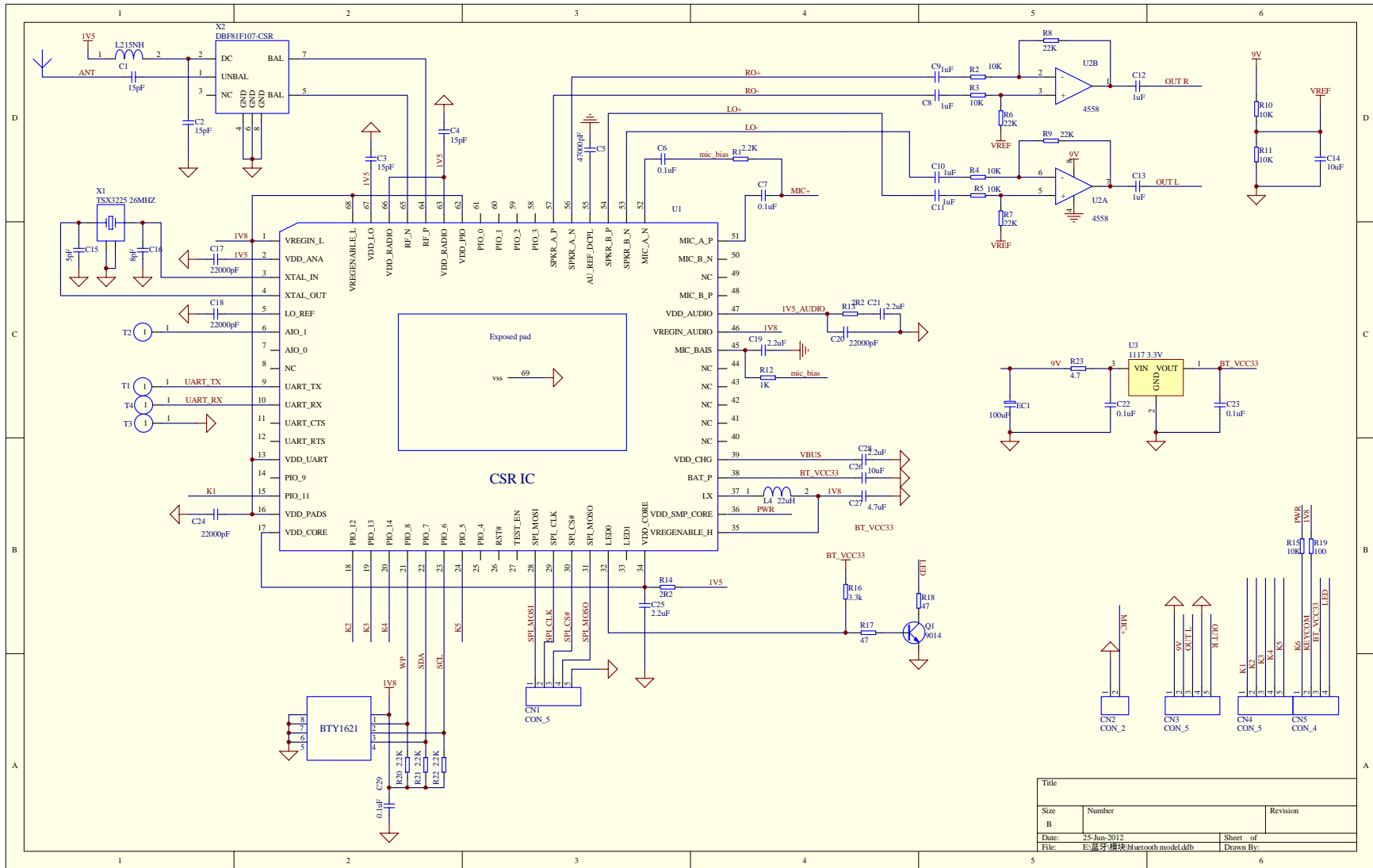
F



CUSTOMER	MODEL	SCALE
	PART NO.	SHEET 1/1

VERSION	1.0	UNIT	mm	ANGLE	DRAWN BY	李振怀
	DHD MODE NO.		CHECKED BY			
MARK	TOTAL NUMBER	DESCRIPTION	SIGNATURE		APPROVED BY	
				DATE		
DHD AUDIO Co.,Ltd			PART NO.	BM2200	SAFETY	
			PART NAME		MATERIAL	

THIS DOCUMENT IS THE PROPRIETARY PROPERTY OF DHD. IT'S USE IS AUTHORIZED ONLY FOR REPONDING TO A REQUEST FOR QUOTATION. OR FOR THE PERFORMANCE OF WORK FOR DHD. ALL QUESTIONS MUST BE REFERRED TO THE LOCAL PURCHASING DEPARTMENT OF DHD.



Title		
Size	Number	Revision
B		
Date:	25-Jun-2012	Sheet of
File:	蓝牙模块/bluetooth model.dtb	Drawn By: