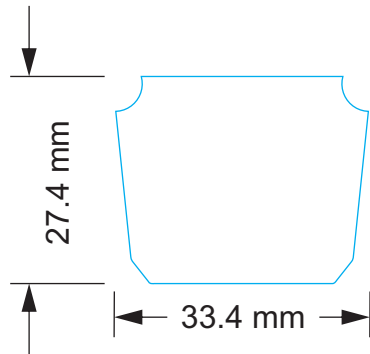



LABEL ARTWORK



Label Location



REVISION HISTORY			
DRAWING	01		
E.C.N. #	MM1009597		
ISSUED DATE	08/02/2023		
 MILWAUKEE ELECTRIC TOOL CORPORATION 13125 WEST LUSKAW ROAD • BIRKENFIELD, WI 53006			