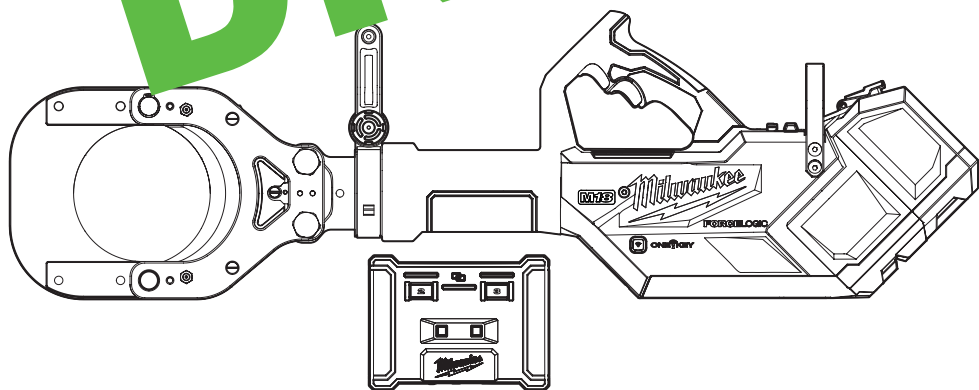


Milwaukee

OPERATOR'S MANUAL
MANUEL de L'UTILISATEUR
MANUAL OPERADOR

DRAFT



Cat. No. / No de Cat.
2875R-20

**M18™ FORCE LOGIC™ 5" UNDERGROUND CABLE CUTTER
W/ WIRELESS REMOTE**

COUPE-CÂBLE SOUTERRAIN DE 127 mm (5")

FORCE LOGIC™ M18™ AVEC TÉLÉCOMMANDE SANS FIL

CORTADOR DE CABLE SUBTERRÁNEO DE 127 mm (5")

M18™ FORCE LOGIC™ CON MANDO A DISTANCIA

⚠ WARNING To reduce the risk of injury, user must read and understand operator's manual.
⚠ AVERTISSEMENT Afin de réduire le risque de blessures, l'utilisateur doit lire et bien comprendre le manuel.
⚠ ADVERTENCIA Para reducir el riesgo de lesiones, el usuario debe leer y entender el manual.

GENERAL POWER TOOL SAFETY WARNINGS

WARNING Read all safety warnings, instructions, illustrations and specifications provided with this power tool. Failure to follow all instructions listed below may result in electric shock, fire and/or serious injury. **Save all warnings and instructions for future reference.** The term "power tool" in the warnings refers to your mains-operated (corded) power tool or battery-operated (cordless) power tool.

WORK AREA SAFETY

- **Keep work area clean and well lit.** Cluttered or dark areas invite accidents.
- **Do not operate power tools in explosive atmospheres, such as in the presence of flammable liquids, gases or dust.** Power tools create sparks which may ignite the dust or fumes.
- **Keep children and bystanders away while operating a power tool.** Distractions can cause you to lose control.

ELECTRICAL SAFETY

- **Power tool plugs must match the outlet. Never modify the plug in any way. Do not use any adapter plugs with earthed (grounded) power tools.** Unmodified plugs and matching outlets will reduce risk of electric shock.
- **Avoid body contact with earthed or grounded surfaces, such as pipes, radiators, ranges and refrigerators.** There is an increased risk of electric shock if your body is earthed or grounded.
- **Do not expose power tools to rain or wet conditions.** Water entering a power tool will increase the risk of electric shock.
- **Do not abuse the cord. Never use the cord for carrying, pulling or unplugging the power tool. Keep cord away from heat, oil, sharp edges or moving parts.** Damaged or entangled cords increase the risk of electric shock.
- **When operating a power tool outdoors, use an extension cord suitable for outdoor use.** Use of a cord suitable for outdoor use reduces the risk of electric shock.
- **If operating a power tool in a damp location is unavoidable, use a ground fault circuit interrupter (GFCI) protected supply.** Use of an GFCI reduces the risk of electric shock.

PERSONAL SAFETY

- **Stay alert, watch what you are doing and use common sense when operating a power tool. Do not use a power tool while you are tired or under the influence of drugs, alcohol or medication.** A moment of inattention while operating power tools may result in serious personal injury.
- **Use personal protective equipment. Always wear eye protection.** Protective equipment such as a dust mask, non-skid safety shoes, hard hat or hearing protection used for appropriate conditions will reduce personal injuries.
- **Prevent unintentional starting. Ensure the switch is in the off-position before connecting to power source and/or battery pack, picking up or carrying the tool.** Carrying power tools with your finger on the switch or energizing power tools that have the switch on invites accidents.

- **Remove any adjusting key or wrench before turning the power tool on.** A wrench or a key left attached to a rotating part of the power tool may result in personal injury.
- **Do not overreach. Keep proper footing and balance at all times.** This enables better control of the power tool in unexpected situations.
- **Dress properly. Do not wear loose clothing or jewelry. Keep your hair and clothing away from moving parts.** Loose clothes, jewelry or long hair can be caught in moving parts.
- **If devices are provided for the connection of dust extraction and collection facilities, ensure these are connected and properly used.** Use of dust collection can reduce dust-related hazards.
- **Do not let familiarity gained from frequent use of tools allow you to become complacent and ignore tool safety principles.** A careless action can cause severe injury within a fraction of a second.

POWER TOOL USE AND CARE

- **Do not force the power tool. Use the correct power tool for your application.** The correct power tool will do the job better and safer at the rate for which it was designed.
 - **Do not use the power tool if the switch does not turn it on and off.** Any power tool that cannot be controlled with the switch is dangerous and must be repaired.
 - **Disconnect the plug from the power source and/ or remove the battery pack, if detachable, from the power tool before making any adjustments, changing accessories, or storing power tools.** Such preventive safety measures reduce the risk of starting the power tool accidentally.
 - **Store idle power tools out of the reach of children and do not allow persons unfamiliar with the power tool or these instructions to operate the power tool.** Power tools are dangerous in the hands of untrained users.
 - **Maintain power tools and accessories. Check for misalignment or binding of moving parts, breakage of parts and any other condition that may affect the power tool's operation. If damaged, have the power tool repaired before use.** Many accidents are caused by poorly maintained power tools.
 - **Keep cutting tools sharp and clean.** Properly maintained cutting tools with sharp cutting edges are less likely to bind and are easier to control.
 - **Use the power tool, accessories and tool bits etc. in accordance with these instructions, taking into account the working conditions and the work to be performed.** Use of the power tool for operations different from those intended could result in a hazardous situation.
 - **Keep handles and grasping surfaces clean and free from oil and grease.** Oil and grease on handles and grasping surfaces do not allow safe handling and control of the tool.
- BATTERY USE**
- **Recharge with the charger specified by the manufacturer.** Use of an unapproved charger or type of battery pack may create a risk of fire when used with another battery pack.
 - **Use power packs with specifically designed battery packs.** Use of any other battery packs may create a risk of injury and fire.

- When battery pack is not in use, keep it away from other metal objects, like paper clips, coins, keys, nails, screws or other small metal objects, that can make a connection from one terminal to another. Shorting the battery terminals together may cause burns or a fire.
- Under abusive conditions, liquid may be ejected from the battery; avoid contact. If contact accidentally occurs, flush with water. If liquid contacts eyes, additionally seek medical help. Liquid ejected from the battery may cause irritation or burns.
- Do not use a battery pack or tool that is damaged or modified. Damaged or modified batteries may exhibit unpredictable behavior resulting in fire, explosion or risk of injury.
- Do not expose a battery pack or tool to fire or excessive temperature. Exposure to fire or temperature above 265°F (130°C) may cause explosion.
- Follow all charging instructions and do not charge the battery pack or tool outside the temperature range specified in the instructions. Charging improperly or at temperatures outside the specified range may damage the battery and increase the risk of fire.

SERVICE

- Have your power tool serviced by a qualified repair person using only identical replacement parts. This will ensure that the safety of the power tool is maintained.
- Never service damaged battery packs. Service of battery packs should only be performed by the manufacturer or authorized service providers.

SPECIFIC SAFETY RULES FOR CABLE CUTTER

- Keep hands away from all cutting edges and moving parts. Laceration and amputation can occur.
- To reduce the risk of injury, wear safety goggles or glasses with side shields when operating or servicing the tool. Material may crack or shatter.
- WARNING** To reduce the risk of arc flash, electric shock and property damage, work on deenergized lines when possible. Tool is not insulated. Should work on energized lines be required, ensure all proper precautions, including those contained in NFPA 70E, have been taken first.
- Do not use on live circuits. If a circuit is cut, always return the tool to the service center for evaluation.
- Use auxiliary handle(s), if supplied, with the tool. Loss of control can cause personal injury.
- When using with lanyards, do not exceed the maximum capacity of the lanyard. Always determine the weight of the product, with all accessories, when selecting the appropriate lanyard system. Exceeding maximum capacity may result in serious personal injury. See specifications for tool and battery weight.
- For best results, use only with energy absorbing lanyards. Ropes, straps or chains may break and cause failure. Do not use with lanyards at full tension.
- Chemical Burn Hazard. Keep coin cell battery away from children.

- Always use common sense and be cautious when using tools. It is not possible to anticipate every situation that could result in a dangerous outcome. Do not use this tool if you do not understand these operating instructions or you feel the work is beyond your capability; contact Milwaukee Tool or a trained professional for additional information or training.
- Maintain labels and nameplates. These carry important information. If unreadable or missing, contact a MILWAUKEE service facility for a free replacement.

WARNING Some dust created by power sanding, sawing, grinding, drilling, and other construction activities contains chemicals known to cause cancer, birth defects or other reproductive harm. Some examples of these chemicals are:

- lead from lead-based paint
- crystalline silica from bricks and cement and other masonry products, and
- arsenic and chromium from chemically-treated lumber.

Your risk from these exposures varies, depending on how often you do this type of work. To reduce your exposure to these chemicals: work in a well ventilated area, and work with approved safety equipment, such as those dust masks that are specially designed to filter out microscopic particles.

FCC Federal Communications Commission

Pursuant to part 15.21 of the FCC Rules, you are cautioned that changes or modifications not expressly approved by the party responsible for compliance could void your authority to operate the product.

This equipment has been tested and found to comply with the limits for a Class B digital device, pursuant to Part 15 of the FCC Rules. These limits are designed to provide reasonable protection against harmful interference in a residential installation. This equipment generates, uses and can radiate radio frequency energy and, if not installed and used in accordance with the instructions, may cause harmful interference to radio communications. However, there is no guarantee that interference will not occur in a particular installation. If this equipment does cause harmful interference to radio or television reception, which can be determined by turning the equipment off and on, the user is encouraged to try to correct the interference by one or more of the following measures:

- Reorient or relocate the receiving antenna.
- Increase the separation between the equipment and receiver.
- Connect the equipment into an outlet on a circuit different from that to which the receiver is connected.
- Consult the dealer or an experienced radio/TV technician for help.

This device complies with part 15 of the FCC Rules and ISSED-Canada's license exempt RSS standards. Operation is subject to the following two conditions: 1) This device may not cause harmful interference, and 2) This device must accept any interference received, including interference that may cause undesired operation.

This device has been evaluated and found to comply with the FCC and ISSED Canada RF exposure guidelines.

SYMBOLLOGY



Volts



Direct Current



WARNING To reduce the risk of arc flash, electric shock and property damage, work on deenergized lines when possible. Tool is not insulated. Should work on energized lines be required, ensure all proper precautions, including those contained in NFPA 70E, have been taken first.



WARNING Keep hands away from all cutting edges and moving parts. Laceration and amputation can occur.



To reduce the risk of injury, wear safety goggles or glasses with side shields when operating or servicing the tool.



Read Operator's Manual



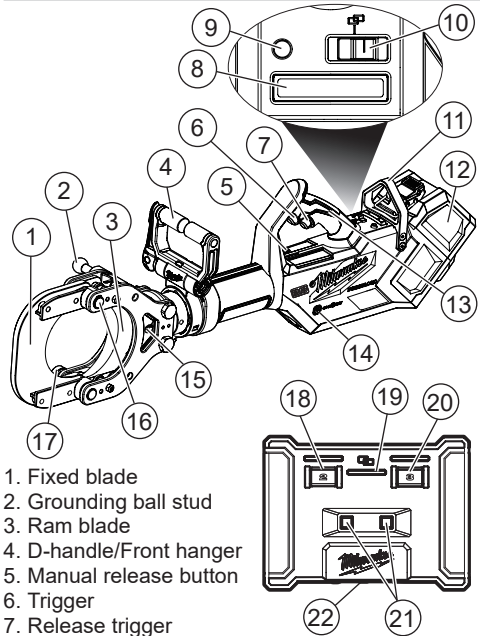
UL Listing for Canada and U.S.

SPECIFICATIONS

Cat. No.	2875R-20
Volts.....	18 DC
Battery Type	M18™
Charger Type.....	M18™
High Voltage Field Rating.....	34.5 kV
Force Output.....	13.1T
Maximum Cable Cutting Diameter.....	5" (127 mm)
Cable materials*	Communications, Armored, Lead Sheath, Copper and Aluminum Power Cables
Module/FCC ID.....	P36-2875/25187-2875
Weight	36 lbs (Tool-Only)
Weight	40 lbs (With M18™ HD12.0 battery pack)
Recommended Ambient Operating Temperature.....	0°F to 125°F
Replacement Blades Cat. No.	49-16-2875
Remote Cat. No.	14-46-9995
Volts.....	6 DC (1.5 V AA x 4)
FCC ID.....	P36-22802875/25187-22802875

* Do not cut steel ropes, ground rod, guy wire, or steel-reinforced cable (ACSR)

FUNCTIONAL DESCRIPTION



1. Fixed blade
2. Grounding ball stud
3. Ram blade
4. D-handle/Front hanger
5. Manual release button
6. Trigger
7. Release trigger
8. Beacon LED
9. Remote lockout button
10. Mode selector
11. Rear hanger
12. Battery door
13. Handle
14. ONE-KEY™ LED
15. Ram blade screw
16. Jaw retaining clevis lever/snap ring
17. Front jaw locking knob
18. Button 2
19. Connection LED
20. Remote cut indicators
21. Button 3
22. Remote power switch

ASSEMBLY

WARNING Recharge only with the charger specified for the battery. For specific charging instructions, read the operator's manual supplied with your charger and battery.

Inserting/Removing the Battery

WARNING Always remove the battery pack any time the tool is not in use.

To **insert** the battery:

1. Lift the battery compartment latch and open the battery compartment.
2. Slide the pack into the tool. Make sure it latches securely into place.
3. Close the battery compartment and relatch securely.

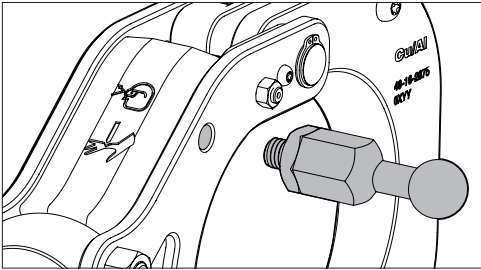
To **remove** the battery:

1. Lift the battery compartment latch and open the battery compartment.
2. Push in the release buttons and pull the battery pack out of the tool.
3. Close the battery compartment and relatch securely.

WARNING Only use accessories specifically recommended for this tool. Others may be hazardous.

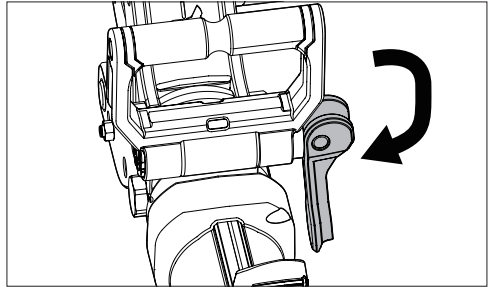
Installing the Grounding Ball Stud

When grounding the tool is required, screw the grounding ball stud into one of the four locations in the cutting head. Hand tighten securely.

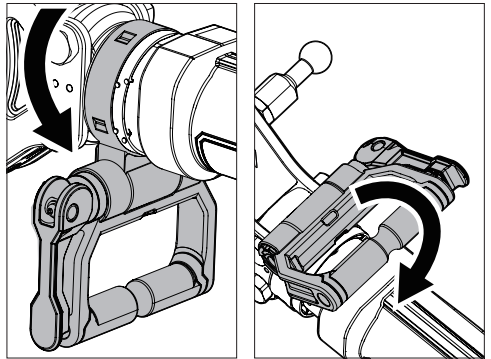


Adjusting the D-handle

1. To **adjust** the D-handle, open the locking lever.



2. Rotate the D-handle around the tool and/or tilt the handle forward/backward to the desired position.



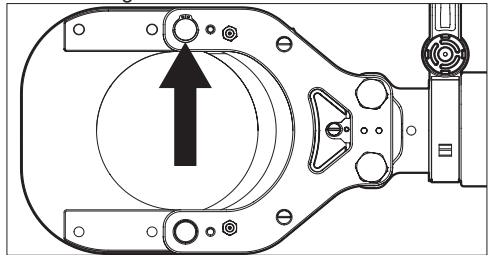
3. Close the locking lever to secure in place.

Changing the Blades

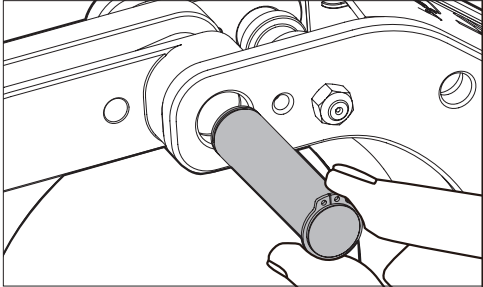
CAUTION Blades are sharp. Always wear protective gloves when handling the blades.

Replace the blades when they become chipped or damaged. Always replace blades as a set. Use only MILWAUKEE blades. Refer to "Specifications" for replacement blade numbers.

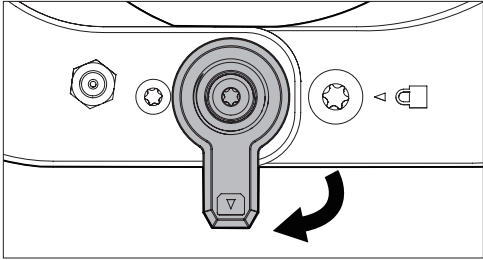
1. **WARNING!** Remove battery to avoid starting the tool.
2. Remove the snap ring with a snap ring pliers. Retain ring.



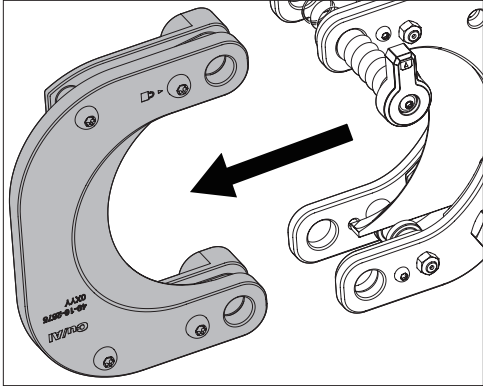
3. From the reverse side, pull out the pin from the upper jaw. Retain pin.



4. To detach the lower jaw, push in and rotate the front jaw locking knob to the unlock position (the spring will extend the knob outward).



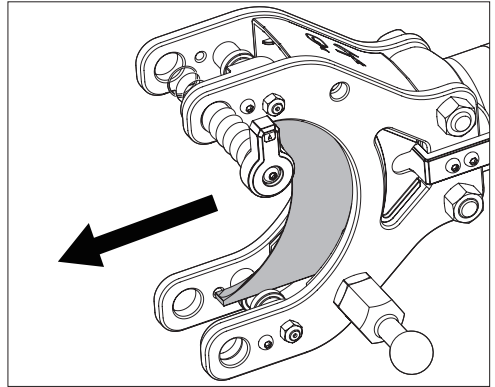
5. Carefully remove the fixed blade.



6. Remove the ram blade screw.

7. Carefully remove the ram blade.

NOTE: Take notice of the blade orientation so the new blades can be installed the same way. The blades should be oriented so the flat sides contact and the bevels face away from each other, like a pair of scissors.



8. Install the new fixed blade:

- Line up the holes of the upper jaw, insert the pin and secure with the snap ring.

- Line up the holes of the lower jaw, push in the front jaw locking knob and rotate to lock in place.

9. Install the new ram blade. The blades should be oriented so the flat sides contact and the bevels face away from each other, like a pair of scissors.

10. Install the ram blade screw.

ONE-KEY™

To learn more about the ONE-KEY™ functionality for this tool, go to milwaukeetool.com/One-Key. To download the ONE-KEY™ app, visit the App Store® or Google Play™ from your smart device.

ONE-KEY™ Indicator

Solid Blue	Wireless mode is active and ready to be configured via the ONE-KEY™ app.
Flashing Blue	Tool is actively communicating with the ONE-KEY™ app.
Flashing Red	Tool is in security lockout and can be unlocked by the owner via the ONE-KEY™ app.

OPERATION

WARNING To reduce the risk of arc flash, electric shock and property damage, work on deenergized lines when possible. Tool is not insulated. Should work on energized lines be required, ensure all proper precautions, including those contained in NFPA 70E, have been taken first.

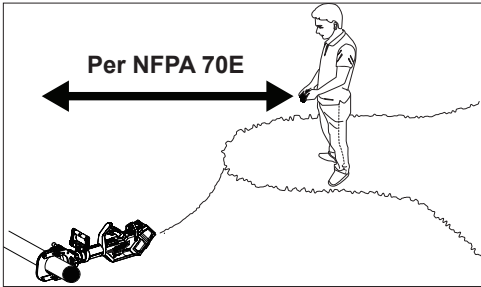
Keep hands away from all cutting edges and moving parts. Laceration and amputation can occur.

To reduce the risk of injury, always wear proper eye protection marked to comply with ANSI Z87.1.


Remote Cutting

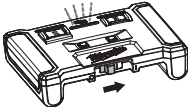
- Before cutting, ensure blades are properly installed.
- Remote cutting requires using an M18™ REDLITHIUM™ 8.0 Ah battery or higher.
- When the battery charge is insufficient to complete a cut, remote cutting will be disabled. The LEDs on the remote will display as shown.
- To hang the tool, use the front handle and tool hanger to set the tool in a hanging position.
- Insert the workpiece squarely between the blades. Do not attempt to make angled cuts as it will damage the workpiece and blades.

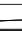
WARNING! During the cut, remain outside the arc flash boundary in accordance with NFPA 70E for the system being cut.

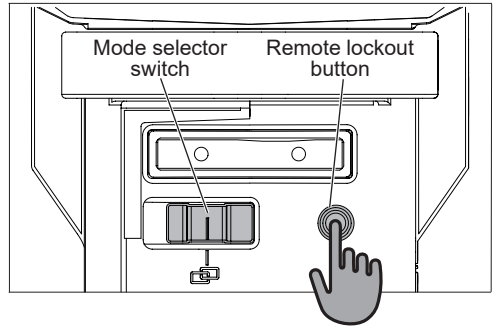


All steps must be completed in order! Once started, steps 1-8 must be completed with no more than 5 minutes between each step. If more than 5 minutes occurs, reset and begin again.

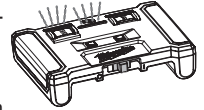
1. On the remote, slide the remote power switch to ON. The connection LED  will flash.



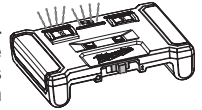
2. On the tool, press the remote lockout button down and slide the mode selector switch to  (remote cut mode). The beacon LED will begin flashing.



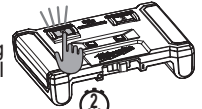
On the remote, the connection LED will continue flashing and the **2** button LED will begin flashing red.



3. Move away from the tool in accordance with NFPA 70E.
4. On the remote, the connection LED will blink while searching for a connection to the tool. When a connection is made/found the connection LED will become solid.



5. Press **and hold** the **2** button until the **2** button flashing LED becomes solid (The tool is now armed).



6. Release the **2** button. The **3** button LED will begin flashing red.



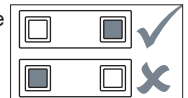
7. Press **and hold** the **3** button until the **3** button flashing LED becomes solid.



8. When the **3** button is released, the cutting sequence on the tool will begin. Once started, the cutting sequence will not be able to be stopped. The beacon LED will turn solid during the cutting sequence.

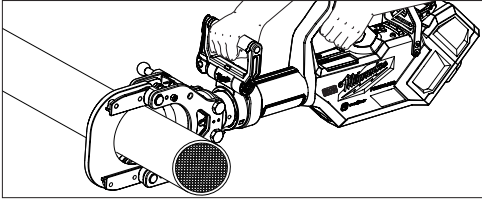
9. The tool will perform the cutting process. On the tool, the beacon LED will turn solid while cutting. When the cutting process is completed, the **3** button LED will turn off.

10. When the cut is complete, the cut indicator will light:
Green = Done Cutting
Red = Cut Failed



Cutting without Remote

- Before cutting, ensure blades are properly installed.
- The tool can be set on the ground or hand held during use.
- Insert the workpiece squarely between the blades. Do not attempt to make angled cuts as it will damage the workpiece and blades.
- Ensure the remote cut switch is set to manual.



1. Grasp handles firmly and pull and hold the trigger through the operation. When the cut is complete or the tool shuts off, release the trigger. An LED will light when the trigger is pulled. **NOTE:** Tool and workpiece may move slightly during the cut.
2. When the cut is complete, pull the release trigger to open the blades. The ram blade will return to the starting position.

WARNING To reduce the risk of injury, only cut recommended materials for the blades (see "Specifications"). Do not attempt to cut other materials.

Cutting Tips

- Cut farther in from the end of the material to avoid crooked cuts.
- Do not attempt angled cuts as it will damage the blades. Hold the material squarely between the blades.
- Cut clean material to extend the blade life. Wipe dirt and debris from material and blades before beginning the cut.

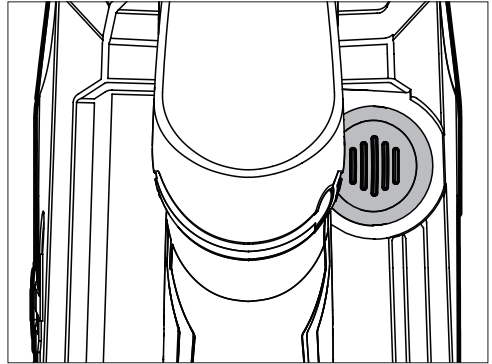
Jammed Blades

Dirt and debris can cause the blades to become jammed together after a cut. If the blades do not open when the release trigger is pulled:

1. Press and hold the release trigger to ensure the tool has reset.
2. **WARNING!** Remove battery to avoid starting the tool.
3. While pulling the release trigger, use a rubber mallet to tap the ram blade until the blades open.
4. Clean any dirt and debris from the blades before starting another cut.

Manual Release Button

If the jaws need to be opened without completing the cycle, press and hold the manual release button. Hold tool securely until the ram blade retracts fully.



MAINTENANCE

WARNING To reduce the risk of injury, always unplug the charger and remove the battery pack from the charger or tool before performing any maintenance. Never disassemble the battery pack, charger, or tool, except as provided in these instructions. Contact a MILWAUKEE service facility for all other repairs.

Maintaining Tool

Keep your tool, battery pack and charger in good repair by adopting a regular maintenance program. Inspect your tool for issues such as undue noise, misalignment or binding of moving parts, breakage of parts, or any other condition that may affect the tool operation. Return the tool, battery pack, and charger to a MILWAUKEE service facility for repair. After six months to one year, depending on use, return the tool, battery pack and charger to a MILWAUKEE service facility for inspection.

If the tool does not start or operate at full power with a fully charged battery pack, clean the contacts on the battery pack. If the tool still does not work properly, return the tool, charger and battery pack, to a MILWAUKEE service facility for repairs.

NOTE: Refer to your ONE-KEY™ App for additional service interval information.

Cutting Head and Blades

Inspect the cutting head and blades for cracks or damage. Do not use damaged cutting head or blades. Replace the blades when they become chipped or damaged.

Pairing a New Remote

For pairing instructions, refer to the Service Parts List available on the product page at MilwaukeeTool.com.

Changing the Remote Batteries

1. On the remote's back side, remove the battery covers to expose the batteries.
2. Replace with AA batteries.
3. Place the battery covers back onto remote.

Service Interval

Refer to the ONE-KEY™ App for information regarding necessary servicing, such as fluid replacement. Return the tool to a MILWAUKEE service facility for all repairs and maintenance.

ONE-KEY™

WARNING Chemical Burn Hazard.

This device contains a lithium button/coin cell battery. A new or used battery can cause severe internal burns and lead to death in as little as 2 hours if swallowed or enters the body. Always secure the battery cover. If it does not close securely, stop using the device, remove the batteries, and keep it away from children. If you think batteries may have been swallowed or entered the body, seek immediate medical attention.



Internal Coin Cell Battery

An internal coin cell battery is used to facilitate full ONE-KEY™ functionality.

To replace the coin cell battery:

1. **WARNING!** Remove tool's battery to avoid starting the tool.
2. Loosen the screw(s) and open the coin cell battery door.
3. Remove the old coin cell battery, keep it away from children, and dispose of it properly.
4. Insert the new coin cell battery (3V CR2032), with the positive side facing up.
5. Close the battery door and tighten the screw(s) securely.

WARNING To reduce the risk of personal injury and damage, never immerse your tool, battery pack or charger in liquid or allow a liquid to flow inside them.

Cleaning

Clean dust and debris from any vents. Keep tool clean, dry and free of oil or grease. Use only mild soap and a damp cloth to clean, since certain cleaning agents and solvents are harmful to plastics and other insulated parts. Some of these include gasoline, turpentine, lacquer thinner, paint thinner, chlorinated cleaning solvents, ammonia and household detergents containing ammonia. Never use flammable or combustible solvents around tools.

Repairs

For repairs, return the tool, battery pack and charger to the nearest authorized service center.

ACCESSORIES

WARNING Use only recommended accessories. Others may be hazardous.

For a complete listing of accessories, go online to www.milwaukeeetool.com or contact a distributor.

SERVICE - UNITED STATES

1-800-SAWDUST (1.800.729.3878)

Monday-Friday, 7:00 AM - 6:30 PM CST

or visit www.milwaukeeetool.com

Contact Corporate After Sales Service Technical Support with technical, service/repair, or warranty questions.

Email: metproductsupport@milwaukeeetool.com

Become a Heavy Duty Club Member at www.milwaukeeetool.com to receive important notifications regarding your tool purchases.

SERVICE - CANADA

Milwaukee Tool (Canada) Ltd

1.877.948.2360

Monday-Friday, 7:00 AM - 4:30 PM CST

or visit www.milwaukeeetool.ca

LIMITED WARRANTY USA & CANADA

This MILWAUKEE power tool* is warranted to the original purchaser from an authorized MILWAUKEE distributor only to be free from defects in material and workmanship. Subject to certain exceptions, MILWAUKEE will repair or replace any part on this power tool which, after examination, is determined by MILWAUKEE to be defective in material or workmanship for a period of five (5) years after the date of purchase unless otherwise noted. Return of the power tool to a MILWAUKEE factory Service Center location or MILWAUKEE Authorized Service Station, freight prepaid and insured, is required. A copy of the proof of purchase should be included with the return product. This warranty does not apply to damage that MILWAUKEE determines to be from repairs made or attempted by anyone other than MILWAUKEE authorized personnel, misuse, alterations, abuse, normal wear and tear, lack of maintenance, or accidents.

Normal Wear: Many power tools need periodic parts replacement and service to achieve best performance. This warranty does not cover repair when normal use has exhausted the life of a part including, but not limited to, chucks, brushes, cords, saw shoes, blade clamps, o-rings, seals, bumpers, driver blades, pistons, strikers, lifters, and bumper cover washers.

*This warranty does not cover battery packs or all power tools. Refer to the separate and distinct warranties available for those products. The warranty period for the LED in the LED Work Light (49-24-0171) and the LED Upgrade Bulb (49-81-0090) is the lifetime of the product subject to the limitations above. If during normal use the LED or LED Upgrade Bulb fails, the part will be replaced free of charge.

Warranty Registration is not necessary to obtain the applicable warranty on a MILWAUKEE power tool product. The manufacturing date of the product will be used to determine the warranty period if no proof of purchase is provided at the time warranty service is requested.

ACCEPTANCE OF THE EXCLUSIVE REPAIR AND REPLACEMENT REMEDIES DESCRIBED HEREIN IS A CONDITION OF THE CONTRACT FOR THE PURCHASE OF EVERY MILWAUKEE PRODUCT. IF YOU DO NOT AGREE TO THIS CONDITION, YOU SHOULD NOT PURCHASE THE PRODUCT. IN NO EVENT SHALL MILWAUKEE BE LIABLE FOR ANY INCIDENTAL, SPECIAL, CONSEQUENTIAL, OR PUNITIVE DAMAGES, OR FOR ANY COSTS, ATTORNEY FEES, EXPENSES, LOSSES OR DELAYS ALLEGED TO BE AS A CONSEQUENCE OF ANY DAMAGE TO, FAILURE OF, OR DEFECT IN ANY PRODUCT INCLUDING, BUT NOT LIMITED TO, ANY CLAIMS FOR LOSS OF PROFITS. SOME STATES DO NOT ALLOW THE EXCLUSION OR LIMITATION OF INCIDENTAL OR CONSEQUENTIAL DAMAGES, SO THE ABOVE LIMITATION OR EXCLUSION MAY NOT APPLY TO YOU. THIS WARRANTY IS EXCLUSIVE AND IN LIEU OF ALL OTHER EXPRESS WARRANTIES, WRITTEN OR ORAL. TO THE EXTENT PERMITTED BY LAW, MILWAUKEE DISCLAIMS ANY IMPLIED WARRANTIES, INCLUDING WITHOUT LIMITATION ANY IMPLIED WARRANTY OF MERCHANTABILITY OR FITNESS FOR A PARTICULAR USE OR PURPOSE; TO THE EXTENT SUCH DISCLAIMER IS NOT PERMITTED BY LAW, SUCH IMPLIED WARRANTIES ARE LIMITED TO THE DURATION OF THE APPLICABLE EXPRESS WARRANTY AS DESCRIBED ABOVE. SOME STATES DO NOT ALLOW LIMITATIONS ON HOW LONG AN IMPLIED WARRANTY LASTS, SO THE ABOVE LIMITATION MAY NOT APPLY TO YOU. THIS WARRANTY GIVES YOU SPECIFIC LEGAL RIGHTS, AND YOU MAY ALSO HAVE OTHER RIGHTS WHICH VARY FROM STATE TO STATE.

This warranty applies to product sold in the U.S.A. and Canada only. Please consult the 'Service Center Search' in the Parts & Service section of MILWAUKEE's website www.milwaukeeetool.com or call 1.800.SAWDUST (1.800.729.3878) to locate your nearest service facility for warranty and non-warranty service on a MILWAUKEE power tool.