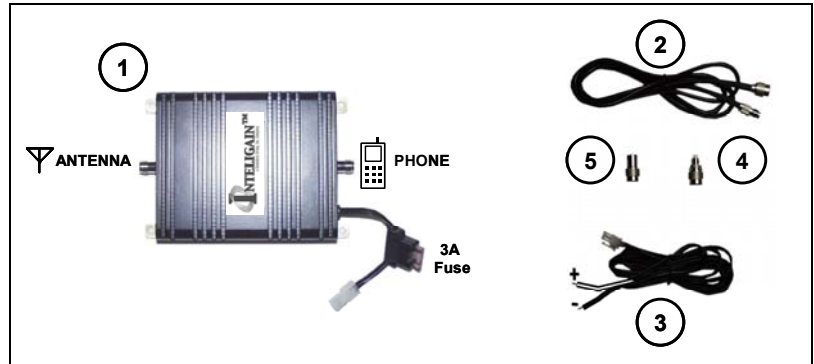


**Note:** Before installing the SG800 Signal Amplifier, please read the entire contents of this manual.

## Parts List

Item	Qty	Description
1	1	SG800 Intelgain™ Signal Amplifier
2	1	1.5 Meter (59") RF Cable
3	1	2 Meter (78") DC Power Cable
4	1	Connector Adapter FME Female to TNC Male
5	1	Connector Adapter FME Male to TNC Male



## Tools and Other Materials Required

Item	Description
1	Electric drill (as required for signal amplifier mounting holes)
2	Screw driver
3	Qty 4 screws (length and type as required for signal amplifier mounting)
4	Wire cutters / strippers
5	Qty 2 wire connection insulators or insulating material (as required for DC power cable connection to 12V DC system)

## WARNINGS!

- ▽ **An antenna of not more than 5dBd gain shall be used with the amplifier or the manufacturer's warranty will be void. Use of cellular amplifiers with antennae of higher gains is in violation of FCC regulations for which the offender will be fully liable.**
- ▽ **Ensure that the external antenna connected to the SG800 amplifier is mounted at least 0.5 meter away from any seating position in the automobile to ensure that the FCC Maximum Possible Exposure (MPE) guidelines are satisfied. At a distance of 0.5 meter from the externally mounted 5dBd antenna connected to the SG800, the uncontrolled MPE power density will be 0.33mW/cm<sup>2</sup> (FCC guideline 0.55mW/ cm<sup>2</sup>).**
- ▽ **Mounting a signal amplifier in the engine cavity or on the underside of the vehicle will void the manufacturer's warranty.**
- ▽ **Subjecting the amplifier to voltages greater than 30 Volts DC will damage the amplifier and void the manufacturers warranty.**
- ▽ **Any vehicle with an electrical system of greater than 30 Volts DC should use a step-down voltage regulator to bring the voltage within the DC operating power range of the amplifier (10 to 30V dc).**
- ▽ **Under no circumstances should the amplifier be powered up without a properly connected 50 ohm 800 MHz cellular antenna or the amplifier may be damaged and the manufacturer' warranty will be void.**

**It is recommended that only certified automotive installation technicians install this product in a vehicle. Installation by any other person is at the risk of the vehicle owner and operator.**

## Installation

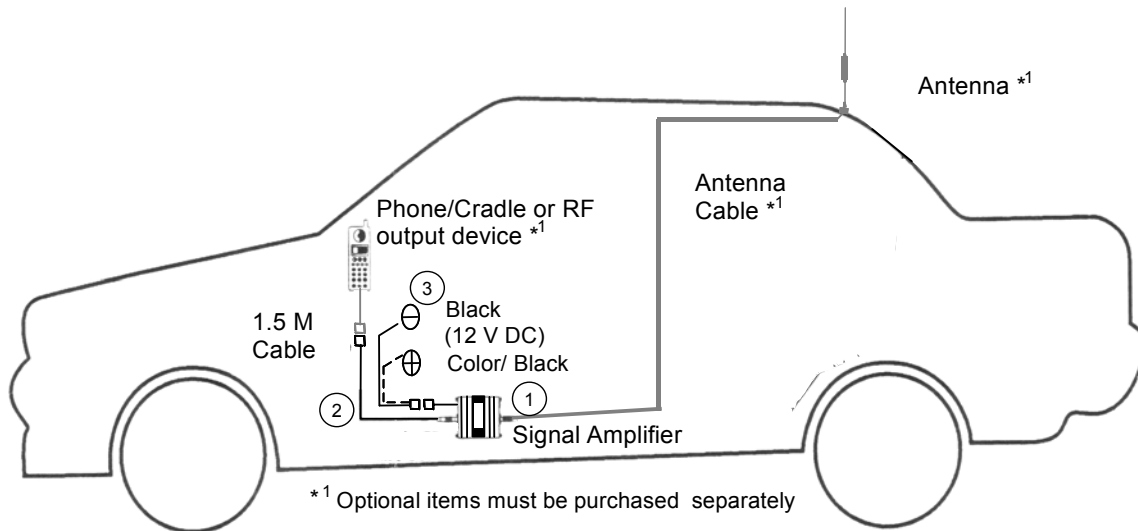
### Selecting a Suitable Location To Mount The Signal Amplifier

Locate a suitable place to mount and conceal the signal amplifier. Suggested mounting locations include: under the dashboard, under a seat, or in the trunk. For peak performance the signal amplifier should be mounted as close to the phone handset as possible. The amplifier's location should be easily accessible and mounted away from moving parts, as well as excessive heat and moisture.

## Installation Cautions

- ▽ Use caution to avoid drilling through or near fuel lines or fuel tanks; brake lines; or electrical wiring.
- ▽ Do not mount the signal amplifier or its associated wiring in a location that may interfere with the safe operation of the vehicle.

## Installation Of The Signal Amplifier



### Typical Installation For Under The Seat Mounting

1. For safety, disconnect the vehicle's negative "-" battery terminal to remove power from the vehicle.
2. Drill holes and mount the signal amplifier (ITEM 1) in the selected location.
3. Connect the coloured striped black wire of the supplied 2 Meter (78") power cable (ITEM 3) for the signal amplifier to a positive connection on the vehicle's electrical system. Choose a 10 to 30 Volt DC circuit that is: fuse protected; and ignition switched. (Often referred to as the "Accessory output")
4. Attach the solid black wire of the supplied 2 Meter (78") power cable (ITEM 3) to a vehicle electrical ground point.
5. Attach one end of the antenna cable\*<sup>1</sup> to the antenna. The other end is connected to the cellular phone handset via a cradle or an RF output cable\*<sup>1</sup> to the signal amplifier's **ANTENNA** output connector. Use the supplied FME to TNC adapters (ITEM 4 or 5) if necessary.
6. Connect the amplifier's **PHONE** input connector to the cellular phone handset via a cradle or an RF output cable using the provided 1.5 Meter (59") RF cable (ITEM 2) and adapter (ITEM 4 or 5) if necessary.
7. Reconnect the vehicle's negative "-" Battery terminal.

## Limited Warranty

Seamless Group Inc. warrants that this product is free from any defects in material or workmanship for a period of one year. If a defect in material or workmanship is found, Seamless Group Inc. agrees to repair or replace the product at its own discretion, free of charge to the original purchaser. Please return the product along with proof of purchase to the original authorized dealer. This warranty is null and void if the product has been modified, abused, tampered with, subjected to abnormal conditions, or transferred to someone other than the original purchaser.

All brands and trademarks are the property of their respective owners.

Designed and manufactured in North America