

## **FCC Part 15 Subpart C**

### **Frequency Hopping Spread Spectrum Transmitter**

**Manufacturer: Neptune Technology Group, Inc.**

**Model: R900-v2  
FCC ID: P2SNTGSRFV2**

**ACS Report Number: 03-0003-15PC**

### **Class II Permissive Change Test Report**

## **APPENDIX E**

### **Antenna Schematics and Drawings**

This test report shall not be reproduced except in full. This report may be reproduced in part with prior written consent of ACS, Inc. The results contained in this report are representative of the sample(s) submitted for evaluation.

**This appendix contains 3 pages**



FOR THE SCOPE OF ACCREDITATION UNDER LAB Code 200612

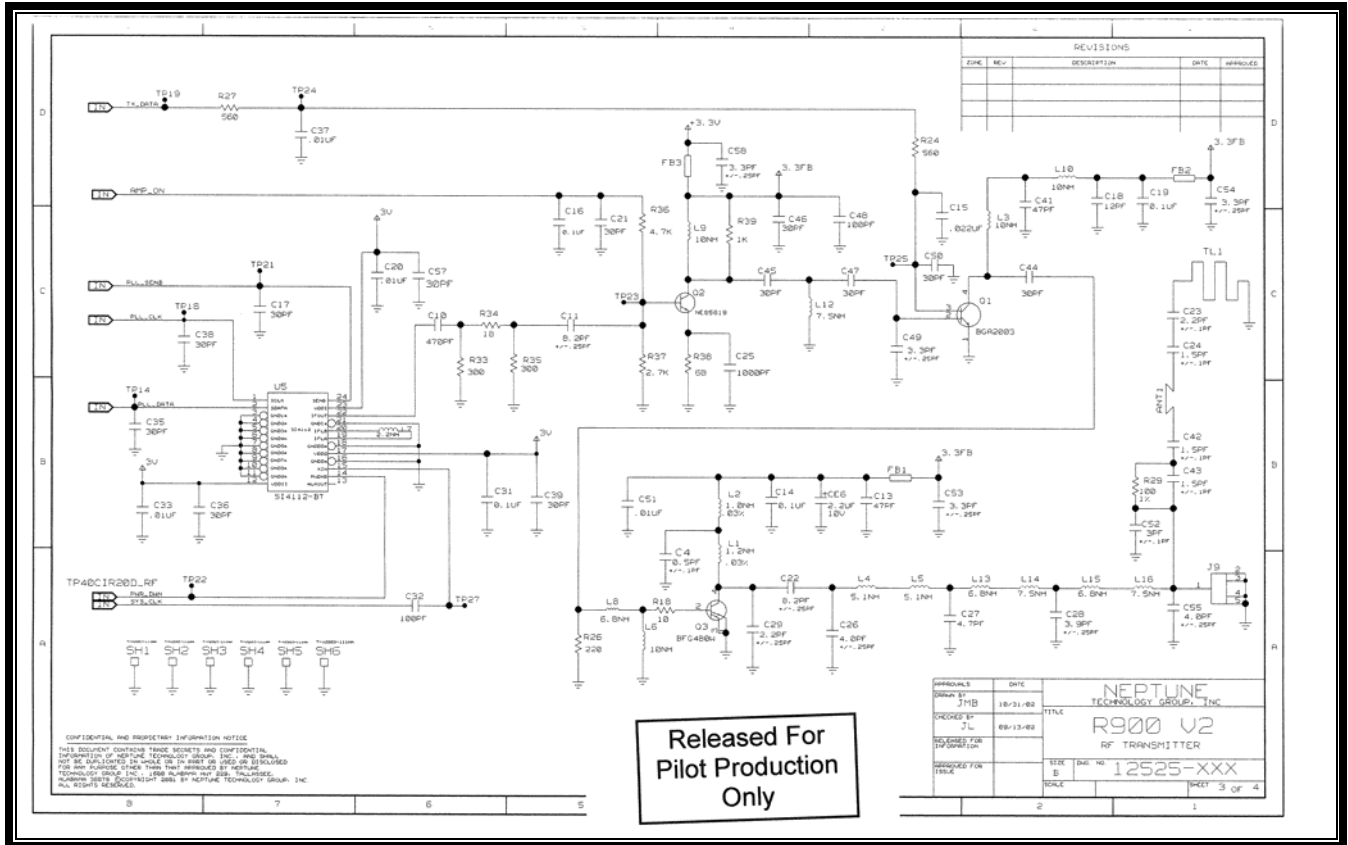


Figure E1: Schematics

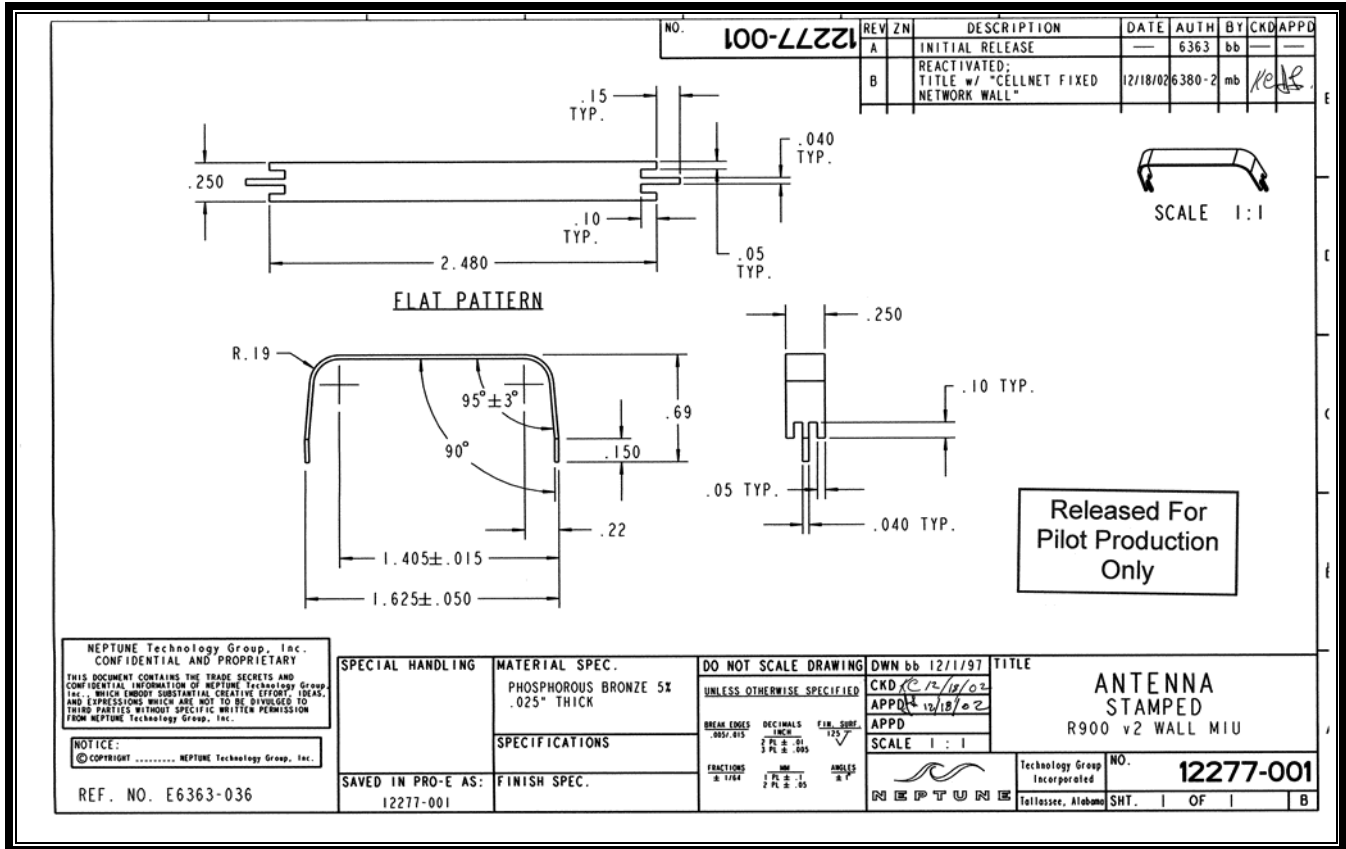


Figure E2: Drawing of New Antenna