



Excellence in Compliance Testing

Certification Exhibit

**FCC ID: P2SNTGR900IV3
IC: 4171B-R900IV3**

**FCC Rule Part: 15.247, 15.249
IC Radio Standards Specification: RSS-210**

ACS Project Number: 11-0359

**Manufacturer: Neptune Technology Group, Inc.
Model: R900i SP**

Label Information

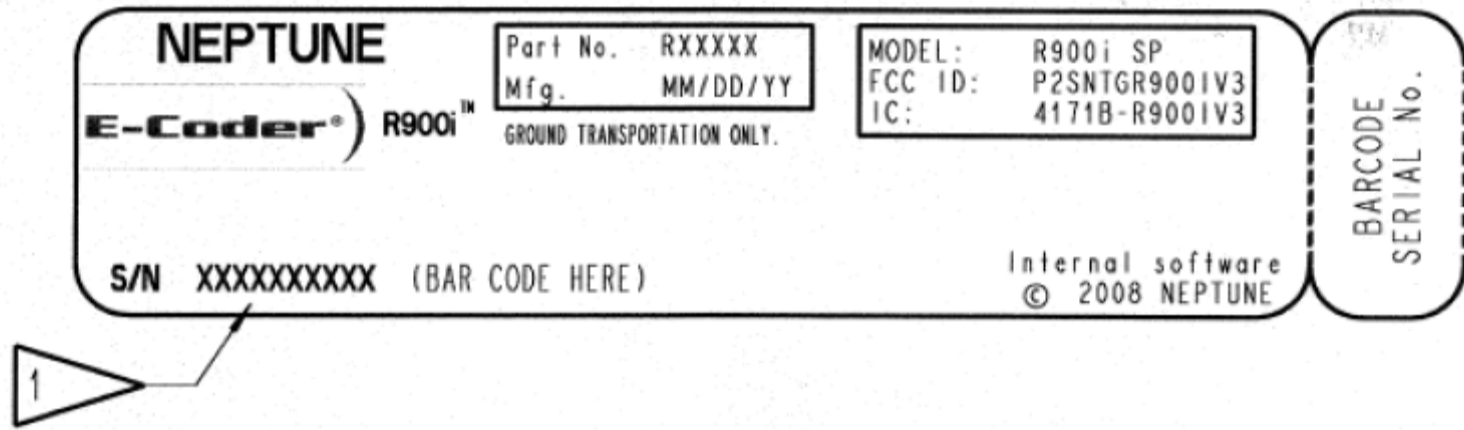
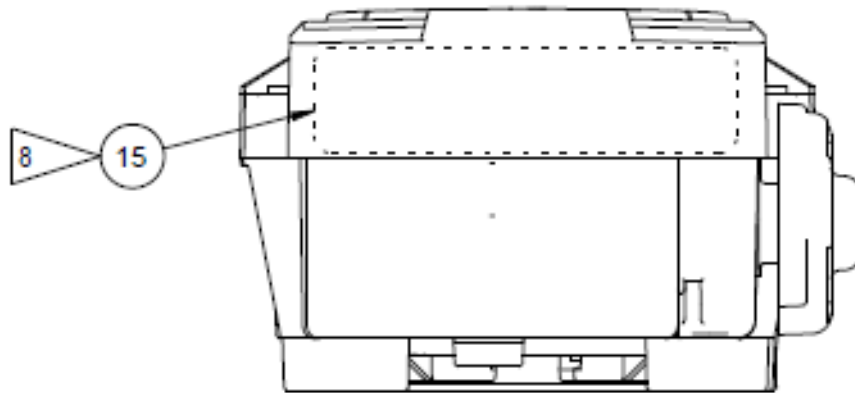


Figure 1: Label Information



LABEL PLACEMENT

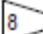
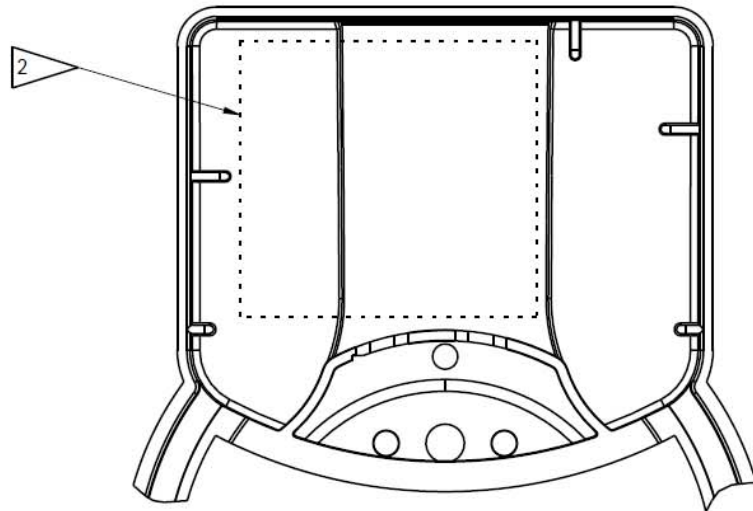
 LABEL (ITEM 15) TO BE LOCATED ON BACK OF CAP RING (ITEM 8) ABOVE THE BATTERY PACK ASSEMBLY (ITEM 7).

Figure 2: Label Placement



SCALE 1.500

NOTES:

- 1 NO WATER LINES BELOW THIS AREA
- 2 THE FOLLOWING TEXT TO BE 8 PT. ARIAL NARROW FONT LOCATED IN THIS AREA & RAISED .010":
"THIS DEVICE COMPLIES WITH PART 15 OF THE FCC RULES.
OPERATION IS SUBJECT TO THE FOLLOWING TWO CONDITIONS:
(1) THIS DEVICE MAY NOT CAUSE HARMFUL INTERFERENCE, AND
(2) THIS DEVICE MUST ACCEPT ANY INTERFERENCE RECIEVED,
INCLUDING INTERFERENCE THAT MAY CAUSE UNDESIRED OPERATION.
CET APPAREIL NUMERIQUE DE LA CLASSE B EST CONFORME A LA
NORME NMB-0003 DU CANADA."

Figure 3: Label Placement