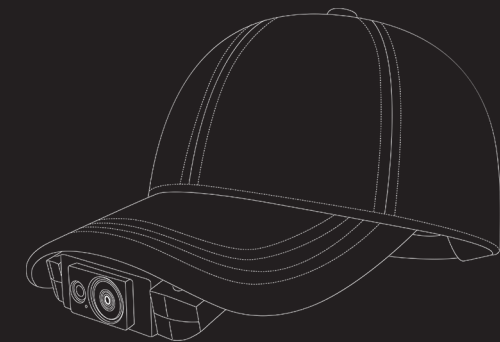


X5 Mini Quick Guide



Thank you for purchasing the Drift X5 Mini

CUSTOMER SUPPORT

Download the full manual and check our official website for firmware updates, customer support, and info on all of our products.

<https://driftinnovation.com/>

If you have any suggestions, comments or concerns; please contact our customer support team at: support@driftinnovation.com

WARRANTY

Warranty does not apply if the product is damaged due to physical abuse, mishandling, accident, fire, frostbite, water damage, negligence or failure to follow the supplied operating instructions. For more information on warranty, see:

<https://driftinnovation.com/warranty>

-1-

CATALOGUE

- 3 SPECIFICATION
- 4 PACKAGE CONTENTS
- 5 ABOUT YOUR DEVICE
- 6 REMOVE X5 MINI
- 7 INSTALL X5 MINI
- 8-9 INITIAL SETUP
- 10-11 POWER ON/OFF
- 12 STATUS LED INDICATIONS
- 13 MODE NAVIGATION
- 14 APP
- 15-16 FEATURE OVERVIEW
- 17-18 CONNECTING TO A PC/MAC

-2-

SPECIFICATION

Voice Control	Supported	Photo Format
POV Video Call	Supported	12MP JPEG
Video Anti-Vibration	Supported	
Video Format		
4K (4096*2160,17:9)	@24,25FPS	
4KUHD (3840*2160,16:9)	@24,25,30FPS	
2.7K (2688*1520,16:9)	@24,25,30,50 FPS	
1080P (1920 X 1080,16:9)	@ 24,25,30,50,60,100,120FPS	
720P (1280 X 720,16:9)	@ 25,30,48,50,60,200,240 FPS	
WVGA (848 * 480)	@25,30FPS	

Sensor Type	Sony 12MP
Lens Type	140° Wide Angle
Battery	N/A, external battery bank supported
Microphone	Built-in Noise Reducing Microphone
Speaker	Built-in
Gyro sensor	6 axis
Input/output	Type-C USB, compatible external power and earphone
Memory	Micro SD, SDHC, SDXC, Up to 256GB
Wi-Fi	5.8G
Bluetooth	Built-in
Waterproof rate	IPX4
Laser light	Built-in

Weight: 170g (baseball hat included)

-3-

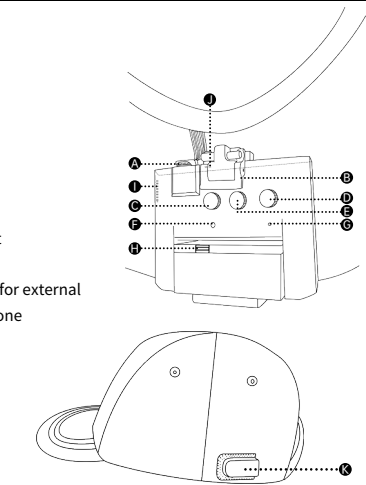
PACKAGE CONTENTS

- Baseball hat with X5 Mini mounted
- Power and Audio 2-in-1 cable
- Type-C USB cable
- Wired earphone
- 1500mAh battery module (Optional)
- Quick Guide

-4-

ABOUT YOUR DEVICE

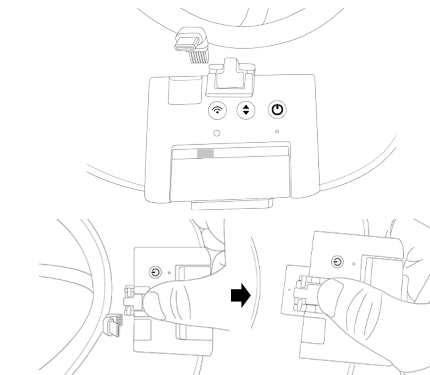
- A USB Port
- B Pin Latch
- C Wi-Fi button
- D Power Button
- E Middle Button
- F Wi-Fi LED
- G Microphone
- H Status LED
- I Micro SD card slot
- J Speaker
- K Type-C USB port, for external power and earphone



-5-

REMOVE X5 MINI

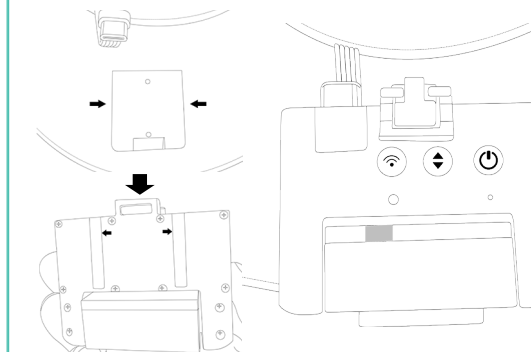
1. Unplug the USB cable from the X5 Mini set.
2. Press the latch to lift the fixing pin, then slide the X5 Mini downwards to remove it from the brim of hat.



-6-

INSTALL X5 MINI

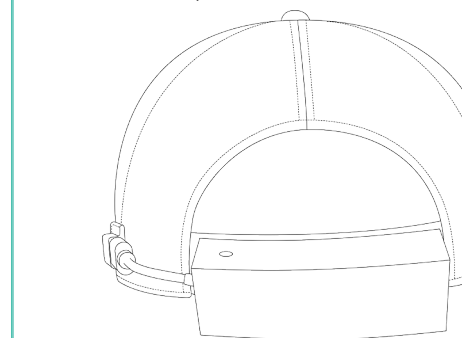
1. Press the latch to lift the fixing pin, align the guide rail groove at the bottom of your X5 Mini with the edge of the base (as shown in the figure), release the latch and push it upwards. When you hear a click, the X5 mini is installed properly.
2. Plug the USB into your X5 Mini to complete the process.



-7-

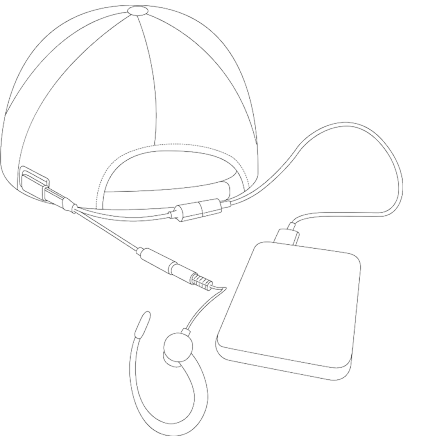
INITIAL SETUP

1. Insert a Class 10 or higher level microSD/HC/XC card (up to 256 GB) into the Micro SD card slot. Please format it on your computer before using it for the first time
2. If using the 1500mAh battery module, press the battery module into the clip at the back of the baseball hat, then plug the USB cable of the battery module into the USB port on the side of the baseball hat.



-8-

3. If using a power bank, please connect the power and audio 2-in-1 cable to the USB port of the hat, then connect your earphone and power bank as the figure shown as below.



POWER ON/OFF

1. Press and hold the power button for 3 seconds to turn on your X5 Mini.
2. When the Status LED turns green you can record video, using the camera buttons or voice commands.
4. You can determine the device status by the color of the status LED. Press the Wi-Fi button to cycle through the modes.
5. Press and hold the power button for 3 seconds to turn off your X5 Mini.

NOTES:

When powering X5 Mini on for the first time, you'll hear the following message: "Please connect to the network to complete the configuration." This indicates that the time and date setting of your device is not accurate, and you will need to set the correct time before recording video or taking photos. To set the time and date on your X5 Mini, please download the Drift See app on your Android or iOS mobile device and connect to the X5 Mini. This will automatically set the time and date.
If you disconnect the battery from your X5 Mini for periods of time longer than 30 seconds you may need to set the time and date again.

STATUS LED INDICATIONS

LED color	Description
Solid Green	Video Mode
Solid Yellow	Photo Mode
Blinking Cyan	Scanning QR Code
Blinking Red	Video Recording or livestreaming

VOICE COMMANDS LIST

Commands	Description
Drift	Wake up command
Start Recording	Trigger video recording
Stop recording	Stop Video recording
Take a photo	Capture a picture
Video Mode	Switch to Video mode
Photo Mode	Switch to photo mode
Power Off	Turn off the device
Scan QR Code	Scan QR code to connect with network
Light Up	Turn on the laser Light
Light Off	Turn off the laser Light
Volume Up	Increase speaker volume by one level
Volume Down	Decrease speaker volume by one level
Zoom In	Zoom in by one level, from 1- 10
Zoom Out	Zoom out by one level, from 10-1
EIS On	Enable video anti-vibration
EIS Off	Disable video anti-vibration
Exposure up	Increase exposure by 1 level from -2 to +2
Exposure down	Decrease exposure by 1 level, from 2 to -2

NOTES:

for every voice command, please use "Drift" as the wakeup command, wait until you hear the X5 Mini respond "Hi", then speak the command phrase to trigger the action from your X5 Mini.

MODE NAVIGATION

To change the current mode, press the power button to cycle through Video & Photo

VIDEO MODE

(Green LED) Press the power button to start recording. The Status LED will flash red to indicate recording. Press the power button again to stop recording.

PHOTO MODE

(Yellow LED) The X5 Mini will capture still images when the power button is pressed, and the status LED will flash red each time a photo is captured.

SETTINGS

Connect your X5 Mini with the Drift See App, go to the preview page and tap on More Settings. You can then select from the below options:

Video Format	4K/4KUHD/2.7K/1080P/720P/WVGA	Video Elapse	On/Off
Video Frame Rate	24/25/30/50/60/100/120/200/240	Video Elapse Interval	0.5s/1s/2s/5s/10s/30s
Wi-Fi	5.8 GHz	THM File	On/Off
Voice Control	On/Off	Date	On/Off
EIS	On/Off	Time Stamp	On/Off
Field Of View	140/115/90	Restore Default	Yes/No
Bitrate	High/Mid/Low	Format SD card	Yes/No
ISO	Auto/ 100/200 /400/800	Serial Number	
Speaker	Off/1/2/3/4/5/6/7/8/9/10	Firmware	
Loop Record	On/Off		
Loop Record Interval	30s/1min/2 mins/5 mins/10 mins		

APP

Find the Drift See App for Android devices in Google Play, or the Apple Store for iOS devices. With Drift See, you can remotely preview, configure and access media files on your X5 Mini, or make a video call.

UPDATING YOUR X5 Mini

Download the latest firmware from the Drift website and copy the X5_Mini.bin file into the root of a formatted micro SD card. Insert the micro SD card into the X5 Mini and power it on. The installation process will automatically be executed, during the process the X5 mini will reboot twice.

FEATURE OVERVIEW

1. Register your X5 Mini

Launch the Drift See app on your mobile device, navigate to [Device] page and click the [+] button on the upper right corner. Enter the Wi-Fi name and password of the network you wish to connect to, and tap the OK button to generate a QR code.

Turn on your X5 Mini and press and hold the middle button for 2s to set the device into Scanning QR code mode. Aim the lens at the QR code on your phone and once the QR code is recognized, the X5 Mini will connect to the network and the App will automatically return to the [Devices] page, which will show that your X5 mini is detected. Tap the Register button to complete the registration of the X5 mini.

2. Video call:

After your X5 Mini is registered, navigate to the "Me" page in the Drift See App, and tap the [+] button to add co-workers who you want to invite to your video call. To start a video call, turn on your X5 Mini and make sure it's connected to the Internet, through either a Wi-Fi router or your phone's hotspot. Your co-workers can launch their Drift See app where they will see your X5 mini is online, on the homepage. Tap the X5 mini to join the call.

3. Laser Light

The laser light allows the X5 Mini user to quickly and easily check where the camera is pointing while wearing it. Simply use the voice command "Drift, Light up", and the Laser Light will be turned on. A red dot is visible in front of you, which points to the center position of the picture or video you are taking. Use the voice command "Drift, light Off", to turn the laser light off.

4. Loop Recording Mode

Loop Recording Mode allows your X5 Mini to record in a continuous loop. This means that when the memory card becomes full, the X5 Mini will record over the oldest footage. The interval setting is the duration of the loops that the X5 Mini will record. For example, if you select a 2m interval and record for 20 minutes, you'll find 10 videos saved on your memory card, each two minutes long.

5. Bit Rate

Users can choose to keep the normal compression used by the H.264 codec, or if they prefer, allow a higher flow of data for preserving more of the original recording. This will result in a bigger file size.

CONNECTING TO A PC/MAC

CONNECTING TO A PC

1. Connect the X5 Mini using the USB cable (provided)
2. X5 Mini's folder may open automatically; if not, open using My Computer.
3. X5 Mini should be recognized as a removable disk; double-click to open.
4. Open the DCIM folder to access your files.

CONNECTING TO A MAC

1. Connect the X5 Mini using the USB cable (provided)
2. X5 Mini's folder may open automatically; if not, open using Finder.
3. X5 Mini should be recognized as an external device; double-click to open.
4. Open the DCIM folder to access your files.

DISCLOSURES

FCC Information

This device complies with part 15 of the FCC Rules.

Operation is subject to the following two conditions:

- (1) This device may not cause harmful interference, and
- (2) this device must accept any interference received, including interference that may cause undesired operation.

Any Changes or modifications not expressly approved by the party responsible for compliance could void the user's authority to operate the equipment.

Note: This equipment has been tested and found to comply with the limits for a Class B digital device, pursuant to part 15 of the FCC Rules. These limits are designed to provide reasonable protection against harmful interference in a residential installation. This equipment generates uses and can radiate radio frequency energy and, if not installed and used in accordance with the instructions, may cause harmful interference to radio communications. However, there is no guarantee that interference will not occur in a particular installation. If this equipment does cause harmful interference to radio or television reception, which can be determined by turning the equipment off and on, the user is encouraged to try to correct the interference by one or more of the following measures:

- Reorient or relocate the receiving antenna.
- Increase the separation between the equipment and receiver.
- Connect the equipment into an outlet on a circuit different from that to which the receiver is connected.
- Consult the dealer or an experienced radio/TV technician for help.

The device has been evaluated to meet general RF exposure requirement. The device can be used in portable exposure condition without restriction.