

1

2

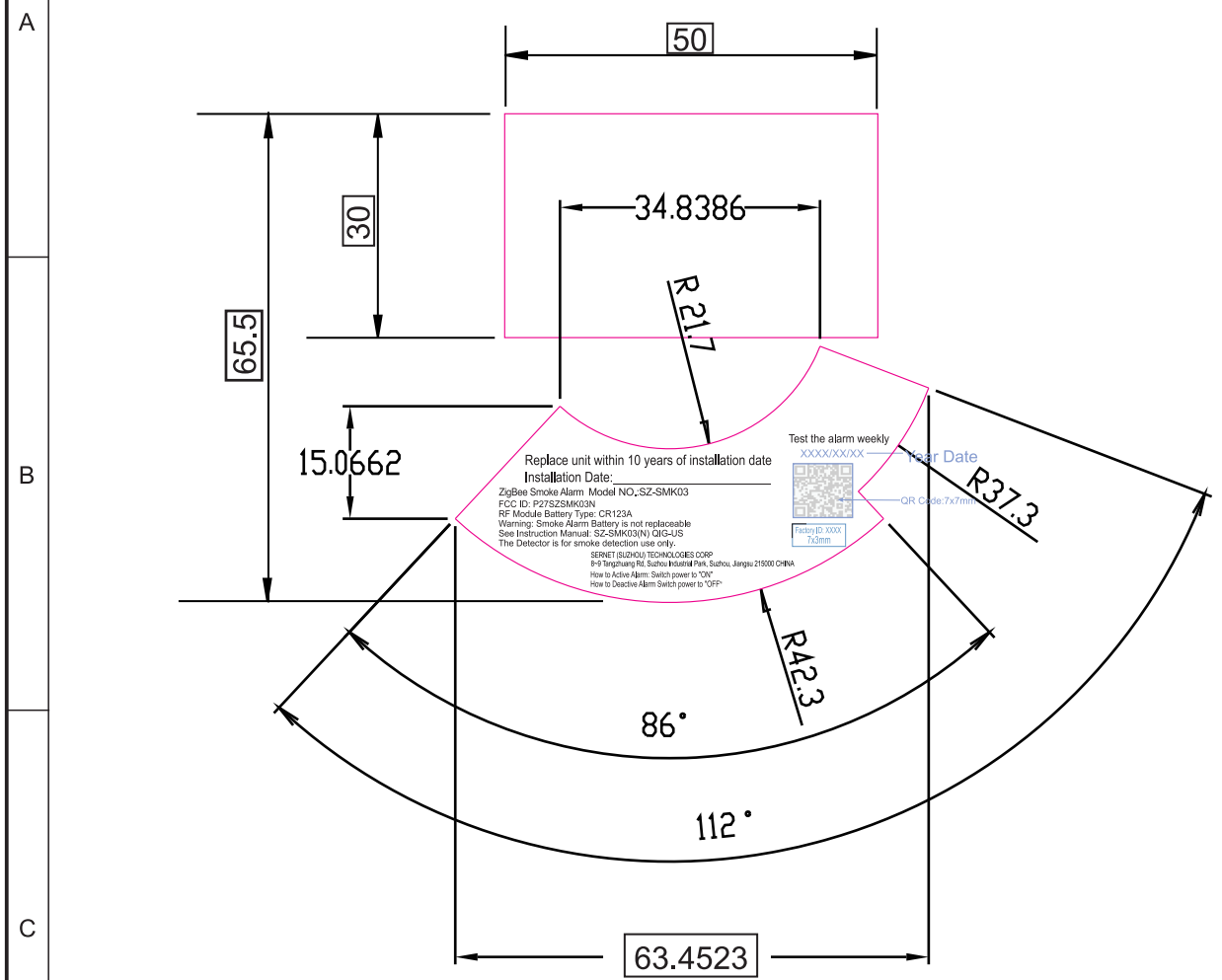
3

4

5

Scale/1:1
Unit/mm
DO NOT SCALE DRAWING

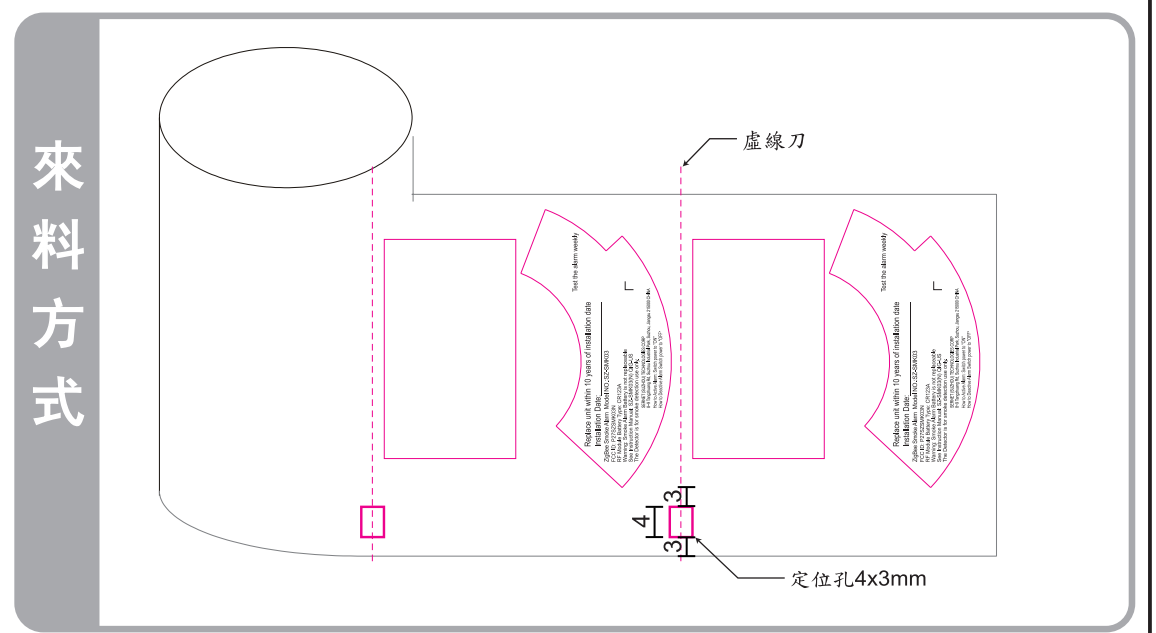
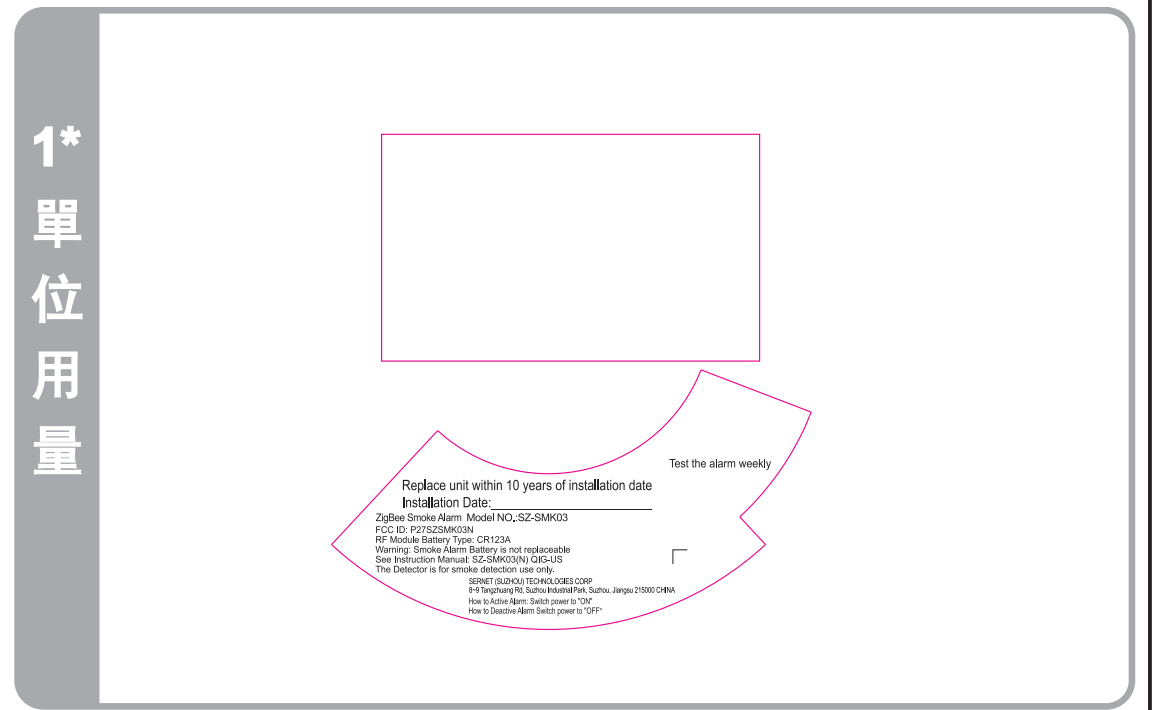
1	訂正			



- Black
- 藍色線條/字樣為工廠列印辨識使用
無須印刷
- 紅框為刀模線不印刷

- Notes:
1. 材質: 50#白色Mylar,上打字用霧膜PET
 2. 背壓花膠/葛拉馨底紙,成捲
 3. 尺寸/印刷:如圖示
 4. 方框內尺寸為重點檢驗尺寸
 5. 公差:+/- 0.2mm
 6. 本料件使用之材料須符合RoHS

USED



DONOTSCALEDRAWING

MODEL	SZ-SMK03N	NAME	消銀龍 / Comcast	SCALE	/
DSN		PART. No	932CJR00NQ	SHEET	OF
CHK		MATERIAL		Q' TY	PC
APV					REV. DATE
FILE					2018.01.25

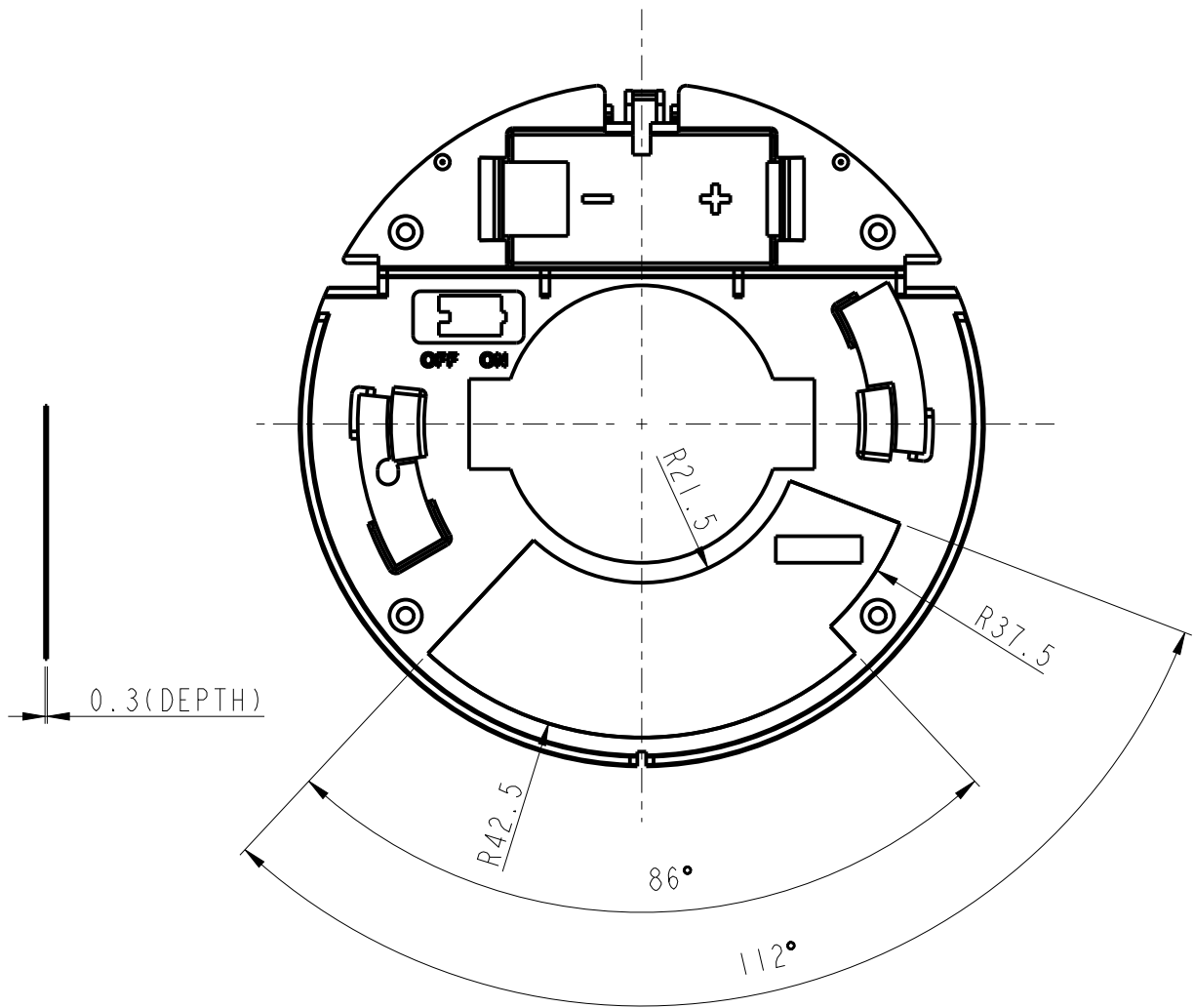
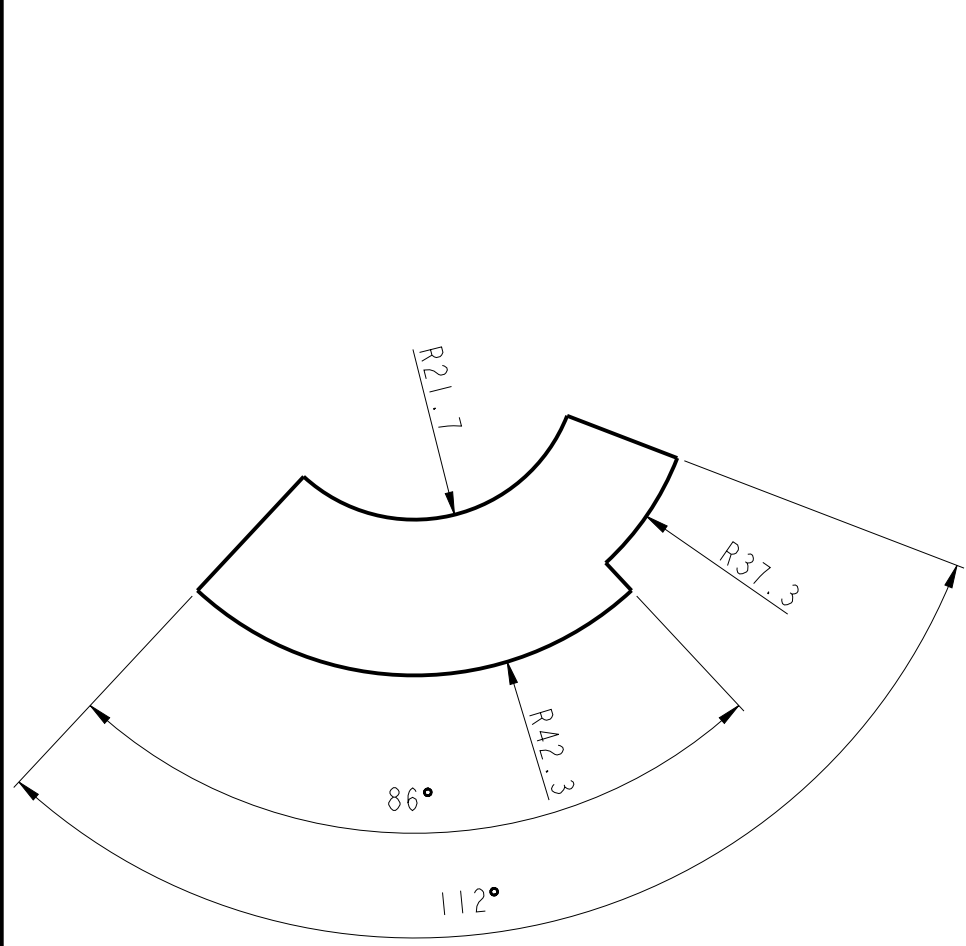
REV	ZONE	DATE	EXPLAN
1	ALL	2017/11/10	RELEASE

A

B

C

D



△ VERSION CHANGE
 □ IOC INSPECTION DIMENSION

DIM	GRADE				CONFIDENTIAL PROPRIETARY			SMOKER		TOOLING NAME
	A	B	C	D	MODEL	ASHTRAY	NAME	LABEL INNER	SCALE 1.000	
0-8	.05	0.1	0.2	0.4	DSN	MARTIN	PART NO.	XXX	SHEET 1 OF 1	
8-25	.08	.15	0.3	0.6	CHK		MATERIAL	XXX	REV. 1	
25-80	.12	.25	0.5	1.0	APV					
80-250	.25	0.4	0.8	1.5	FILE					
250-800	.50	0.8	1.5	3.0						



REV. DATA
 2017/11/10