

# SZ-BSW01 ZigBee Binary Switch Installation Guide

SZ-BSW01 can provide "smart" lighting remote control with its embedded radio frequency (RF) technology that is compatible with ZigBee enabled devices. This device is designed to give you one-touch control of your home's lighting.

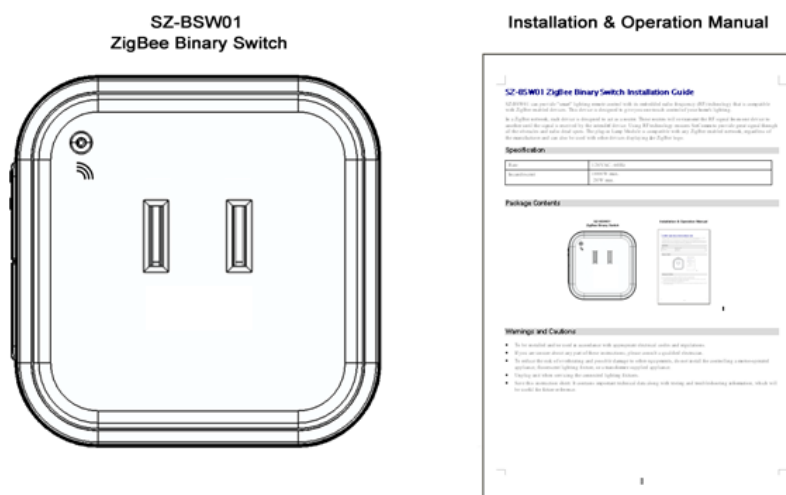
In a ZigBee network, each device is designed to act as a router. These routers will re-transmit the RF signal from one device to another until the signal is received by the final destination. Using RF technology ensures SerComm to provide great signal through all the obstacles and radio dead spots. The plug-in Lamp Module of SZ-BSW01 is compatible with any ZigBee enabled network, regardless of the manufacturer and can also be used with other devices with the ZigBee logo.

**CAUTION:** Remember to have common sense while using the remote control, especially when scheduling unattended devices. There can be some unexpected consequences if used without care. For example, if an empty coffee pot is remotely turned on, and your coffee pot could be damaged from overheating. Or if an electric heater is turned on by remote control while clothing is draped over it, it may result a fire. **DO NOT USE** the remote for controlling the high power heating appliances such as portable heaters. This device will not control lighting used with electronic low-voltage and high frequency power supply transformers, nor high pressure discharge lamps (HID lighting), which include mercury-vapor, sodium vapor and metal halide lamps. **DO NOT** change location after unit is enrolled in ZigBee network.

## Specification

Rado Frequency	2.4GHz
RF Communication Range	Open Aire : 100M (Max)
LED Indicator	Red / Greed LED x 1
Power Source	Input : 120 VAC, 0.5A, 50-60 Hz
Output Max Current	10A
Dimensions (H x W x D)	55 mm x 55 mm x 38 mm (2.15" x 2.15" x 1.48")
Operation Temperature	0° - 50°C (32° - 122°F)
Storage Temperature	-20° - 70°C (-4° - 158°F)

## Package Contents




## Warnings and Cautions

- To be installed and/or used in accordance with appropriate electrical codes and regulations.
- If you are unsure about any part of these instructions, please consult a qualified electrician.

- To reduce the risk of overheating and possible damage to other equipments, do not install for controlling a motor-operated appliance, fluorescent lighting fixture, or a transformer supplied appliance.
- Unplug unit when servicing the connected lighting fixtures.
- Save this instruction sheet. It contains important technical data along with testing and troubleshooting information, which will be useful for future reference.

## LEDs

 <b>Power</b> (Red/Green)	<p><b>On (Red)</b> - When ON/OFF button is pressed to ON.</p> <p><b>Blinking (Green):</b></p> <ul style="list-style-type: none"> <li>• The LED will blink for 10 seconds when join/leave function is being processed.</li> <li>• The LED will be on for 1 seconds when join/leave function is succeeded and then off</li> </ul>
--	---

## Installation

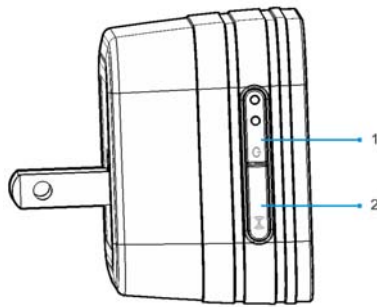
**NOTE:** In order to use SZ-BSW01 in a ZigBee network, the device must be Included into the network by using a Primary Programmer/Remote. Please refer to the Remote Control instruction sheet for complete information.



1. Put the lamp's plug into SZ-BSW01.
2. Attach the SZ-BSW01 into wall receptacle. Make sure the receptacle is working properly. If it is controlled by a wall switch, which must be set to ON all the times.

**WARNING:** For use with up to 1000 Watts incandescent lights.

## Operation



1. ON/OFF Button	2. Join/Leave Button
------------------	----------------------

### Auto Operation:

NOTE: For complete details on operating by the Remote Control, please refer to the individual device's instruction guide.

If a power interruption should occur while the device is ON, the light will return to its previous state when power is restored.

- **ON:** This command will turn on the lights to the previous setting.
- **OFF:** This command will turn the lights off.

### MANUAL Operation:

- **ON:** Press the ON/OFF button of the device to turn the lights on.

NOTE: The lights will be turned ON regardless of the previous setting.

- **OFF:** Press the ON/OFF button to turn the lights off.

## Joining / Leaving to a ZigBee Network

- **Join Function**

For "Join" a network, please do the following instruction:

- Press the Join/Leave button for less than 1 second. The LED is blinking while processing. If the device has been joined with the controller successfully, the Green LED will be on for 2 seconds and then off. The Green LED will be off instantly if failed.
- **Leave Function**
  - For "Leave" a network, please do the following instruction:  
Pressed Join/Leave button for 3 seconds to let the SZ-BSW01 be deleted from the ZigBee Coordinator. If the SZ-BSW01 has been deleted successfully, the LED will be on for 1 second and then off.

## Troubleshooting

If the device appears to be functioning improperly, please follow the suggested steps:

1. Confirm that the device is being supplied from a 120V, 60Hz AC source ONLY.
2. Confirm that the device is being controlled in proper way (local switch is ON) and check for burned-out bulbs.
3. Be sure that the lighting does not exceed the current 10A limit.

## **FCC Statement**

This equipment has been tested and found to comply with the limits for a Class B digital device, pursuant to Part 15 of the FCC Rules. These limits are designed to provide reasonable protection against harmful interference in a residential installation.

This equipment generates, uses and can radiate radio frequency energy and, if not installed and used in accordance with the instructions, may cause harmful interference to radio communications. However, there is no guarantee that interference will not occur in a particular installation. If this equipment does cause harmful interference to radio or television reception, which can be determined by turning the equipment off and on, the user is encouraged to try to correct the interference by one of the following measures:

- Reorient or relocate the receiving antenna.
- Increase the separation between the equipment and receiver.
- Connect the equipment into an outlet on a circuit different from that to which the receiver is connected.
- Consult the dealer or an experienced radio/TV technician for help.

To assure continued compliance, any changes or modifications not expressly approved by the party responsible for compliance could void the user's authority to operate this equipment. (Example - use only shielded interface cables when connecting to computer or peripheral devices).

### **FCC Radiation Exposure Statement**

This equipment complies with FCC RF radiation exposure limits set forth for an uncontrolled environment. This equipment should be installed and operated with a minimum distance of 20 centimeters between the radiator and your body.

This device complies with Part 15 of the FCC Rules. Operation is subject to the following two conditions:

- (1) This device may not cause harmful interference, and
- (2) This device must accept any interference received, including interference that may cause undesired operation.

This transmitter must not be co-located or operating in conjunction with any other antenna or transmitter.

## **CE Approval**

### **CE Standards**

This product complies with the 99/5/EEC directives, including the following safety and EMC standards:

- EN301489-1/-17
- EN300328
- EN14604

### **CE Marking Warning**

This is a Class B product. In a domestic environment this product may cause radio interference in which case the user may be required to take adequate measures.

UL Notices: This device complies with UL Standard 217.