

SSM1R0-29 Motion Sensor Installation Guide

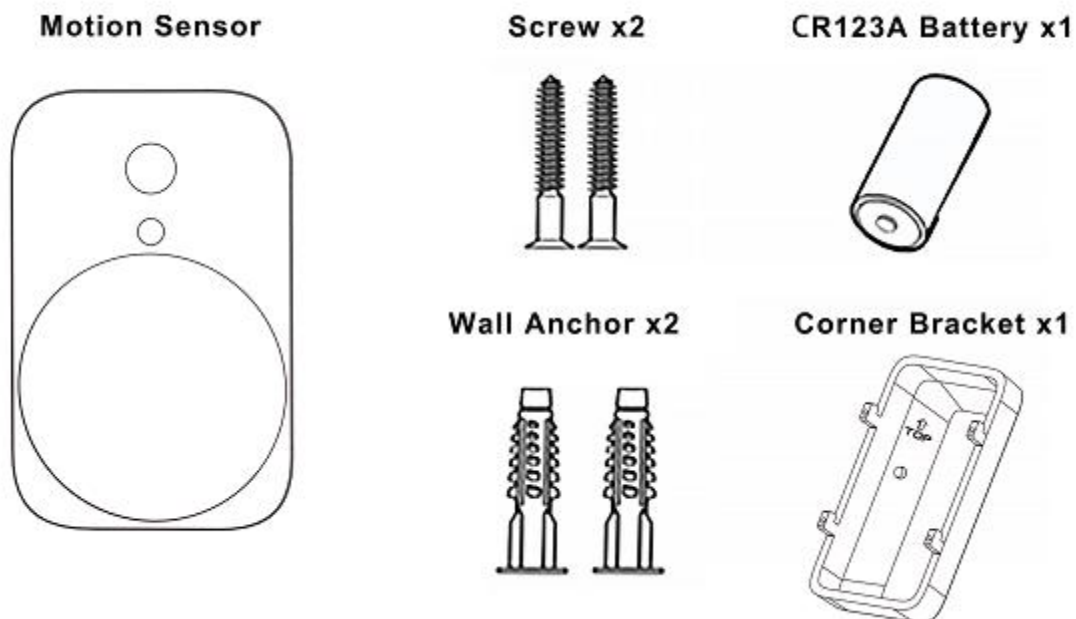
SSM1R0-29 is a PIR Motion (Passive Infrared) sensor, which can detect levels of infrared radiation from human body in its range of view. It supports pet immunity, which is used to ignore the motion caused by animals and thus reduce the likelihood of false alarms. The sensitivity of the sensor will disregard the motion caused by animals under 85 pounds, like a full-grown dog or small cats.

These outstanding features of the sensor provides the professional security for protecting any home or business to save time, money and deliver a great surveillance experience as well.

Specification

| | |
|-----------------------|--|
| Frequency | 1.9 GHz |
| Battery Type | CR123A * 1 |
| RF Transmission Range | Outdoor: 100 Meters |
| Light Sensor | 0~2500 Lux |
| Operating Temperature | 0° C to 40° C (32° - 103°F) |
| Storage Temperature | -10° C to 60° C (14° - 140°F) |
| Battery Life | 2 Years (Assume 40 events per day @25°C) |
| Dimensions (H xW x D) | 90mm x 58mm x 33.2mm |
| Detect Range | Distance: Max. 10M (±1M) w/mounting height 1.8M @25°C Angle: Max. 90 (±10) Degree |

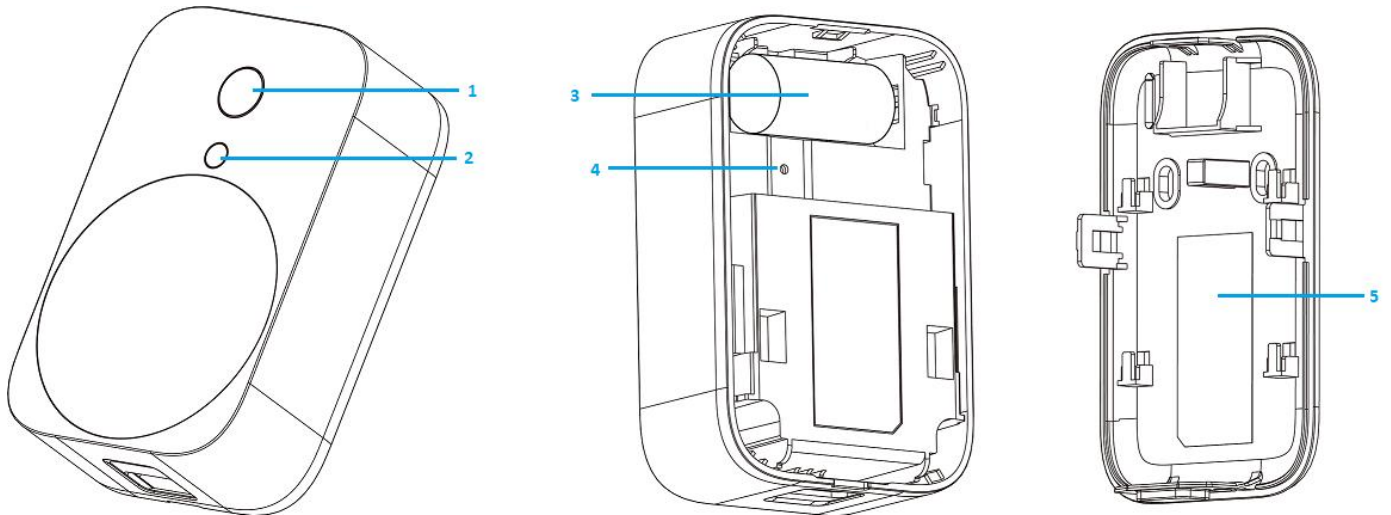
Package Contents



Intallation

1. Installation and wiring methods shall be in accordance with National Electrical Code, ANSI/NFPA 70.
2. Detach the mount bracket from the device.
3. Install the provided batteries correctly.
4. Attach the mount bracket back to the device.

Operation



| | |
|----------------------|---------------------------------------|
| 1. Pairing Button | 5. Battery Cover (Wall Mount Bracket) |
| 2. Pairing/Alarm Led | |
| 3. Battery | |
| 4. Tamper | |

- When the battery is installed, the Blue LED will be blinking for 90 seconds which indicates pairing process is on going.
- If pairing succes, Blue LED will be solid on for 3 seconds.If paring fail, Red LED will be solid on for 3 seconds.
- If paring fail, press paring button for 5 second to restart paring process.
- The motion sensor needs to be checked and perform walk test annually to make sure the detection function is working properly.

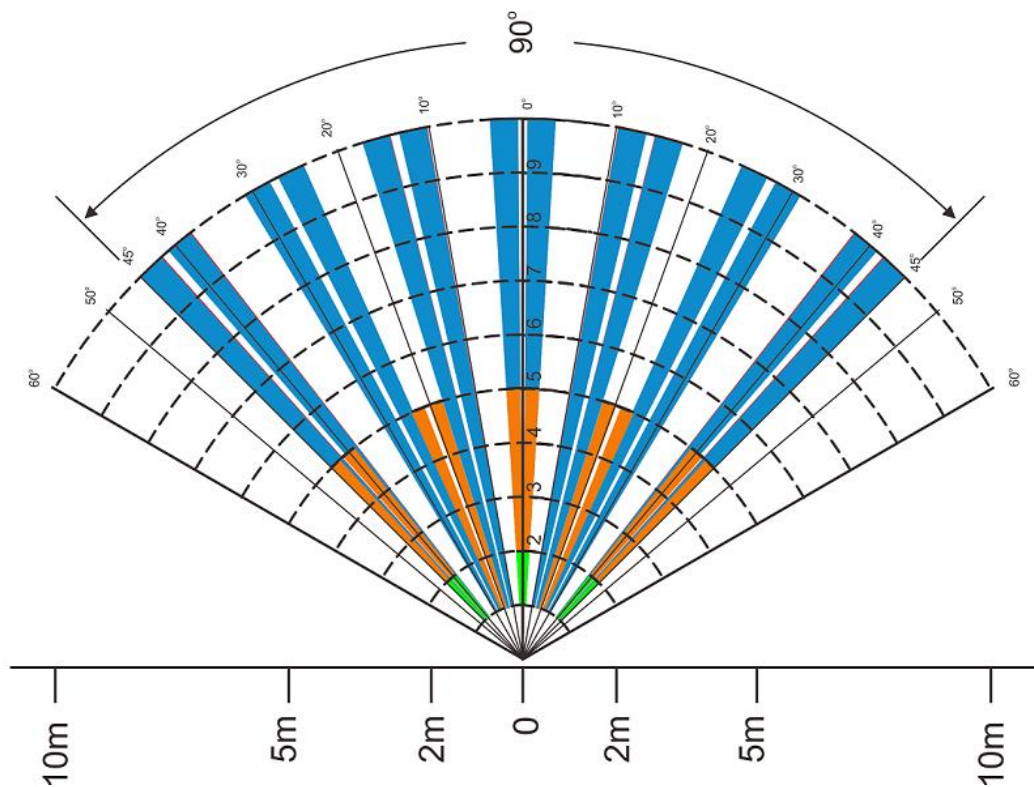
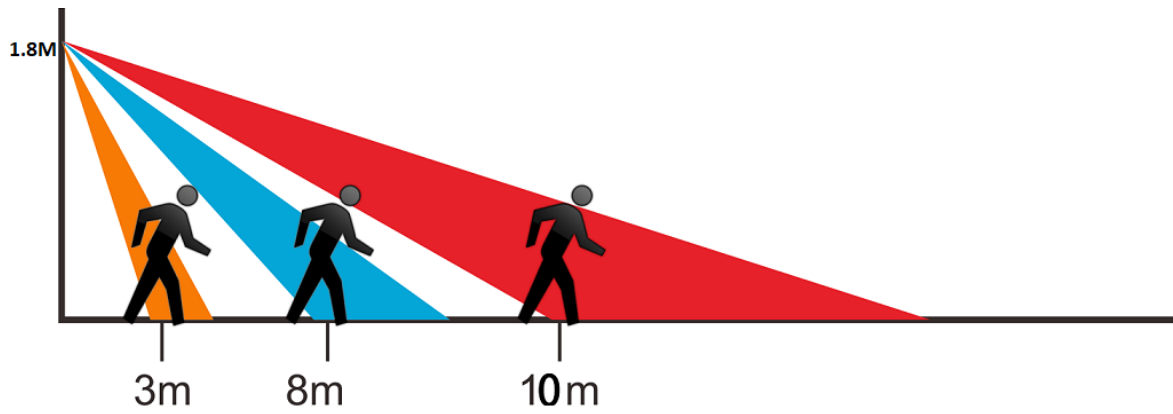
CAUTION:

RISK OF EXPLOSION IF BATTERY IS REPLACED BY AN INCORRECTED TYPE. DISPOSE OF USED BATTERIES ACCORDING TO THE INSTRUCTIONS.

Mounting Instruction



The recommended mounted position for a Motion Sensor should be 1.8M from the floor in the corner of a room. At this height, the device can detect a movement up to 10M ($\pm 1M$) (see the following image). Also, in this position, the 90 degrees (± 10 degree) fan-shaped detection pattern can normally offer greater protection than mounting on a flat wall.

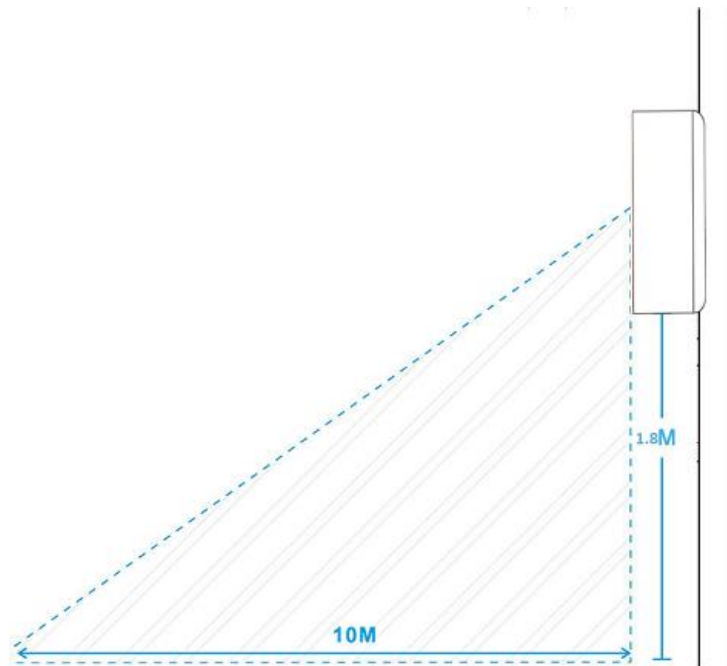


Before selecting a position, the following installation hints should be noted:

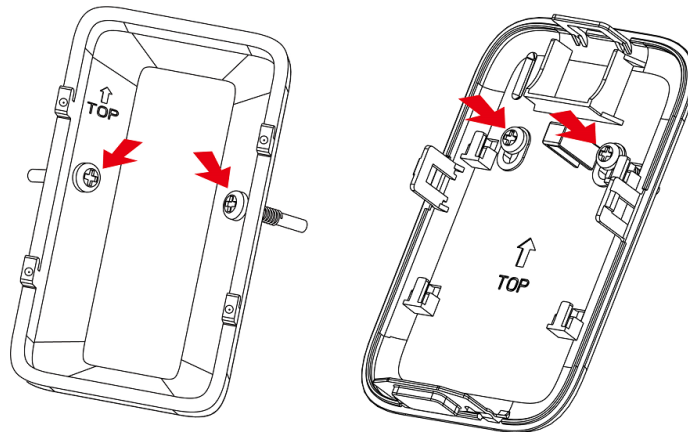
1. Do not position the Motion Detector facing a window or direct sunlight. The device is also not suitable for using in draughty area where air conditioner or fan been installed. The excessive wind may cause false alarm.
2. Avoid aiming directly near heat sources, eg: fires, radiators, boiler etc.
3. Mount the detector where possible, so that the logical path of an intruder would cut across the fan pattern rather than directly towards the device.
4. Before mounting the PIR, perform walk test to ensure the detection coverage.

Wall Mounting

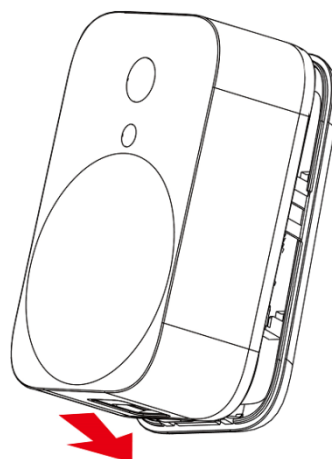
Note: The device is suggested to be set at 90 degrees angle, which is the best mounted position for offering the 10M protection area.



1. Detach the mount bracket from the device.
2. Mount the bracket with the supplied screws/anchors into the wall. It can be either mounted on a flat surface or in a corner.
Note: Make sure the mount bracket is installed in the correct direction (upwards arrow).



3. Attach the device to the mount bracket.



FCC Statement

This equipment has been tested and found to comply with the limits for a Class B digital device, pursuant to Part 15 of the FCC Rules. These limits are designed to provide reasonable protection against harmful interference in a residential installation. This equipment generates, uses and can radiate radio frequency energy and, if not installed and used in accordance with the instructions, may cause harmful interference to radio communications. However, there is no guarantee that interference will not occur in a particular installation. If this equipment does cause harmful interference to radio or television reception, which can be determined by turning the equipment off and on, the user is encouraged to try to correct the interference by one of the following measures:

- Reorient or relocate the receiving antenna.
- Increase the separation between the equipment and receiver.
- Connect the equipment into an outlet on a circuit different from that to which the receiver is connected.
- Consult the dealer or an experienced radio/TV technician for help.

To assure continued compliance, any changes or modifications not expressly approved by the party responsible for compliance could void the user's authority to operate this equipment. (Example - use only shielded interface cables when connecting to computer or peripheral devices).

FCC Radiation Exposure Statement

This equipment complies with FCC RF radiation exposure limits set forth for an uncontrolled environment. This equipment should be installed and operated with a minimum distance of 20 centimeters between the radiator and your body.

This device complies with Part 15 of the FCC Rules. Operation is subject to the following two conditions:

- (1) This device may not cause harmful interference, and
- (2) This device must accept any interference received, including interference that may cause undesired operation.

This transmitter must not be co-located or operating in conjunction with any other antenna or transmitter.