

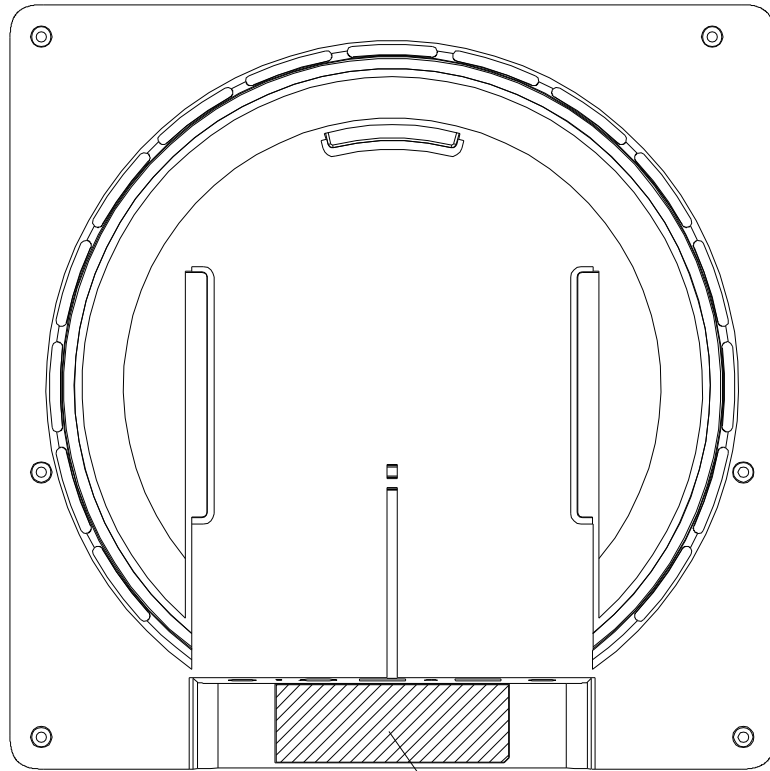
| | | | | |
|---|---|---|-----|---|
| 1 | 2 | 3 | 4 | 5 |
| | | | 1 ← | |

A

B

C

D



Label Position

FCC ID: P27SCE5151CVZ

△ VERSION CHANGE

□ IQC INSPECTION DIMENSION

Refer to Table A level if Tolerance is not marked

| DIM. | GRADE | | | |
|---------|-------|-----|-----|-----|
| | A | B | C | D |
| 0-8 | .05 | 0.7 | 0.2 | 0.4 |
| 8-25 | .08 | .75 | 0.3 | 0.6 |
| 25-80 | .12 | .25 | 0.5 | 1.0 |
| 80-250 | .25 | 0.4 | 0.8 | 1.5 |
| 250-800 | .50 | 0.8 | 1.5 | 3.0 |

Do Not Scale Drawing

| | | | | |
|-------|-------------|----------|----------------|----------------------|
| MODEL | Bridgewater | NAME | Label Position | Tooling Name |
| DSN | eric chiang | PART. NO | | SCALE 1 / 1 |
| CHK | eric chiang | MATERIAL | | SHEET 1 OF 1 |
| APV | | | Q'TY 1/1 PC | REV. 1 |
| FILE | | SERCOMA | DIM IN MM | REV. DATE 2020,07,01 |

USED