

1

2

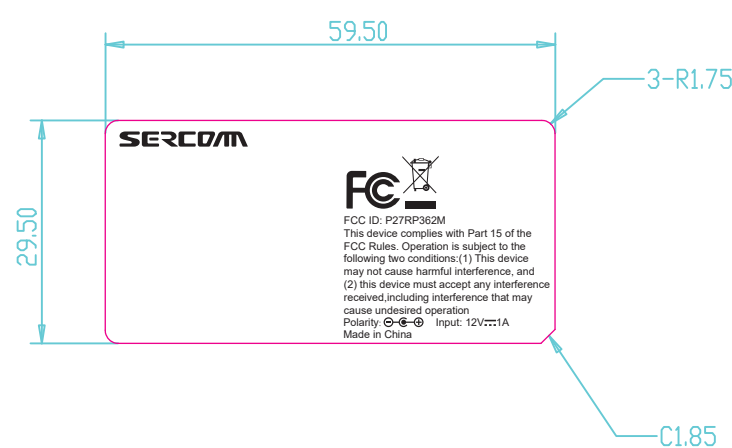
3

4

5

Scale/1:1
Unit/mm
DO NOT SCALE DRAWING

R1	Initial Release	20191216
R2	Update model name	20191227
R3	Add:FCC ID: P27XXXXXX及以下 FCC警语	20200217
R4	Add:Sercomm P/N	20200224
R5	Add:FCC ID: P27RP362M	20200306
R6	for IP3421M-L/XX add: WiFi SSID: LIB-1234567 WiFi Password: 1234567890AB	20200316
R7	for 不同机种, WiFi SSID前缀不同	20200319
R8	Update:"Sercomm P/N" for"P/N"	20200323



刀模线不印刷 (DIM LINE NO PRINT)

TEXT SIZE:Arial/4Pt
Barcode: Code 128

依实际需求列印不同Model & Sercomm P/N

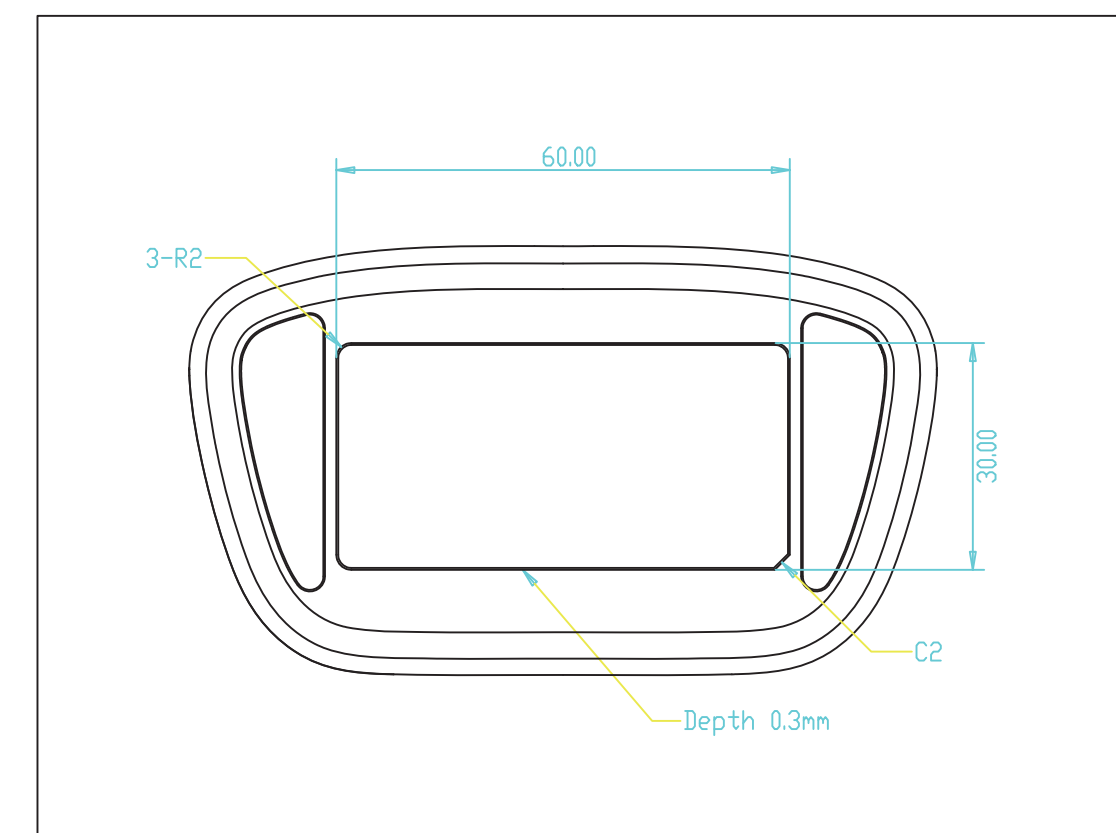
Sercomm P/N	Description	Customer	SSID前缀不同
DDFC0500E55	RP362M-L/US,Liberty Latin America,US PWR ADPT	LLA	
DDFC0500E51	RP362M-L/CL,Liberty Latin America,EU PWR ADPT	LLA	S-LIB-xxxxxxx
DDFC1500E55	IP3421M-L/US,Liberty Latin America,US PWR ADPT	LLA	
DDFC1500E51	IP3421M-L/CL,Liberty Latin America,EU PWR ADPT	LLA	
DDFC0500ER5	RP362M-M/US,Minim,US PWR ADPT	Minim	
DDFC2500E55	IP3421M-M/US,router,Minim,US PWR ADPT	Minim	S-SR-xxxxxxx
DDFC3500EX1	IP3421M-J/EU,router,Indeto,EU PWR ADPT	Indeto	

SN: ymmcccnnnnnn (13 digits Sercomm SN)
yy : last two digit (19 for 2019)
mm : 01-12
ccc : product code
nnnnn : serial number

厂内列印示意, 具体依实际需求为准
(The factory Print example)

Notes:

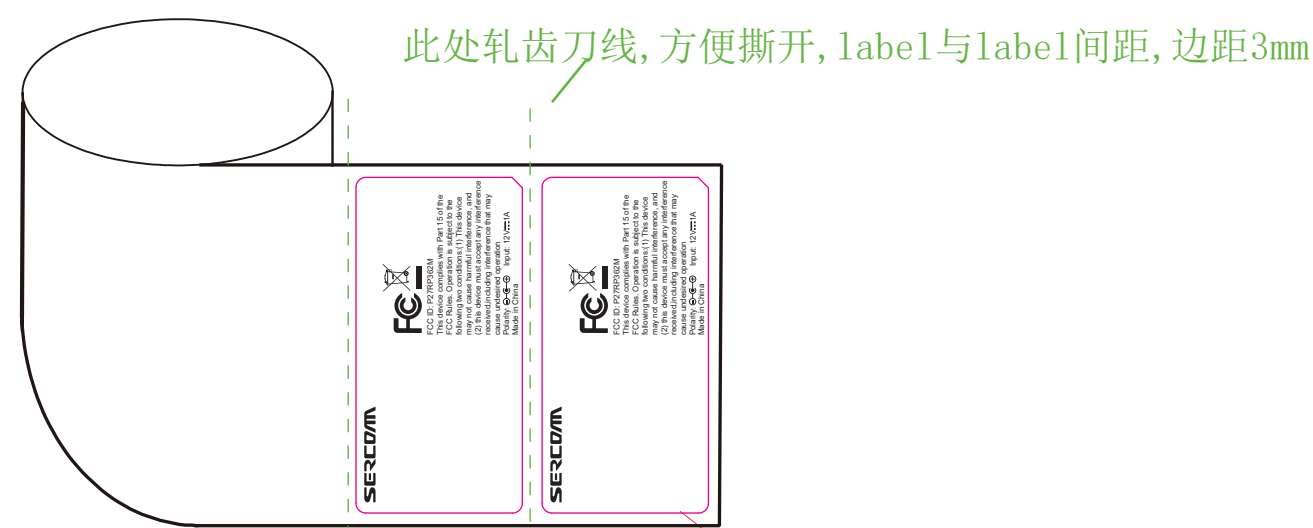
1. 材質: 50#白色Mylar, 上打字用雾面PET
2. 背压花胶
3. 尺寸/印刷: 如图
4. 公差: 0. - 0.2mm
5. 本料件使用之材料須符合RoHS & UL
Wetting tension (表面张力) >=32dyne/cm



label与机构件匹配尺寸图
<Scale: 1:1>

Notes:

- 1.MATERIAL: #50 white Mylar, Can type with matt PET
- 2.ADHESIVE:Embossed Adhesive
- 3.SIZE:as drawing
- 4.PRINTING COLOR:as note
- 5.TOLERANCES:0,- 0.2mm
- 6.The material must comply with RoHS & UL
Wetting tension (表面张力) >=32dyne/cm



單位用量1

DONOTSCALEDRAWING

MODEL	Andes-D	NAME	Product label/Liberty Latin America		SCALE	1 / 1
DSN	Judy Du	PART. No	932DFC01E5		SHEET	1 OF 1
CHK	Fanking Fan	MATERIAL	#50 white Mylar	Q' TY	1 PC	REV. 8
APV	Fanking Fan				REV. DATE	
FILE					2020.03.23	

USED