

1

2

3

4

5

Scale/1:1
Unit/mm
DO NOT SCALE DRAWING

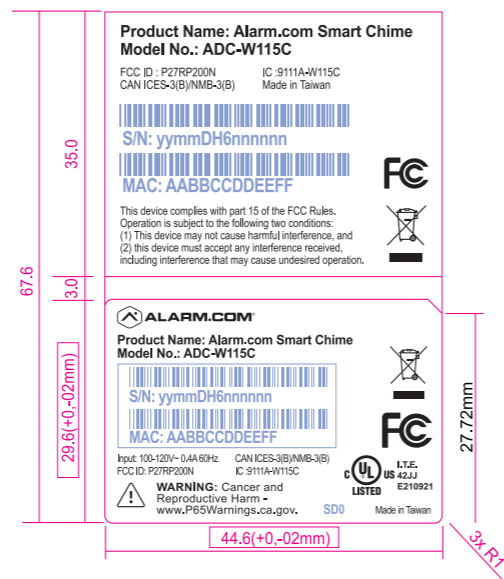
REV.	ZONE	DATE	EXPLAIN

A

B

C

D



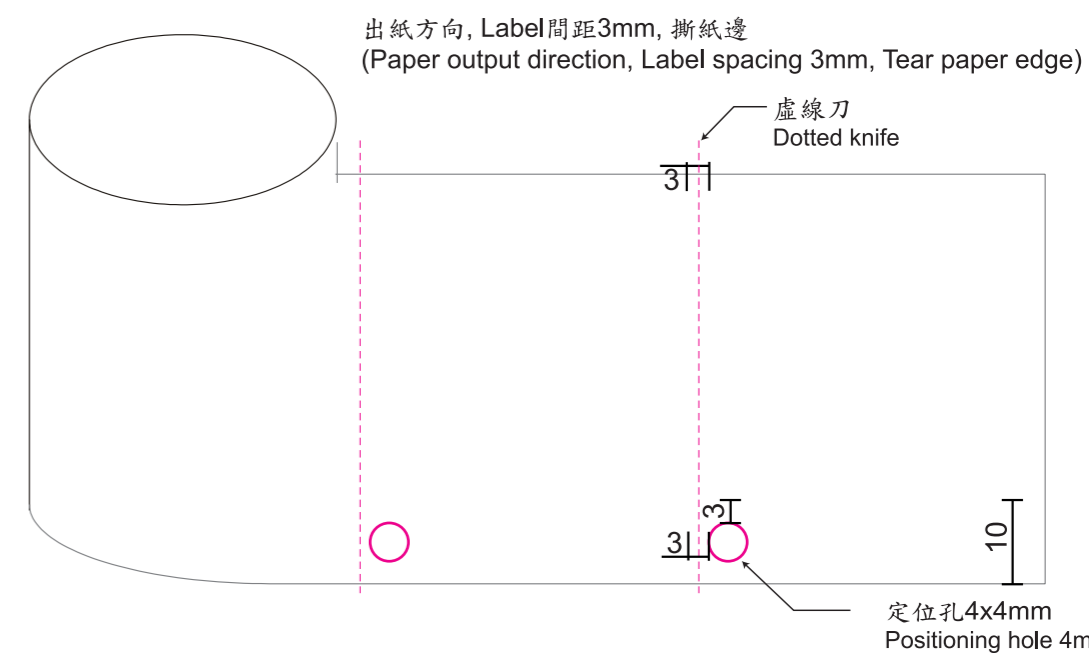
- 印刷色:黑色/ Printing Color: Black
- 藍色線條/字樣為工廠列印辨識使用
Blue lines / typefaces are used for factory print identification
- 紅框為刀模線不印刷(The red frame is not printed for the die line)

Notes:

- 1.材質: 50#白色Mylar, 上打字用霧膜PET
Material: 50 # white Mylar, fog film PET for typing
- 2.背壓花膠/成捲
Back embossed gelatin/ roll
- 3.印刷/尺寸如圖示:
Printing/ Size: as shown
- 4.方框內尺寸為重點檢驗尺寸
The size in the box is the key inspection size
- 5.公差: +0,- 0.2mm
Tolerance: + 0,-0.2mm
- 6.本料件使用之材料須符合
The materials used in this part must be RoHS compliant RoHS

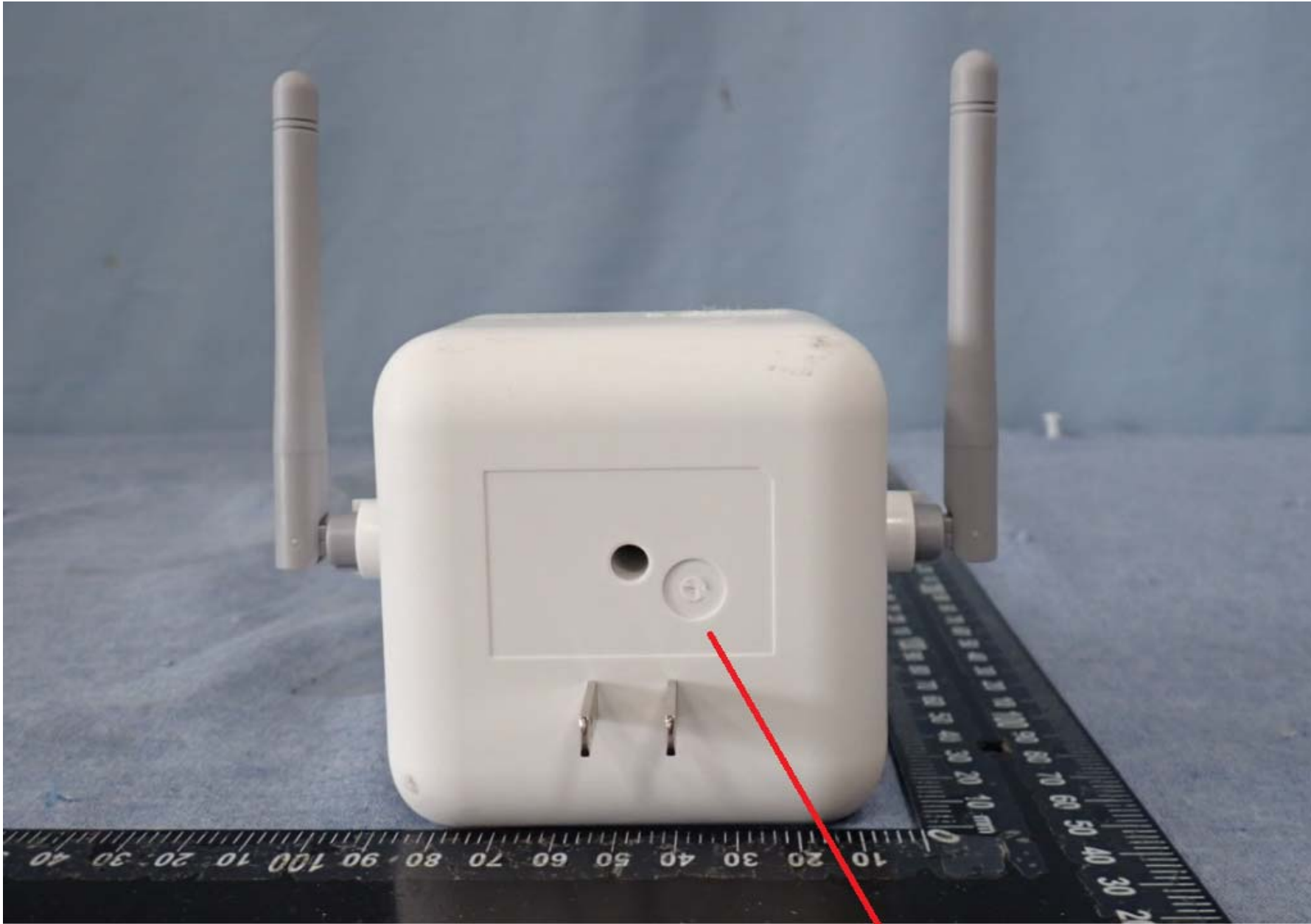
1*單位用量 (Unit dosage)*1

來料方式 (Incoming method)



DO NOT SCALE DRAWING

CONFIDENTIAL PROPRIETARY				Tooling Name
MODEL	W115C(RP200N-SCM)	NAME	Alarm.Com,Product Label	
DSN		PART. NO	932DH600TR	
CHK		MATERIAL	Q'TY 1 /PC	REV. A
APV		SERCOMM	DIM IN MM	REV. DATE
FILE	SERCOMM			2020.07.30



Label Location

ADC-W115C



2006DH6000001

Product Name: Alarm.com Smart Chime
Model No.: ADC-W115C

FCC ID : P27RP200N
CAN ICES-3(B)/NMB-3(B)

IC :9111A-W115C
Made in Taiwan



S/N: yymmDH6nnnnnn



MAC: AABBCCDDEEFF



This device complies with part 15 of the FCC Rules.
Operation is subject to the following two conditions:
(1) This device may not cause harmful interference, and
(2) this device must accept any interference received,
including interference that may cause undesired operation.



The warning statement in section 15.19 is on the outer box.

Product Name: Extender+Chime

Model No.: RP200N-SCM

FCC



S/N: yymmDC6nnnnnn



MAC: AABBCDDEEFF



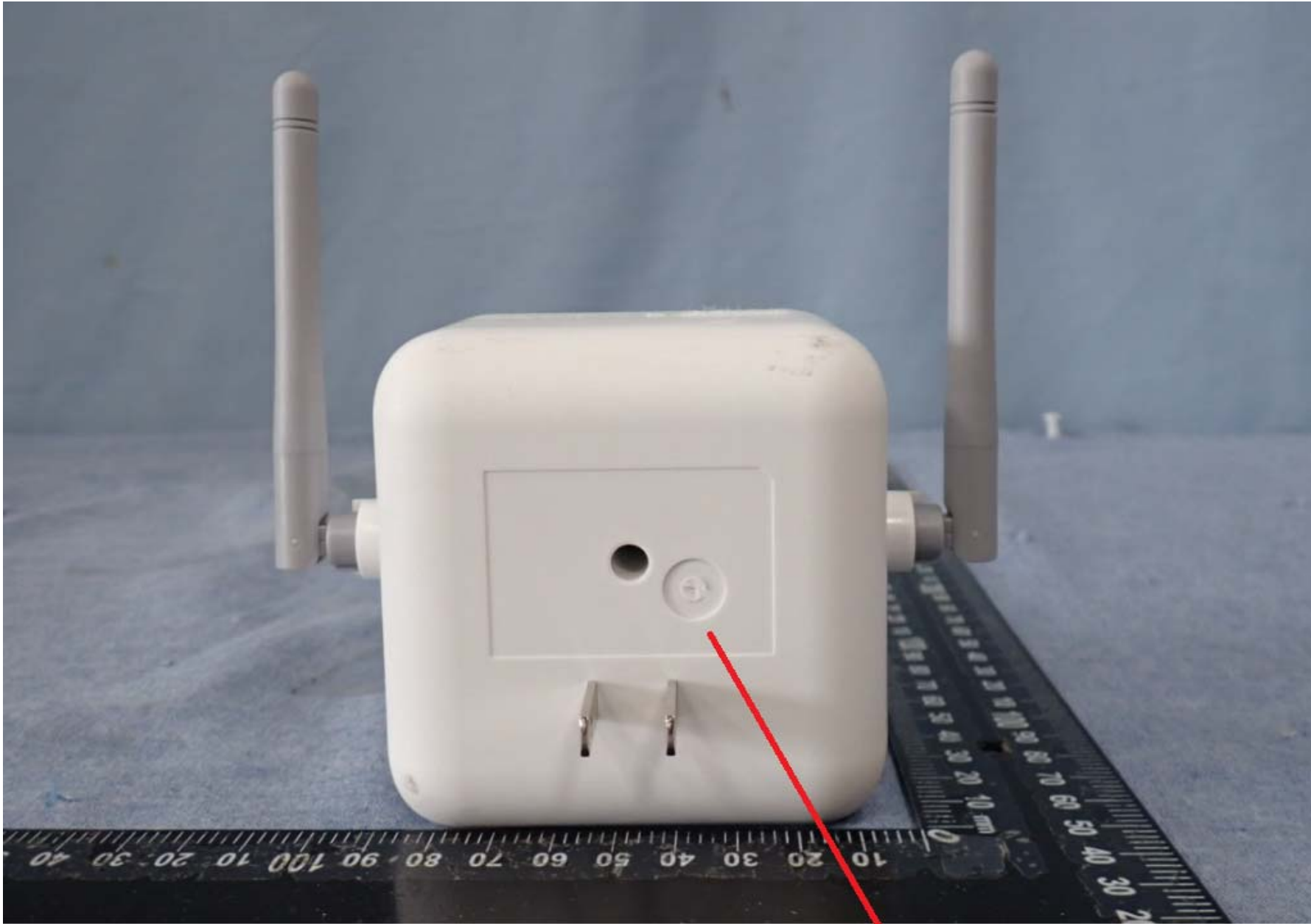
**I.T.E.
42JJ
E210921**

Input: 100-120V~ 0.4A 60Hz

FCC ID : P27RP200N

Made in Taiwan

This device complies with Part 15 of the FCC Rules. Operation is subject to the following two conditions: (1) This device may not cause harmful interference, and (2) this device must accept any interference received, including interference that may cause undesired operation.



Label Location

RP200N-SCM



2006DH6000001

Product Name: ExtenderChime
Model No.: RP200N-SCM



S/N: yymmDC6nnnnnn



MAC: AABBCCDDEEFF

Input: 100-120V~ 0.4A 60Hz
FCC ID : P27RP200N
Made in Taiwan



I.T.E.
US 42JJ
E210921

This device complies with Part 15 of the FCC Rules. Operation is subject to the following two conditions: (1) This device may not cause harmful interference, and (2) this device must accept any interference received, including interference that may cause undesired operation.

The warning statement in section 15.19 is on the outer box.