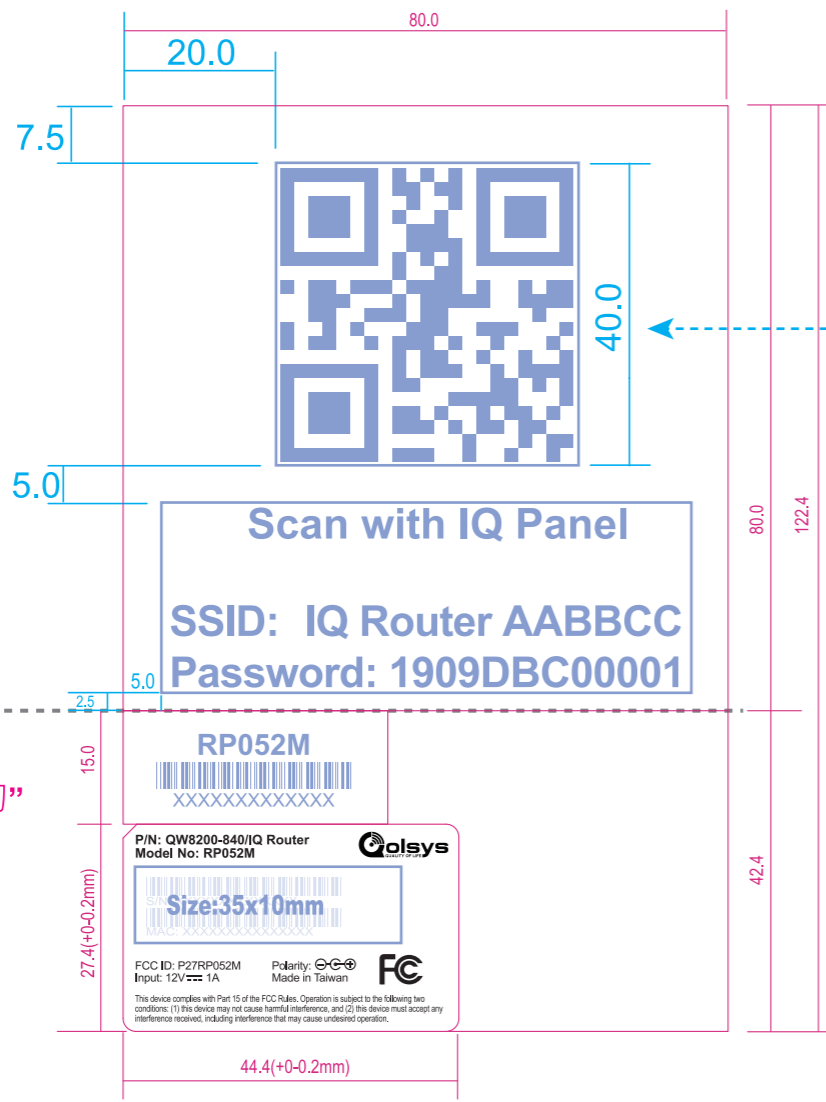


Scale/1:1
Unit/mm
DO NOT SCALE DRAWING



QR Code Label打印資料

QR Code
Version 3 QR Code
Size: 40mm x 40mm
String: WIFI:S:[SSID];T:[WPA];P:[password];;

Info
Outline of Info is only for setting boundary.
Do not print outline around text field.

Font: Cabin
Size: 16
Contents: -----

Scan with IQ Panel
SSID: IQ Panel AABCC
Password: SN

where AABCC are last octets of WLAN (label) MAC
where SN is serial number
Default SSID and Password should be traceable to device label

Print Information
Paper: Art Paper 150P
DPI: 300dpi
Color: black ink on white paper

1) QR Code:
WIFI:S:[IQ Router 142E5E0A45CC];T:WPA;P:[1909DBC00001];;
2) 文字 "Scan with IQ Panel"
3) SSID: IQ Router 142E5E0A45CC
4) Password: 1909DBC00001

此處底紙加"虛線刀"

Notes:

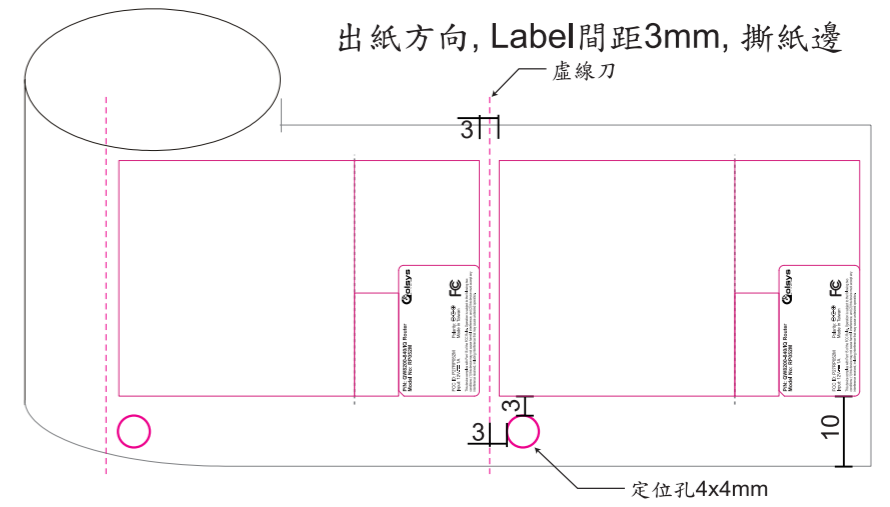
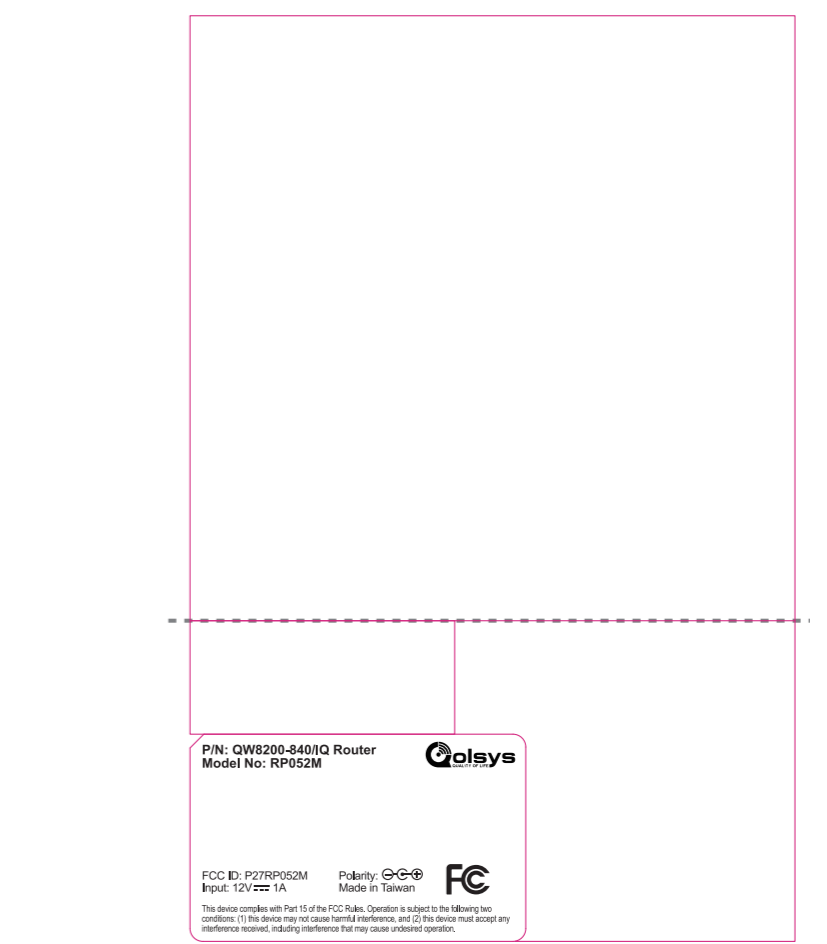
- 1.材質: 50#白色Mylar,上打字用霧面PET
- 2.背壓花膠/葛拉馨底紙,成捲
- 3.尺寸/印刷:如圖示
- 4.方框內尺寸為重點檢驗尺寸
- 5.公差:+0,- 0.2mm
- 6.本料件使用之材料須符合RoHS

- : Black
- : 藍色線條/字樣為工廠列印辨識使用,無須印刷
- : 紅框為刀模線不印刷

1	← 訂正			
---	------	--	--	--

1* 單位用量

來料方式

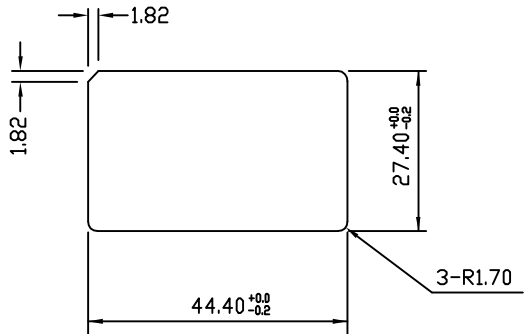


DONOTSCALEDRAWING

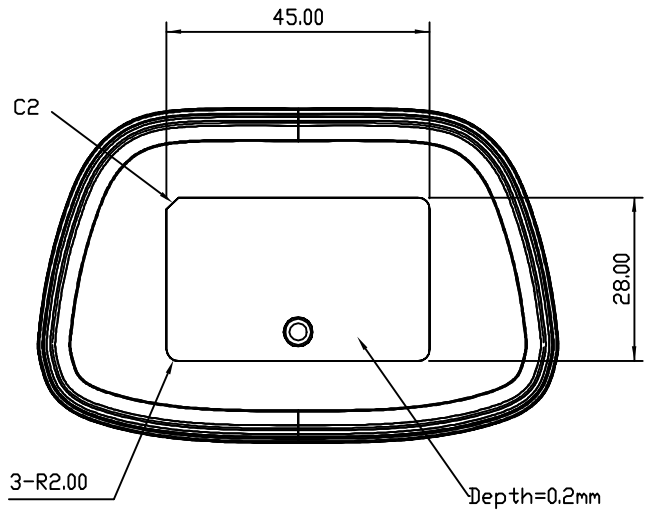
MODEL	RP052M	NAME	消銀龍/Qolsys	SCALE	1 / 1
DSN	Katy	PART. No	932DBC02AV	SHEET	OF
CHK		MATERIAL		Q' TY	PC
APV					
FILE					

USED

1	Release	Judy Yang	2019/08/17



ADHESIVE



GRADE		V							Tooling name	
DIM	A	B	C	D	MODEL	BC950	NAME	LABEL	SCALE 1.000	
0-8	.05	0.1	0.2	0.4	DSN	Judy Yang	PART NO.		SHEET 1 OF 1	
8-25	.08	.15	0.3	0.6	APV	Martin Hung	MATERIAL		REV. 1	
25-80	.12	.25	0.5	1.0	Color					
80-250	.25	0.4	0.8	1.5	Finish					
250-800	.50	0.8	1.5	3.0						

SERCOMA



REV. DATA
2019/08/17