
Wireless Full HD Network Camera



User's Guide

Table of Contents

CHAPTER 1 INTRODUCTION.....	1
Overview	1
Physical Details - Wireless Indoor Camera.....	2
Package Contents	4
CHAPTER 2 BASIC SETUP	5
System Requirements.....	5
Installation	5
Wall/Ceiling Installation	6
CHAPTER 3 VIEWING LIVE VIDEO	7
Overview	7
Requirements.....	7
Connecting to a Camera on your WLAN.....	7
APPENDIX A REGULATORY APPROVALS.....	9
Regulatory Approvals	9

Copyright © 2021. All Rights Reserved.

Document Version: 1.0

All trademarks and trade names are the properties of their respective owners.

Chapter 1

1

Introduction

This Chapter provides information of the Wireless Indoor Camera's features, components and capabilities.

Overview

Congratulations on the purchase of your new Wireless Indoor Camera. This Camera is a Camera with 1080p resolution and 802.11n WiFi connectivity.

Features

- **Standalone Design.** The Wireless Indoor Camera is a standalone system with built-in CPU and Video encoder. It requires only a power source and a connection to your Wireless device.
- **Suitable for Home, Business or Public Facilities.** Whether for Home, Business or Public Facility surveillance, or just for entertainment and fun, the Wireless Indoor Camera has the features you need.
- **Day/Night Switch.** With the day/night switching feature, you are able to view and record better images even in the dark of night.
- **Micro SD Card Slot.** With the slot, you can insert the Micro SD card to store recording files.
- **Audio Support.** You can listen as well as look! Audio is encoded with the video if desired. With built-in microphone, it is useful for bi-direction voice conversation.
- **IR LED Support.** Each Wireless Indoor Camera has one infrared LED. The LED can provide illumination around 5 meters long, that can help to output a better video quality while under low-light conditions such as indoors, on cloudy days, or in the morning/evening.
- **Privacy Mode Support.** With the built-in privacy shutter, users can prevent others from viewing live video on a camera unless authorized by the client.

Wireless Features

- **Supports IEEE 802.11n Wireless Standard.** The IEEE 802.11n standard provides backward compatibility with the IEEE 802.11b/g standards. The camera can work with all IEEE 802.11b/g/n Wireless stations.
- **WPS Support.** WPS (WiFi Protected Setup) can simplify the process of connecting any device to the wireless network by using the push button configuration (PBC) on the Wireless Indoor Camera, or entering a PIN code if there's no button.

Physical Details - Wireless Indoor Camera

Front Panel



Figure 1: Front Panel

Lens	Ensure that the lens cover is clean. The image quality is degraded if the lens cover is dirty or smudged.
Privacy Shutter	The shutter is used to provide privacy for users.
IR LED	The IR LED provides illumination at night or in a dark environment.
Microphone	The built-in microphone is used for bi-direction voice conversation.
Light Sensor	Hardware sensor to detect LUX.

LED Table

LED	Color	Descriptions
System LED	Green	Off - Power off.
		On - Power is on and wireless connection is available. Flashing - Device is booting. Fast Flashing - WPS association is in process.
	Red	On - Wireless connection is not available. Flashing - WPS association fails.
	Green+Red	Flashing - Device is upgrading.
	Orange	On - Privacy shutter function is on.

Back Panel

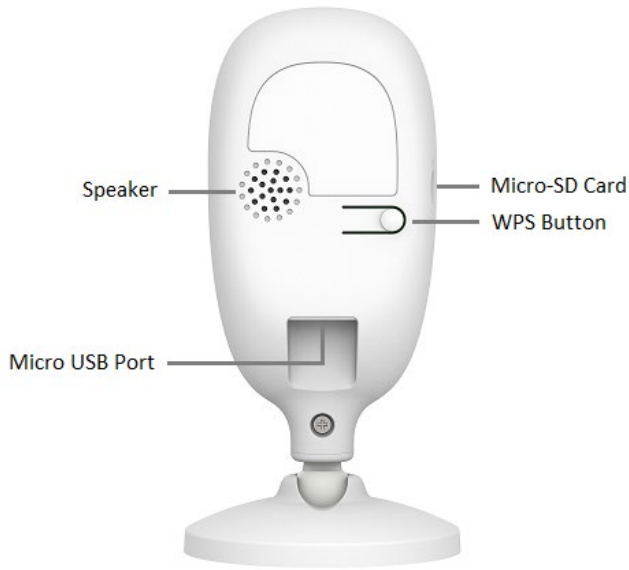


Figure 2: Back Panel

Micro SD Card	Insert the Micro SD card into the slot, if required.
WPS/Reset Button	<p>Push the WPS button on the camera and connect the wireless device to perform WPS function that easily creates an encryption-secured wireless connection automatically.</p> <ul style="list-style-type: none"> • WPS PBC Mode. When pressed and released (less than 3 seconds), the Wireless Indoor Camera will be in the WPS PBC mode (Auto link mode). • WPS Pin Code Mode. When pressed and held for 3-10 seconds, the Wireless Indoor Camera will be in the WPS Pin Code mode. • Reset to manufacturer default valued and reboot. When pressed and held over 10 seconds, the settings of Wireless Indoor Camera will be set to their default values.
Micro USB Port	Connect the supplied 5V USB power adapter here. Do not use other power adapters; doing so may damage the camera.

Specification

Model	Wireless Full HD Network Camera
Dimensions	72.1mm (W) x 142.3mm (H) x 39.2mm (D)
Lens	F2.0, DFOV 120°
Operating Temperature	0° C to 40° C
Storage Temperature	-20° C to 70° C
Image resolution	1080p (1920*1080), 720p (1280*720)
Video compression	H.264
Network Protocols	TCP/IP, HTTP, HTTPS, DHCP, SMTP, FTP, UPnP, NTP, RTCP, DNS
Wireless interface	IEEE 802.11n, WPA2 Personal Mixed Mode
Power Adapter	5V / 1A, 100 - 240V

Package Contents

The following items should be included in the package: If any of these items are damaged or missing, please contact your dealer immediately.

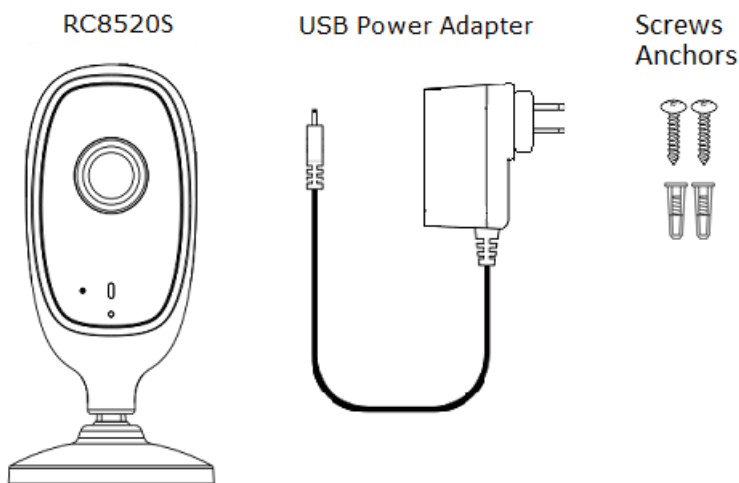


Figure 3: Package Contents

Chapter 2

Basic Setup



This Chapter provides information on how to install and configure the Wireless Indoor Camera.

System Requirements

- To use the Wireless interface on the wireless model, other Wireless devices must be compliant with the IEEE802.11n, IEEE802.11b or IEEE802.11g specifications. All Wireless stations must use compatible settings.



Mode: Infrastructure
SSID: ANY
Wireless Security: Disabled
Domain: USA
Channel No.: Auto

Installation

1. Find the Location

Identify the location for the Wireless Indoor Camera.

2. Power Up

Connect the supplied 5V/1A micro-USB power adapter to the Wireless Indoor Camera and power up. Please wait until LED solid light.

Note: Use only the power adapter provided. Using a different one may cause hardware damage.)

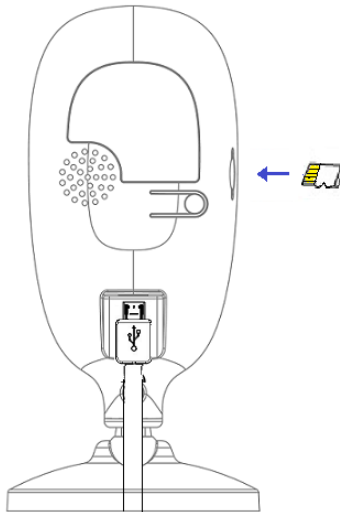


Figure 4: Installation

3. Insert Micro SD Card

Insert the micro SD card into the slot if needed.

4. Internet Connection

Press the WPS button on the camera for 3-5 seconds and on your other wireless device as well to establish a wireless connection automatically. The wireless connection is successful when the LED (green) remains on.

5. Check the LEDs

The LED will turn on briefly, then start blinking. It will blink during startup, which will take 55 to 57 seconds. After startup is completed, the green LED should remain ON.

Wall/Ceiling Installation

1. Use a coin to release the mounting plate from the stand.

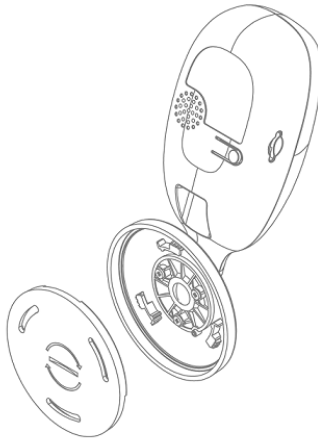


Figure 5: Mounting Plate

2. Hold the mounting plate at the location where you would like to mount the camera and mark the location of the two mounting holes.
3. Drill two holes on the mounting surface at the marked locations.
4. Mount the plate to the surface using the two screws supplied.
5. Slide the camera stand onto the mounting plate until it clicks into place.

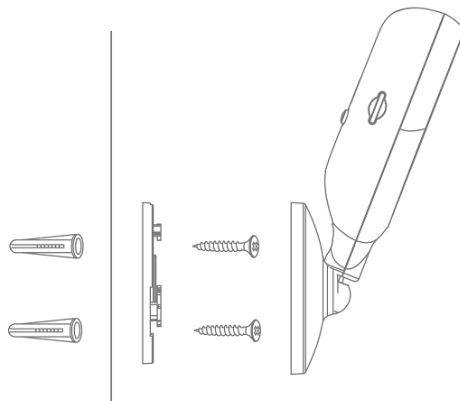


Figure 6: Wall Mounting

Chapter 3

3

Viewing Live Video

This Chapter provides basic information about viewing live video.

Overview

After finishing setup via the Windows-based Wizard, all WLAN users can view live video using web browsers.

This chapter has details of viewing live video using Web Browser.

But many other powerful features and options are available:

- The camera administrator can also adjust the Video Stream, and restrict access to the video stream to known users by requiring viewers to supply a username and password.
- To make Live Video from the camera available via the Internet, your Gateway or Router must be configured correctly.

Requirements

To view the live video stream generated by the Wireless Indoor Camera, you need to meet the following requirements:

- Windows 8/9/10.
- Microsoft Edge, Firefox, Chrome.

Connecting to a Camera on your WLAN

To establish a connection from your PC to the Wireless Indoor Camera:

1. Start Web Browser.
2. In the Address box, enter "HTTP://" and the IP Address of the Wireless Indoor Camera.

3. When you connect, the following screen will be displayed.

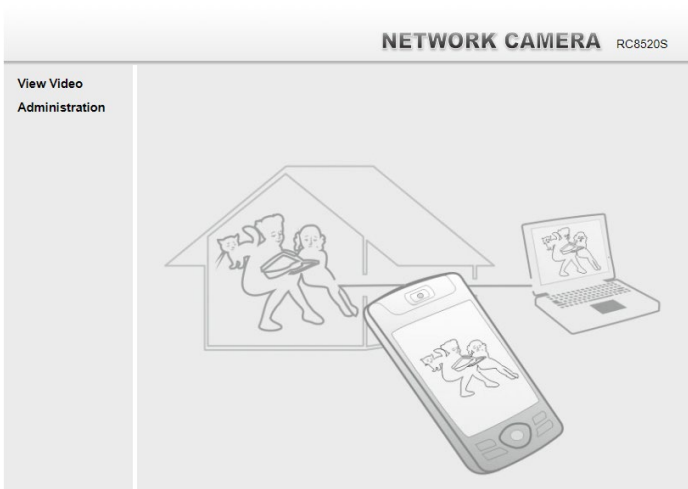


Figure 7: Home Screen

4. Click *View Video*.
5. The first time you connect to the camera, you will be prompted to install decoders. Click "OK".
6. If the Administrator has restricted access to known users, you will then be prompted for a username and password. Enter the name and password assigned to you by the Wireless Indoor Camera administrator.



Note!

The default log-in Administration:

User Name: administrator

Password: Blank

7. Video will start playing automatically. There may be a delay of a few seconds while the video stream is buffered.
8. Access the Administration for more Wireless Indoor Camera settings on GUI.



Once the Wireless Indoor Camera is doing FW upgrade, it forbids cutting power off.



Appendix A

Regulatory Approvals

Regulatory Approvals

FCC Statement

This equipment generates, uses and can radiate radio frequency energy and, if not installed and used in accordance with the instructions, may cause harmful interference to radio communications. However, there is no guarantee that interference will not occur in a particular installation. If this equipment does cause harmful interference to radio or television reception, which can be determined by turning the equipment off and on, the user is encouraged to try to correct the interference by one of the following measures:

- Reorient or relocate the receiving antenna.
- Increase the separation between the equipment and receiver.
- Connect the equipment into an outlet on a circuit different from that to which the receiver is connected.
 - Consult the dealer or an experienced radio/TV technician for help.

To assure continued compliance, any changes or modifications not expressly approved by the party responsible for compliance could void the user's authority to operate this equipment. (Example - use only shielded interface cables when connecting to computer or peripheral devices).

FCC Radiation Exposure Statement

This equipment complies with FCC RF radiation exposure limits set forth for an uncontrolled environment. This equipment should be installed and operated with a minimum distance of 20 centimeters between the radiator and your body.

This device complies with Part 15 of the FCC Rules. Operation is subject to the following two conditions:

- (1) This device may not cause harmful interference, and
- (2) This device must accept any interference received, including interference that may cause undesired operation.

This transmitter must not be co-located or operating in conjunction with any other antenna or transmitter.

CE Approvals

This device complies with Directive 2014/53/EU issued by the Commission of the European Community.

Declaration of Conformity

-EN55032

-EN300328

This is a Class B product. In a domestic environment this product may cause radio interference in which case the user may be required to take adequate measures.