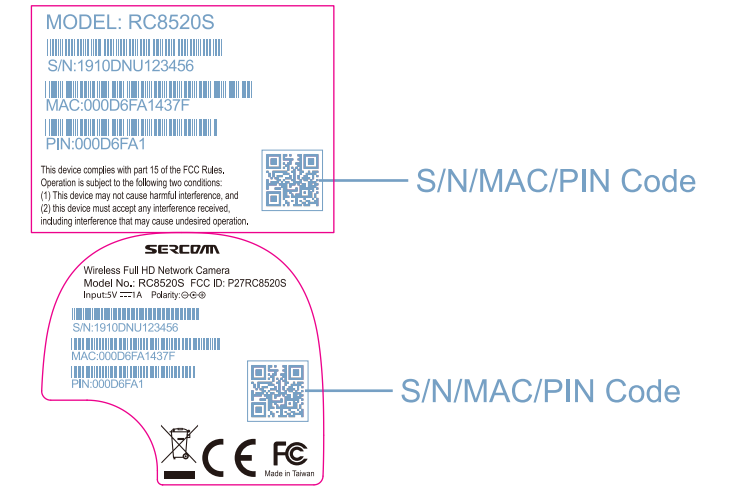
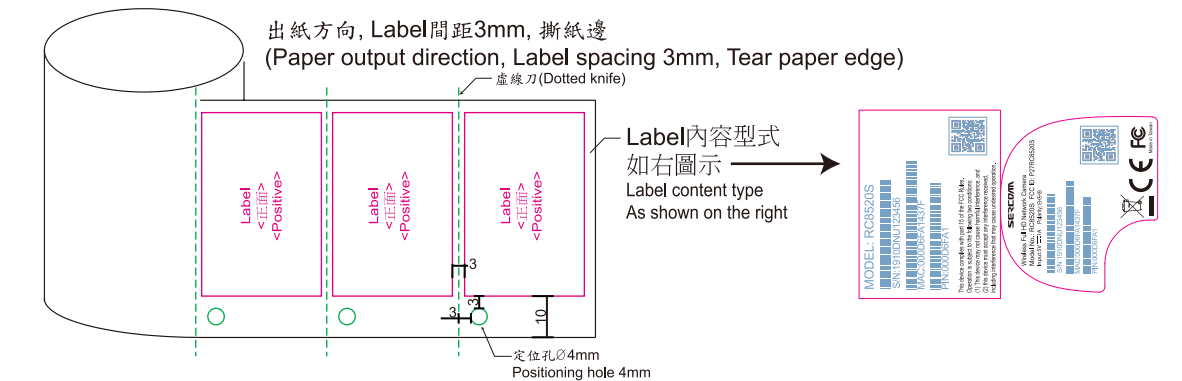


PRINTING DETAILS



- 文字/符號(Text/Icon) Color==>Pantone Black C
- 印刷油墨(Printing ink)==>UV161-SP2
- 藍色線條/字樣為工廠列印辨識使用
- 紅框為刀模線不印刷 (The red frame is not printed for the die line)
- 無須印刷(碳帶顏色為Pantone Black C)
- Blue lines / typefaces are used for factory print identification
- No printing required (color ribbon Pantone Black C)



TOLERANCE TABLE FOR ME HOUSING PRINTING 外殼類印刷公差表 PLEASE REFER TO GRADE "A" 請參考A級公差

Printing Location 印刷位置公差	Tolerance Grade		Printing Content 印刷尺寸公差	Tolerance Grade	
	A	B		A	B
DIM.	A	B	DIM.	A	B
0 < DIM. ≤ 1.0	±0.10	±0.15	0 < DIM. ≤ 2.5	±0.10	±0.15
1.0 < DIM. ≤ 3.0	±0.15	±0.20	2.5 < DIM. ≤ 10.0	±0.15	±0.25
3.0 < DIM. ≤ 20.0	±0.20	±0.30	10.0 < DIM.	±0.20	±0.35
20.0 < DIM.	±0.25	±0.40			

ME HOUSING PRINTING ARTWORK NOTES

機台外殼印刷稿注意事項

- Don't make changes without permission from SERCOMM ME
在中磊結構工程師確認前,請不要改動圖面
- The size in the box is the key inspection size
方框內尺寸是重點檢驗尺寸
- Sercomm color chip number:(XXXX)
中磊色板編號 (XXXX)
- Please follow printing font for all letters and printing color
請根據圖面標示字體及顏色製作
- The materials used in this part must be RoHS compliant
印刷使用之材料須符合RoHS

PACKAGE PRINTING ARTWORK NOTES

包裝類印刷稿注意事項

- Don't make changes without permission from SERCOMM PE
在中磊包裝工程師確認前,請不要改動圖面
- The size in the box is the key inspection size
方框內尺寸是重點檢驗尺寸
- Material: 50#white Mylar,fog film PET for typing(Model:FR1125-25)
材質:50#白色Mylar,上打字用霧膜PET(型號:FR1125-25)
- Back embossed gelatin/Geracin backing paper,roll
背壓花膠/葛拉馨底紙,成卷
- The materials used in this part must be RoHS compliant
本材料使用之材料須符合RoHS

REVISION NOTES

版本說明

V1.0 2021.11.18 Release

MODEL DETAILS

機種信息

MODEL NAME :	RC8520S
PART No. :	932DNU0101
REVISION:	1.0
ME ENGINEER:	Keita_Wang
DESIGNER :	Maggie_Hsiao
DATE:	2021/11/18

1

2

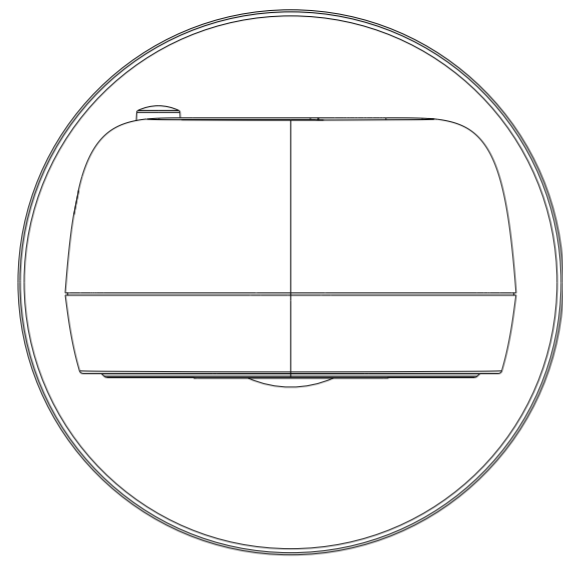
3

4

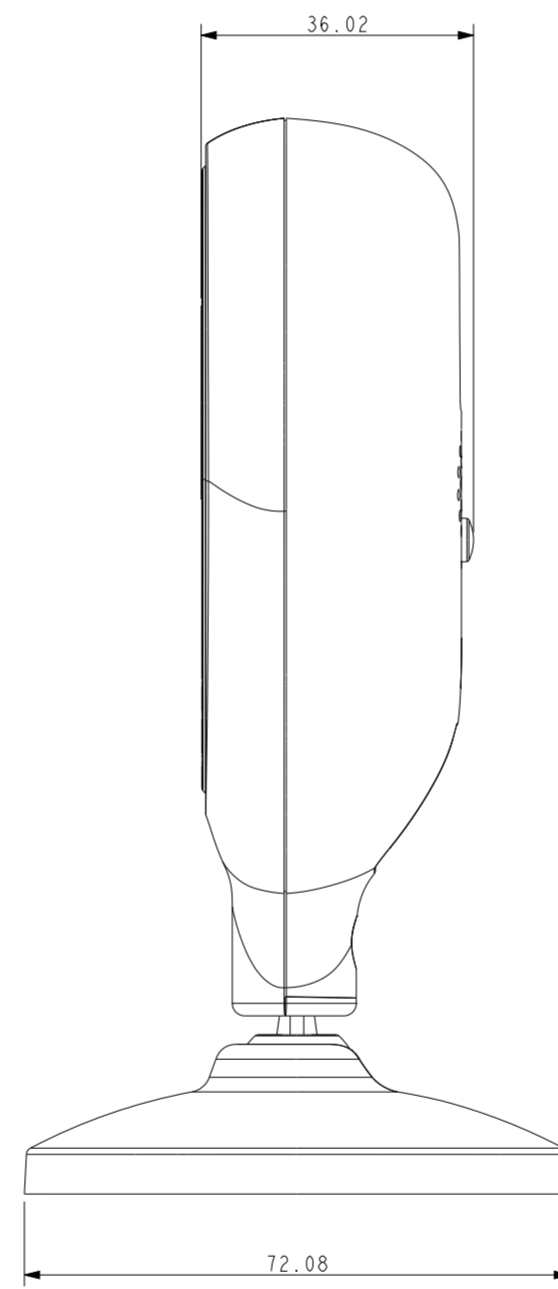
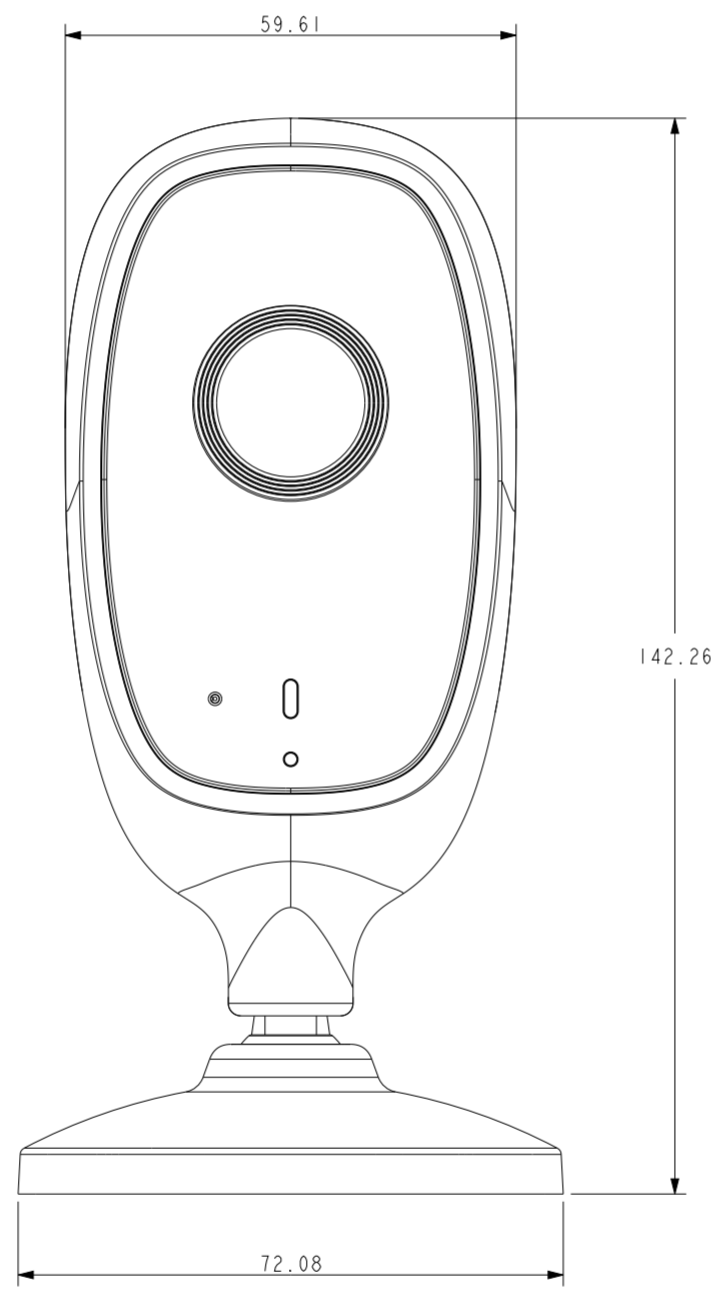
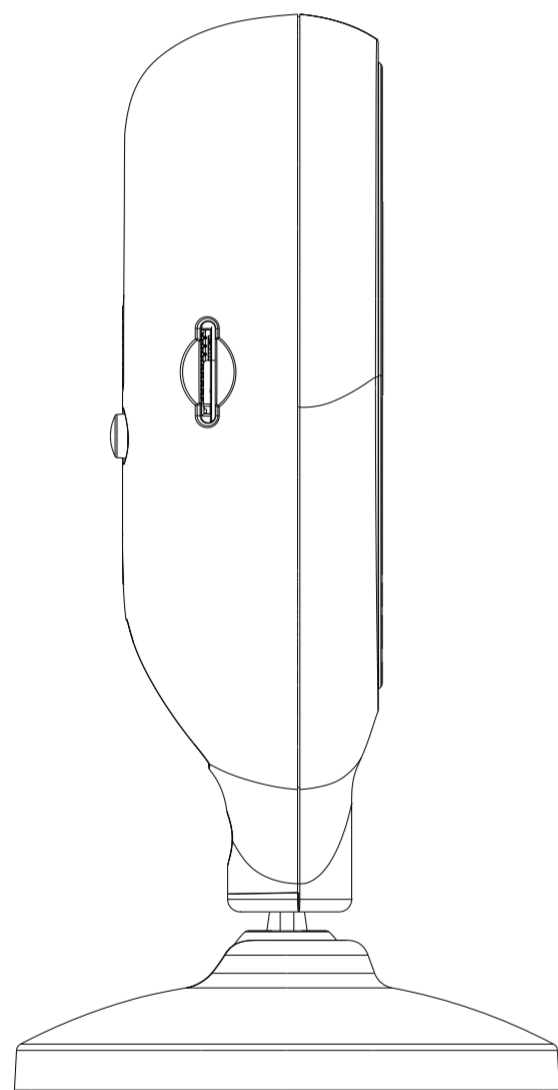
5

Rev	Explain	Name	Date
1	Release	Keita	

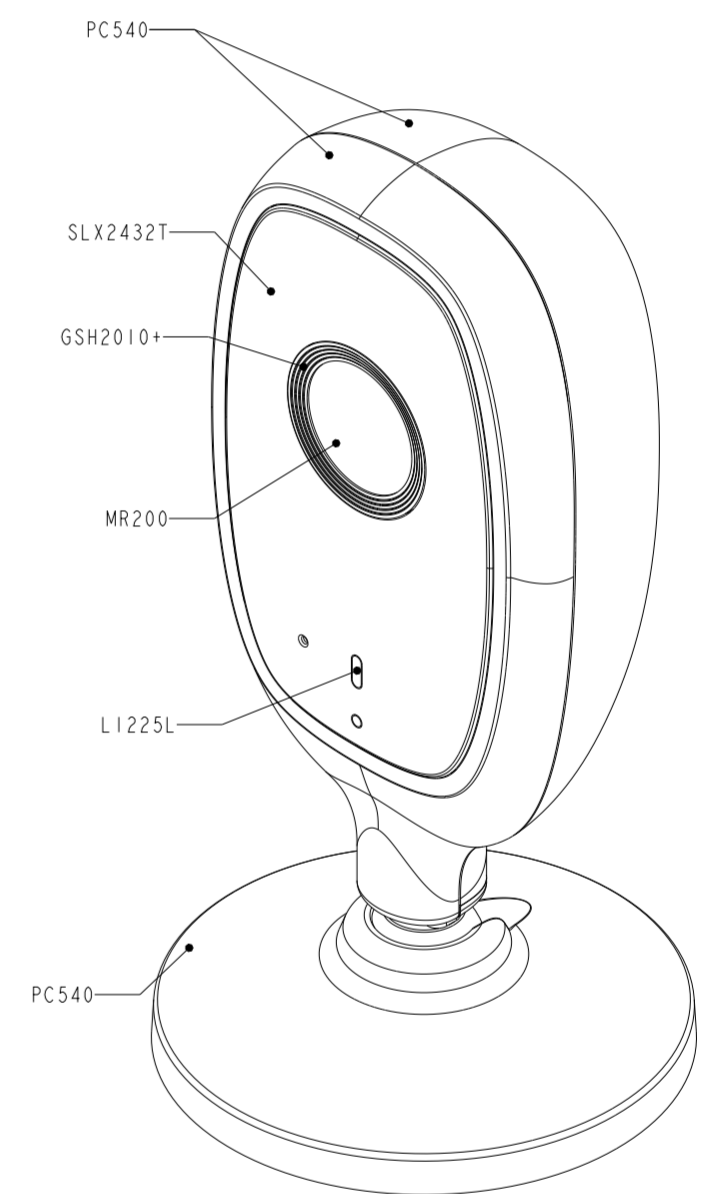
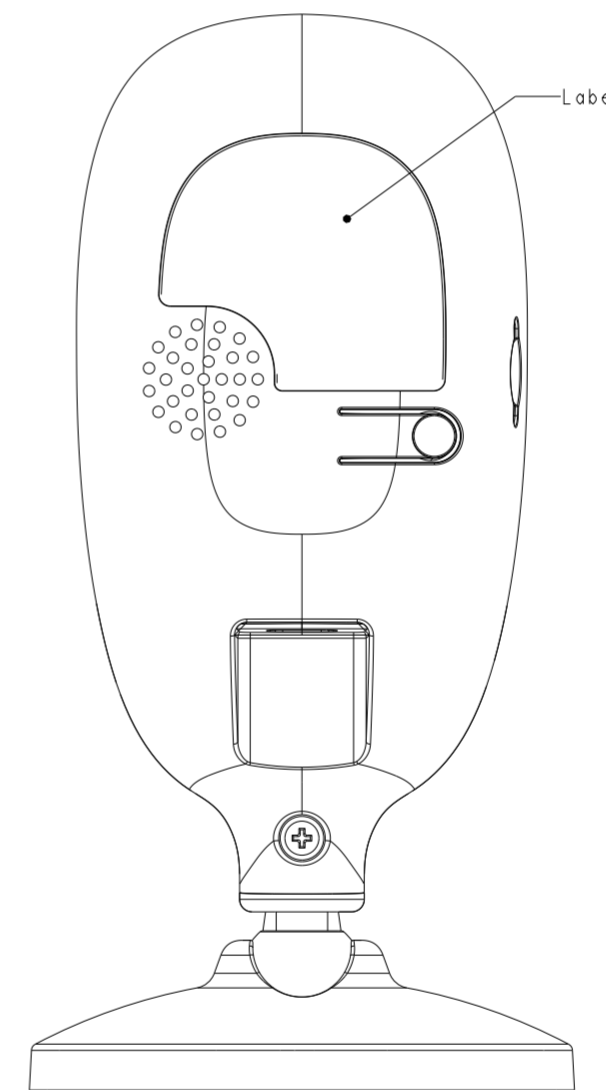
A



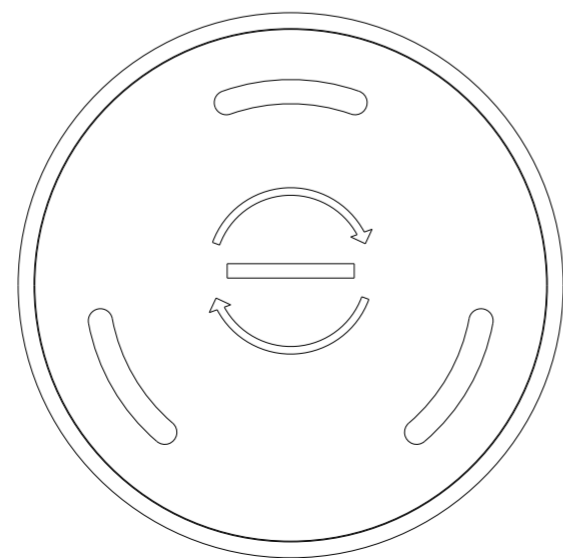
B



C



D

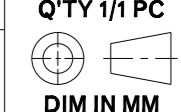


△ VERSION CHANGE
 □ IQC INSPECTION DIMENSION
 Refer to Table Level if Tolerance is not marked

Do Not Scale Drawing

GRADE	A	B	C	D	Top Secret			Tooling Name	
DIM.					MODEL	RC8520S	NAME	Outline	SCALE 1 / 1
0-8	0.05	0.1	0.2	0.4	DSN	Keita Wang	PART.NO		SHEET 1 OF 1
8-25	0.08	0.15	0.3	0.6	CHK	Donald Lee	MATERIAL	PC540	Q'TY 1/1 PC
25-80	0.12	0.25	0.5	1.0	APV	Jerry Wang			REV. A
80-250	0.25	0.4	0.8	1.5	FILE				DATE
250-800	0.5	0.8	1.5	3.0					21-09-24

SERCOM



DIM IN MM