

---

# **Indoor Full HD Wi-Fi Camera**

---



---

## **User's Guide**

---

# Table of Contents

---

<b>CHAPTER 1 INTRODUCTION.....</b>	<b>1</b>
<b>Overview .....</b>	<b>1</b>
<b>Physical Details - Indoor Full HD Wi-Fi Camera .....</b>	<b>2</b>
<b>Package Contents.....</b>	<b>4</b>
<b>CHAPTER 2 BASIC SETUP .....</b>	<b>5</b>
<b>System Requirements .....</b>	<b>5</b>
<b>Installation .....</b>	<b>5</b>
<b>Wall/Ceiling Mounting .....</b>	<b>7</b>
<b>Micro SD Card Installation .....</b>	<b>8</b>
<b>CHAPTER 3 VIEWING LIVE VIDEO.....</b>	<b>9</b>
<b>Overview .....</b>	<b>9</b>
<b>Requirements.....</b>	<b>9</b>
<b>Connecting to a Camera on your WLAN.....</b>	<b>9</b>
<b>APPENDIX A SPECIFICATIONS.....</b>	<b>11</b>
<b>Indoor Full HD Wi-Fi Camera .....</b>	<b>11</b>
<b>Regulatory Approvals.....</b>	<b>11</b>

Copyright © 2017. All Rights Reserved.

Document Version: 1.0

All trademarks and trade names are the properties of their respective owners.

# Chapter 1

## Introduction

*This Chapter provides information of the Indoor Full HD Wi-Fi Camera's features, components and capabilities.*

### Overview

Congratulations on the purchase of your new Indoor Full HD Wi-Fi Camera. The Camera is a True Day/Night Indoor Full HD Wi-Fi Camera with 1080p resolution and 802.11n WiFi connectivity.

Moreover, the duo-hinge and compact design of the camera can be extended from the wall/ceiling and easily moved around, while still being firm enough to hold for odd angles.

### Features

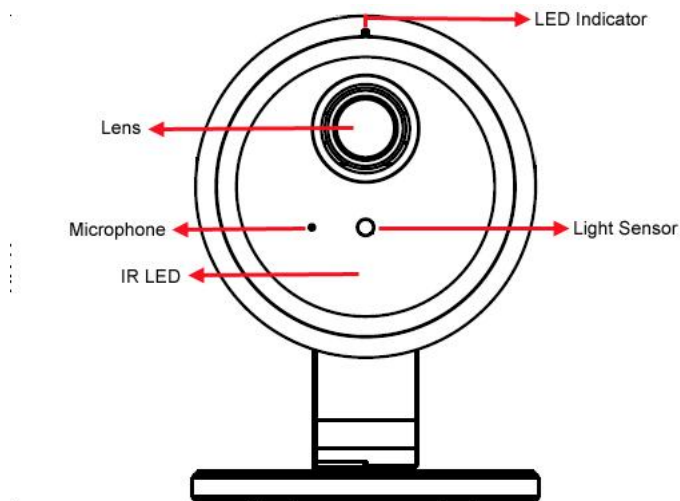
- **Standalone Design.** The Indoor Full HD Wi-Fi Camera is a standalone system with built-in CPU and Video encoder. It requires only a power source and a connection to your Wireless iHub.
- **Dual Video Support.** The Indoor Full HD Wi-Fi Camera can support H.264 and MJPEG video for different image compression.
- **Suitable for Home, Business or Public Facilities.** Whether for Home, Business or Public Facility surveillance, or just for entertainment and fun, the Indoor Full HD Wi-Fi Camera has the features you need.
- **Day/Night Switch.** With the day/night switching feature, you are able to view and record better images even in the dark of night.
- **Micro SD Card Slot.** With the slot, you can insert the Micro SD card to store recording files.
- **Audio Support.** You can listen as well as look! Audio is encoded with the video if desired. With built-in microphone, it is useful for bi-direction voice conversation.

### Wireless Features

- **Supports 802.11n Wireless Standard.** The 802.11n standard provides backward compatibility with the 802.11b and g standards. The camera can work with all 802.11n, 802.11b and 802.11g Wireless stations.
- **WPS Support.** WPS (WiFi Protected Setup) can simplify the process of connecting any device to the wireless network by using the push button configuration (PBC) on the Indoor Full HD Wi-Fi Camera, or entering a PIN code if there's no button.

# Physical Details - Indoor Full HD Wi-Fi Camera

## Front Panel



**Figure 1: Front Panel**

### **Power/Network/WPS LED (Green/Red)**

**Off** - Power off.

**On (Green)** - Power is on and wireless connection is available.

**Flashing (Green)** - Device is booting.

**Fast Flashing (Green)** - WPS association is in process.

**On (Red)** - Wireless connection is not available.

**Flashing (Red)** - WPS association fails.

**Flashing (Green/Red)** - Device is upgrading.

### **Lens**

Ensure that the lens cover is clean. The image quality is degraded if the lens cover is dirty or smudged.

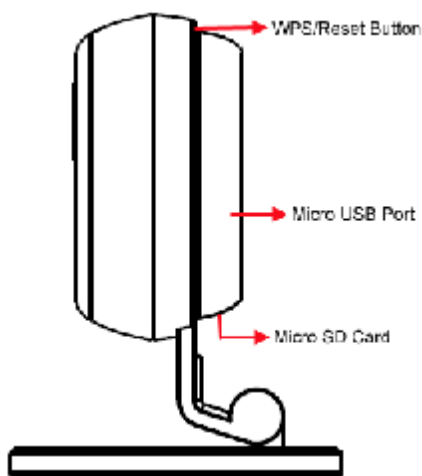
### **Microphone**

The built-in microphone is useful for bi-direction voice conversation.

### **Light Sensor**

This is hardware sensor to detect LUX.

## Side Panel



**Figure 2: Side Panel**

### **WPS/Reset Button**

Push the WPS button on the camera and on your other wireless device to perform WPS function that easily creates an encryption-secured wireless connection automatically.

- **WPS PBC Mode.** When pressed and released (less than 3 seconds), the Indoor Full HD Wi-Fi Camera will be in the WPS PBC mode (Auto link mode).
- **WPS Pin Code Mode.** When pressed and held for over 3 seconds, the Indoor Full HD Wi-Fi Camera will be in the WPS Pin Code mode.
- **Reset to manufacturer default values and reboot.** When pressed and held over 10 seconds, the settings of Indoor Full HD Wi-Fi Camera will be set to their default values.

### **Micro USB Port**

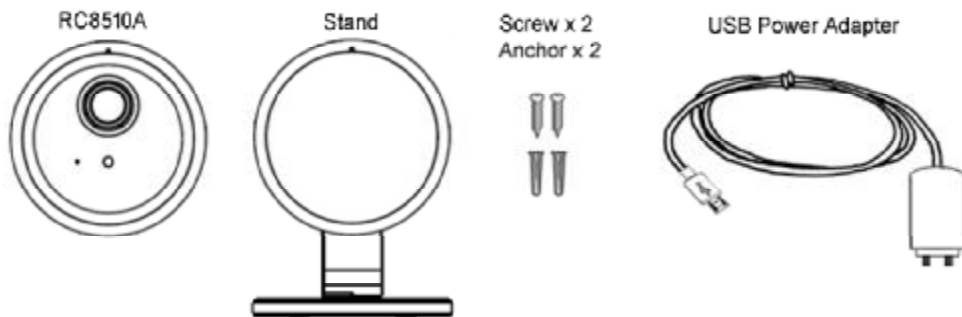
Connect the supplied 5V USB power adapter here. Do not use other power adapters; doing so may damage the camera.

### **Micro SD Card**

Insert the Micro SD card into the slot, if required.

## Package Contents

The following items should be included in the package: If any of these items are damaged or missing, please contact your dealer immediately.



**Figure 3: Package Contents**

## Chapter 2

# Basic Setup

*This Chapter provides information on how to install and configure the Indoor Full HD Wi-Fi Camera.*

## System Requirements

- To use the Wireless interface on the wireless model, other Wireless devices must be compliant with the IEEE802.11n, IEEE802.11b or IEEE802.11g specifications. All Wireless stations must use compatible settings.



**Note!**

**Mode: Infrastructure**  
**SSID: ANY**  
**Wireless Security: Disabled**  
**Domain: USA**  
**Channel No.: Auto**

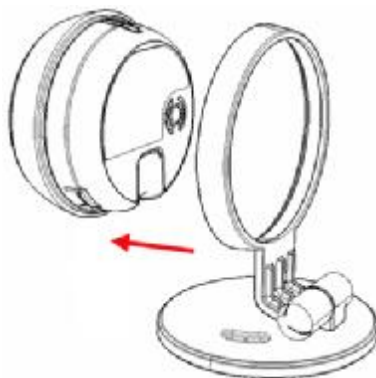
## Installation

### 1. Find the Location

Identify the location for the Indoor Full HD Wi-Fi Camera.

### 2. Assemble the Camera

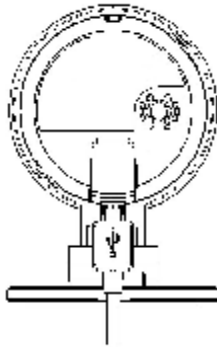
Attach the camera stand to the camera.



**Figure 4: Attach the Camera**

### 3. Power Up

Connect the supplied 5V USB power adapter to the Indoor Full HD Wi-Fi Camera and power up. Use only the power adapter provided. Using a different one may cause hardware damage.



**Figure 5: Installation**

### 4. Internet Connection

Press the WPS button on the camera for 3-5 seconds and on your other wireless device as well to establish a wireless connection automatically. The wireless connection is successful when the LED (green) remains on.

### 5. Check the LEDs

The LED will turn on briefly, then start blinking. It will blink during startup, which will take 55 to 57 seconds. After startup is completed, the green LED should remain ON.



## Wall/Ceiling Mounting

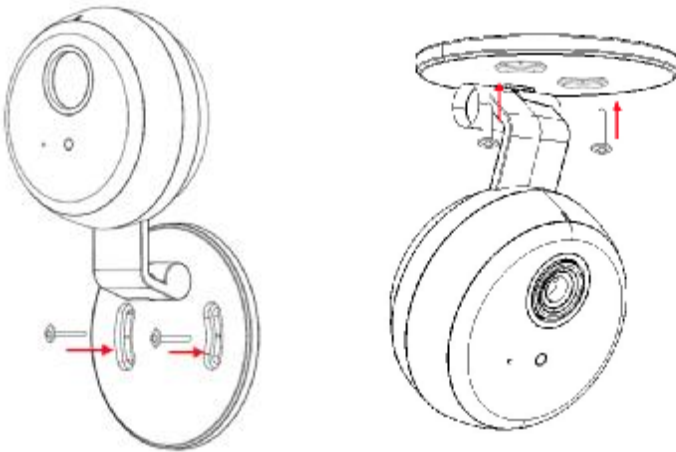
**\*Note:** Please ensure that the Indoor Full HD Wi-Fi Camera is configured and added to the network before mounting it.

1. Identify the location for mounting the Indoor Full HD Wi-Fi Camera.
2. The lens of the camera can be turned 360 degrees by using the white ring. Adjust the lens to a desired position.



**Figure 6: Lens Adjustment**

3. Place the camera in the desired position of the wall/ceiling. Screw the two screws into wall through the holes of the stand.



**Figure 7: Wall/Ceiling Mounting**

**Note:** Please try the angle measurement of the camera before installation, since there are still some limitations for wall/ceiling mounting.

4. Connect the USB power adapter into the back of the camera and plug the adapter end into a power outlet.

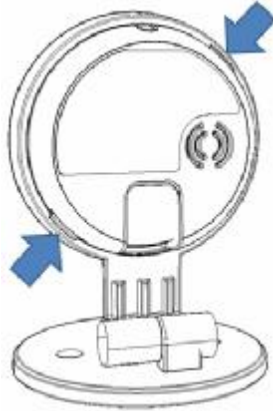


**Use only the power adapter provided. Using a different one may lead to hardware damage.**

5. Adjust the Indoor Full HD Wi-Fi Camera and secure it firmly.

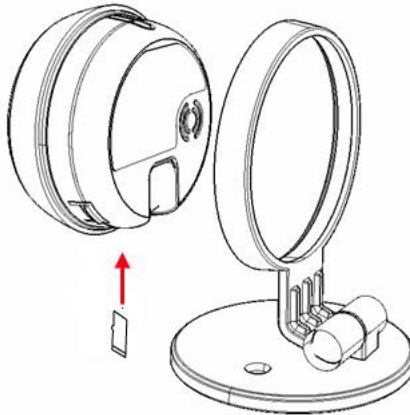
## Micro SD Card Installation

1. Use your finger to push either of the tenons on the camera, and then remove the camera from the stand.



**Figure 5: Remove Camera**

2. Insert the micro SD card into the slot.



**Figure 6: SD Card Installation**

3. Attach the camera to the stand.

## Chapter 3

# Viewing Live Video

*This Chapter provides basic information about viewing live video.*

### Overview

After finishing setup via the Windows-based Wizard, all WLAN users can view live video using Internet Explorer on Windows.

This chapter has details of viewing live video using Internet Explorer.

But many other powerful features and options are available:

- The camera administrator can also adjust the Video Stream, and restrict access to the video stream to known users by requiring viewers to supply a username and password.
- To make Live Video from the camera available via the Internet, your Internet Gateway or Router must be configured correctly.

### Requirements

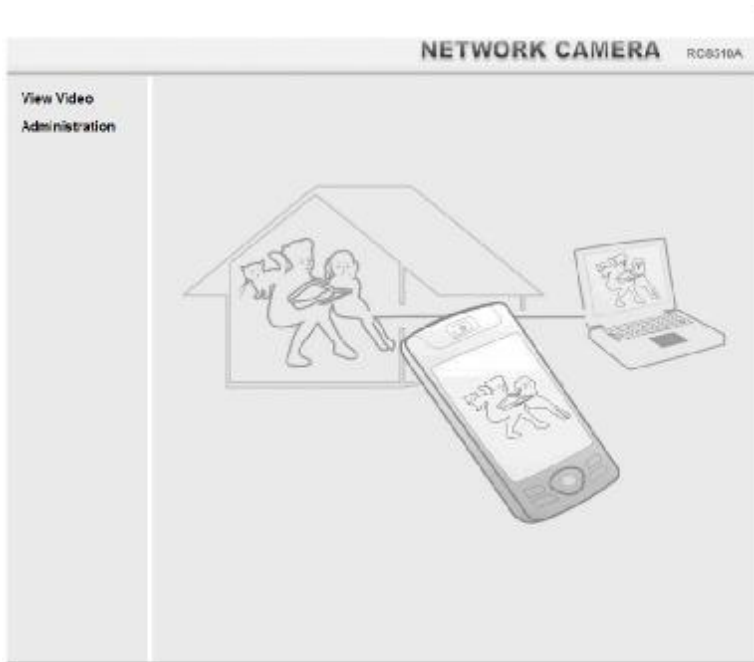
To view the live video stream generated by the Indoor Full HD Wi-Fi Camera, you need to meet the following requirements:

- Windows 7/8/9/10.
- Internet Explorer 7 or later, Firefox 3.0 or later.

### Connecting to a Camera on your WLAN

To establish a connection from your PC to the Indoor Full HD Wi-Fi Camera:

1. Start Internet Explorer.
2. In the Address box, enter "HTTP://" and the IP Address of the Indoor Full HD Wi-Fi Camera.
3. When you connect, the following screen will be displayed.



**Figure 10: Home Screen**

4. Click *View Video*.
5. If the Administrator has restricted access to known users, you will then be prompted for a username and password.  
Enter the name and password assigned to you by the Indoor Full HD Wi-Fi Camera administrator.
6. The first time you connect to the camera, you will be prompted to install decoders.  
Choose **"I accept the terms of the license agreement"** and click "OK".
7. Video will start playing automatically. There may be a delay of a few seconds while the video stream is buffered.



**Once the Indoor Full HD Wi-Fi Camera is doing FW upgrade, it forbids cutting power off.**



# Appendix A

## Specifications

### Indoor Full HD Wi-Fi Camera

Model	Indoor Full HD Wi-Fi Camera
Dimensions	58.8mm (W) x 83.6mm (H) x 30mm (D)
Lens	F2.0, DFOV 125°
Operating Temperature	0° C to 40° C
Video compression	H.264 Main Profile, M-JPEG
Image resolution	1080p (1920*1080), 720p (1280*720), VGA (640*480)
Storage Temperature	-20° C to 70° C
Network Protocols	TCP/IP, HTTP, HTTPS, DHCP, SMTP, FTP, UPnP, DDNS, NTP, RTCP, DNS
Wireless interface	IEEE 802.11b/g/n, WEP 64/128 bit, WPA Personal (TKIP), WPA2 Personal Mixed Mode
Buttons	1 WPS/Reset Button
Audio	1 Built-in Microphone
Speaker	1 Built-in Speaker
IR LED	1
LED	1
Power Adapter	5V / 1A, 100 - 240V

### Regulatory Approvals

#### FCC Statement

This equipment generates, uses and can radiate radio frequency energy and, if not installed and used in accordance with the instructions, may cause harmful interference to radio communications. However, there is no guarantee that interference will not occur in a particular installation. If this equipment does cause harmful interference to radio or television reception, which can be determined by turning the equipment off and on, the user is encouraged to try to correct the interference by one of the following measures:

- Reorient or relocate the receiving antenna.

- Increase the separation between the equipment and receiver.
- Connect the equipment into an outlet on a circuit different from that to which the receiver is connected.
- Consult the dealer or an experienced radio/TV technician for help.

To assure continued compliance, any changes or modifications not expressly approved by the party responsible for compliance could void the user's authority to operate this equipment. (Example - use only shielded interface cables when connecting to computer or peripheral devices).

## **FCC Radiation Exposure Statement**

This equipment complies with FCC RF radiation exposure limits set forth for an uncontrolled environment. This equipment should be installed and operated with a minimum distance of 20 centimeters between the radiator and your body.

This device complies with Part 15 of the FCC Rules. Operation is subject to the following two conditions:

- (1) This device may not cause harmful interference, and
- (2) This device must accept any interference received, including interference that may cause undesired operation.

This transmitter must not be co-located or operating in conjunction with any other antenna or transmitter.

## **CE Approvals**

1.1 This device complies with Directive 2014/53/EU issued by the Commission of the European Community.

- Declaration of Conformity

EN301489-1/-17

EN300 328

EN62311

EN60950-1

1.2 The frequency and maximum transmitted power in EU are listed as below:

2412 - 2472 MHz: 19.77 dBm

1.3 The special software version in compliance with EU Directive 2014/53 / EU is:

1.0.01R10CEtest.

This is a Class B product. In a domestic environment this product may cause radio interference in which case the user may be required to take adequate measures.

### **Importer information:**

Sercomm France

381 Avenue du General de Gaulle, 92140 Clamart France