



FHD Wireless Indoor Camera

Quick Installation Guide

FCC ID: P27RC845



ADT Interactive Solutions: Control & Pulse RC845 FHD Wireless Indoor Camera

Property of ADT, LLC. Information accurate as of published date and is provided "as is" without warranty of any kind.

©2019 ADT LLC dba ADT Security Services. All rights reserved. ADT, the ADT logo, 800 ADT.ASAP and the product/service names listed in this document are marks and/or registered marks. Unauthorized use is strictly prohibited.

RC845-QIG (05/19)



Table of Contents

1	Introduction.....	3
	Overview.....	3
	Features.....	3
	Physical Details	4
	Front.....	4
	Rear.....	4
	SD Card Slot (Future Enhancement)	5
	Packaging Contents.....	6
2	Basic Setup	7
	Installation	7
	Assembling the Camera	7
	Power-up	7
	Check the LED Status	8
3	ADT Control Enrollment	9
	Using Soft AP to Enroll Camera	9
4	ADT Pulse Enrollment	12
	Using WPS PIN to Enroll Camera	12
5	Wall Mounting	17
	Mounting Suggestion	20
	Smart IR Function	20
6	Troubleshooting.....	21
	If the Camera Continually Goes Offline	21
	Appendix A.....	22
	Technical Specifications.....	22
	Regulatory Approvals	22
	FCC Statement (US)	22
	IC Statement (Canada)	23



1 Introduction

This section provides information about the RC845 Indoor Day/Night HD Camera's features, components and capabilities.

Overview

The RC845 is an indoor day/night wireless camera with HD resolution and 802.11n Wi-Fi connectivity intended for use with both ADT Control® and Pulse®.

Features

- **Standalone Design.** The camera is a standalone system with built-in CPU and video encoder. It requires only a power source and a connection to the network (Customer router for Control or ADT Pulse gateway).
- **Dual Video Support.** The RC845 supports H.264 and MJPEG video compression.
- **Day/Night Switch.** With the day/night switching feature, you can view and record images even at night.
- **IR LED Support.** The two infrared LEDs can provide illumination for up to 5 meters/16 feet, providing superior video quality under low-light conditions.
- **802.11ac/n Support.** The 802.11ac/n standard provides backward compatibility with the 802.11b and g standards.
- **Supports both Soft AP and WPS.** Soft AP connectivity is used on the Control platform. Wi-Fi Protected Setup (WPS) uses a push button to connect to the Pulse platform.
- **Wireless Network.** The RC845 is connected to the network wirelessly.



Physical Details

Front

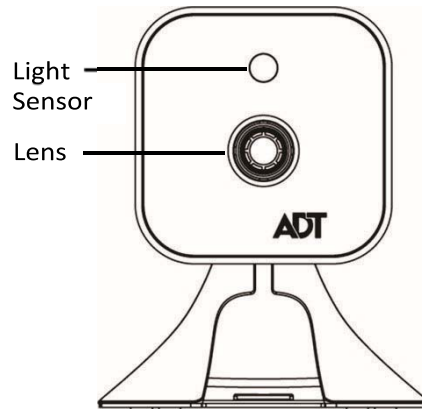


Figure 1-1 Front Panel

Light Sensor—This is a hardware sensor to detect daylight level or lux.

Lens—The lens is fixed and cannot be adjusted. Please ensure that the lens cover remains clean of dust and debris.

Rear

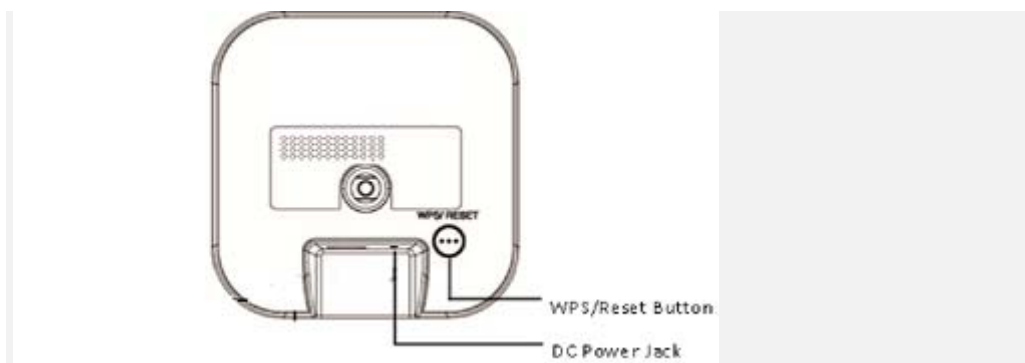


Figure 1-2 Rear Panel



Component	Description
DC Power Input	Connect the supplied 12V power adapter here. Do not use other power adapters; doing so may damage the camera.
Power LED	On: (Green) Power on. Blinking: (Green/Amber) The power LED will blink green/amber after initial startup is completed. This indicates that the Soft AP OR WPS PIN mode is ready.
Network/Wireless LED (Green, Amber)	Off: Wireless network is not connected, or camera is not sending/receiving data. On: (Green) Network connection is available. Blinking: (Green) Data is being transmitted or received via wired/wireless connection. On: (Amber) If the LED is on for 5 seconds and then turns off, the WPS function has failed. Blinking: (Amber) The WPS connection is in progress.
WPS/Reset Button	This button serves two functions on the camera. WPS PIN Mode: When pressed and held for 5 seconds during the Pulse enrollment process, the camera creates an encrypted secure wireless connection. Reset: When pressed and held for 15 seconds, the camera reboots and settings are restored to default values.

microSD Card Slot (Future Enhancement)

On the side of the camera is a small plate held in place with a retaining screw. Beneath this cover is a microSD card slot that will be used in a future software release.

Note: As the microSD card slot is not functional at this time, please do not remove this protective cover.



Figure 1-3 microSD Card Slot Location



Packaging Contents

The following items are included in the package.

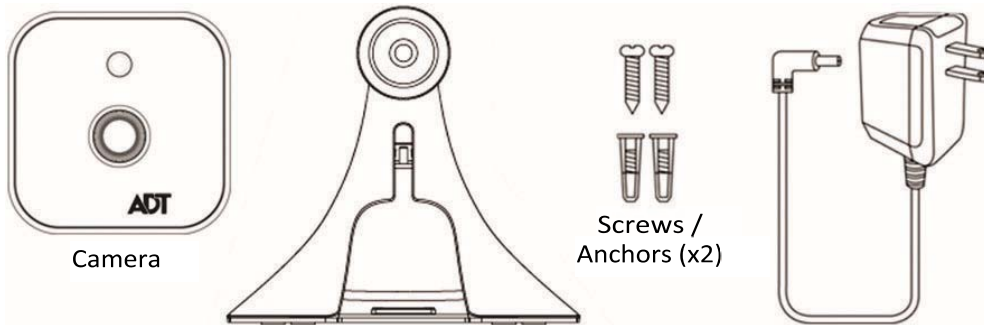


Figure 1-4 What's in the Box



2 Basic Setup

This section provides information on how to assemble and configure the RC845 Indoor HD Camera for enrollment.

Installation

Assembling the Camera

1. Temporarily locate the camera close to the computer for enrollment.
2. Attach the camera stand to the camera and connect the power cable.
3. Screw/attach the camera onto the camera stand.

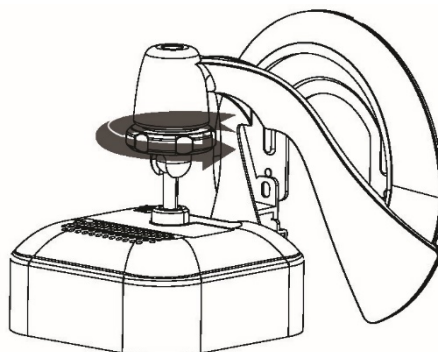


Figure 2-1 Attaching the Camera to the Stand

Power-up

1. Connect the 12V power adapter to the camera and power up near the location where you will be performing the enrollment.



Caution: Use the power adapter provided. Using a different power adapter may result in hardware damage.

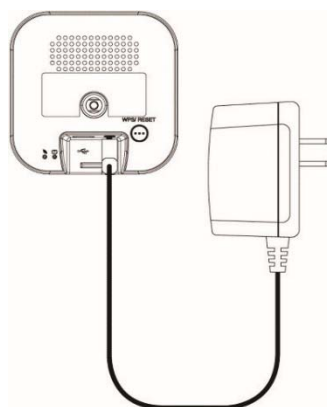


Figure 2-2 Power Connection



Quick Installation Guide

Check the LED Status

1. **Power LED**—The power LED lights up solid green during startup, which takes about one minute. After startup is completed, and prior to enrollment, the power LED blinks green/amber.
2. **Network/WPS LED**—At power-up, the Network/WPS LED is off.
 - o The Network/WPS LED will flash amber when the camera attempts to connect wirelessly to the Pulse gateway.
 - o The Network/WPS LED will turn solid green when the wireless connection is successful.
3. Enroll the camera.
 - o The process for enrolling the camera on Control is described in Section 3: ADT Control Enrollment.
 - o The process for enrolling the camera on Pulse is described in Section 4: ADT Pulse Enrollment.
4. Mounting the Camera
 - o Mount the camera in its final permanent location. For mounting on a wall using the mounting bracket, see Section 5: Wall Mounting.

Figure 2-3 Location of Status LEDs



3 ADT Control Enrollment

This section provides instructions for wirelessly enrolling the RC845 Indoor HD Camera onto the ADT Control platform. This process uses the Soft AP method to wirelessly connect the HD Camera to the Customer's network.

Using Soft AP to Enroll Camera

1. Set up the camera as described in the previous section.
2. Connect the camera's AC power adapter and plug it into a power outlet.
3. Wait for the power LED to blink green/amber.
4. Connect to the camera's network SSID using a laptop or mobile device. The SSID is the model number of the camera and part of the MAC address. For example, SSID = RC845 (XX:XX:XX).

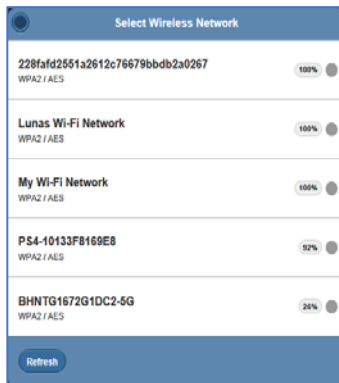


5. Open a web browser (IE, Chrome, Firefox, etc.). Type in **adtinstall.com** and you will be directed to the install wizard page.
6. Choose a language.



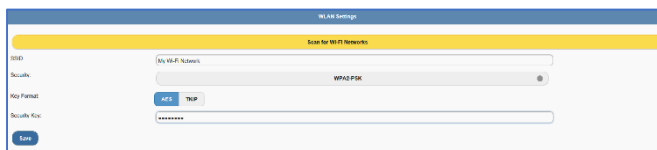
7. Click Scan for Network SSID and select the Customer's router SSID.





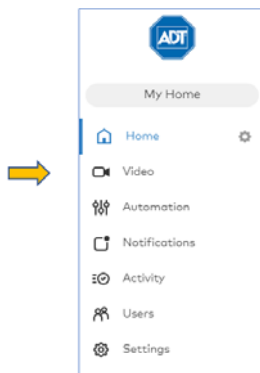
Note: Control cameras are known as tunneling devices and will connect to the Customer's Wi-Fi network to access the Internet to be added to the Control platform. It is imperative that the customer understands that all camera locations are limited by their existing Wi-Fi network and its range. Additionally, the **Customer will need to enter their SSID password during the subsequent step.**

8. Enter the wireless credentials and click Save.

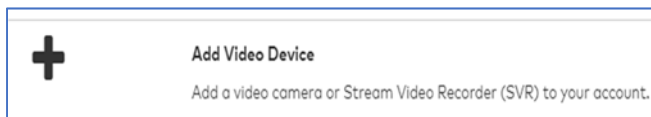


The Camera Power and Network LEDs will turn solid green. The Network LED will flash when data is being transmitted. This indicates that the connection to the Customer's router is complete.

- 9. Connect a laptop or mobile device to the Customer's network and log in to the Control web portal, <https://www.adt.com/control-login>, to complete the setup.
- 10. Select Video from the menu list.



11. Click Settings and select Add Video Device.



12. Select install from the video device list to begin adding camera. If a laptop or mobile device are not on the Customer's network, then enter the MAC address of the camera.



SELECT VIDEO DEVICE TO INSTALL REFRESH

	Name	Indoor Wifi IP Camera	MAC Address	Local IP	Status
	e.g. Living Room	RC8326	7894B4EA215C	192.168.1.9	READY

INSTALL

13. Follow the on-screen instructions to finish adding the camera.



4 ADT Pulse Enrollment

This section provides instructions for wirelessly enrolling the RC845 Indoor HD Camera into the ADT Pulse network. This process uses the Wi-Fi Protected Setup (WPS) with PIN method to wirelessly enroll the HD Camera to the gateway via the ADT Pulse Portal or TS Installer App.

Using WPS PIN to Enroll Camera

1. Set up the camera as described in section 2.
2. Launch an Internet browser and log in to the Pulse portal or TS Installer app.
3. Enter the Manage Devices screen using one of these methods:
 - o For Pulse portal, select the **System Tab** and click **Manage Devices**.
 - o For TS Installer app, click the **Pulse Devices** link. The **Manage Devices** screen will display.
4. In the **Manage Devices** screen, click **Cameras**.
5. Click the **Add Using WPS** button located at the bottom of the screen.

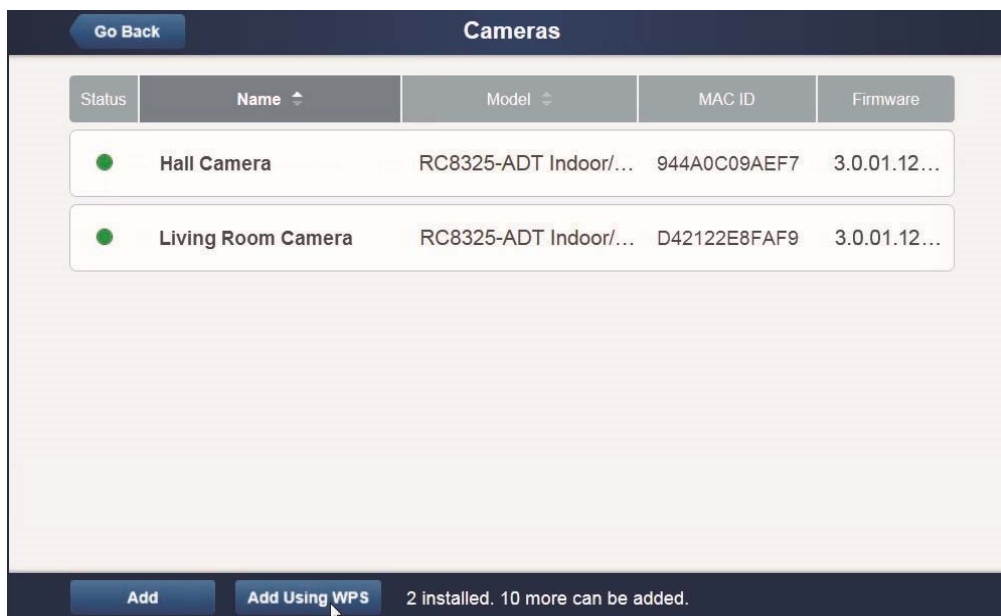
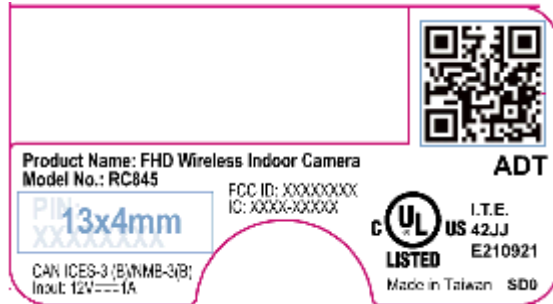


Figure 4-1 Clicking Add Using WPS



6. Locate the camera's PIN number on the product label on the rear of the camera.



7. Enter the camera's PIN into the WPS PIN field.

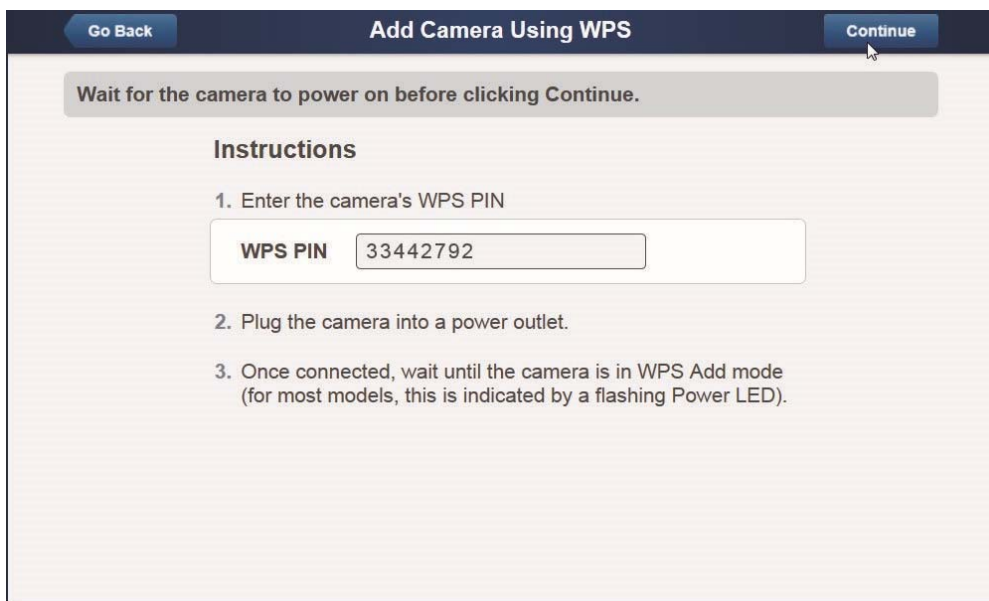


Figure 4-2 Entering the PIN

8. Ensure that the camera is powered on and that the Power LED is flashing green/amber.



9. Click the Continue button to initiate the WPS process. The following screen appears.

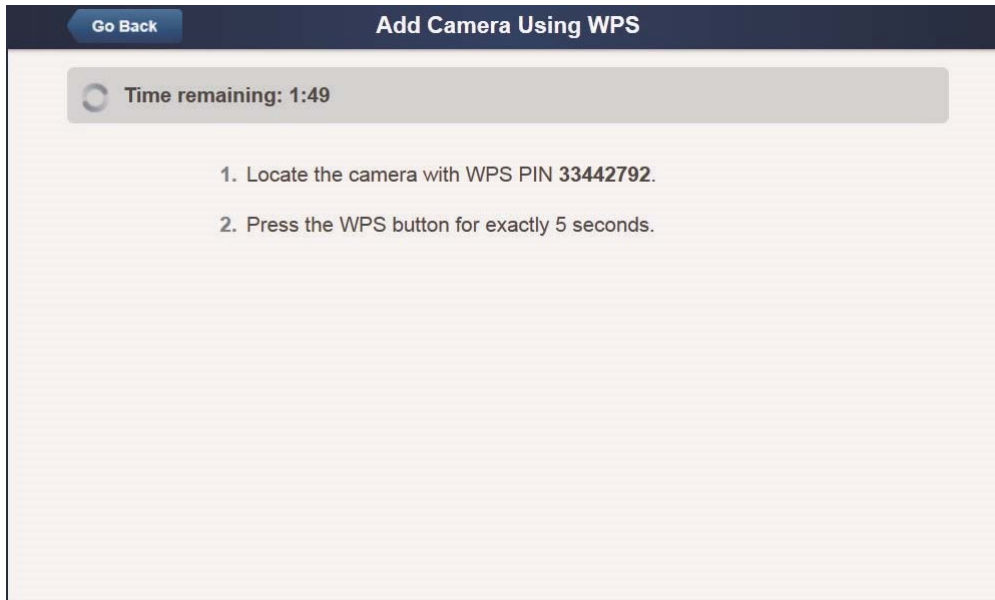


Figure 4-3 Adding Camera Using WPS Screen

10. Press and hold the WPS/Reset button on the camera for 5 seconds to establish a wireless connection.
- o The Network/WPS LED flashes amber as the gateway attempts to connect to the camera. The wireless connection is successful when the Network/WPS LED turns solid green.

Note: You must complete the WPS connection within 2 minutes or else the process will timeout. The time remaining is displayed in the upper-left portion of the screen.

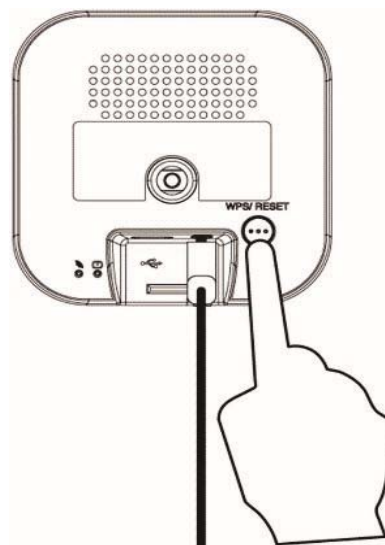
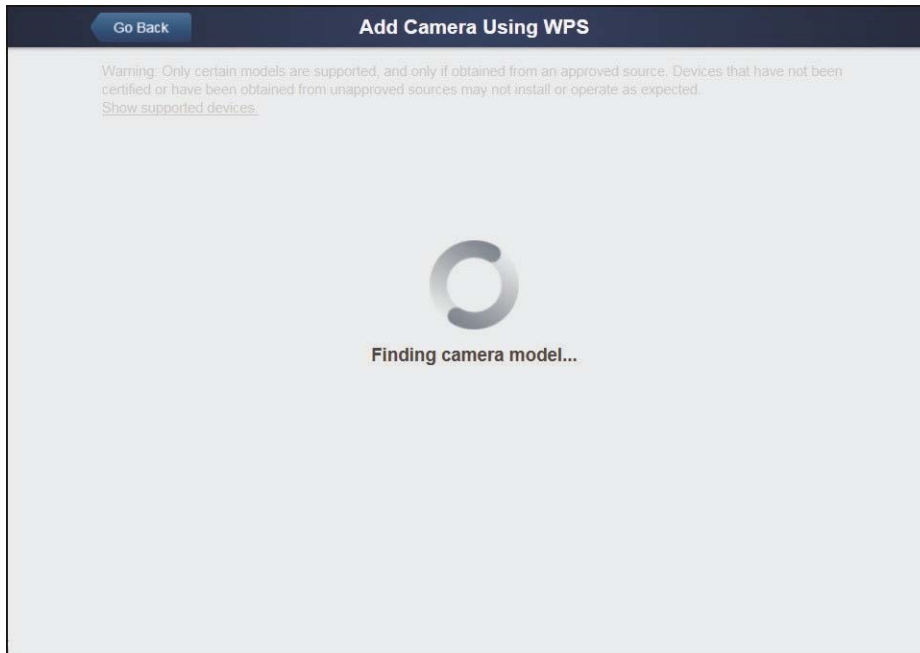


Figure 4-4 Pressing WPS Button



The following screen is shown while the camera is configured.



11. When the Camera Details screen appears, showing that the camera has been enrolled, assign the RC845 a unique name (usually based on the location of the camera) in the Name field, and then click Save.



Figure 4-5 Saving Camera Details

The Pulse enrollment is complete. The newly added device is shown in the Cameras list.

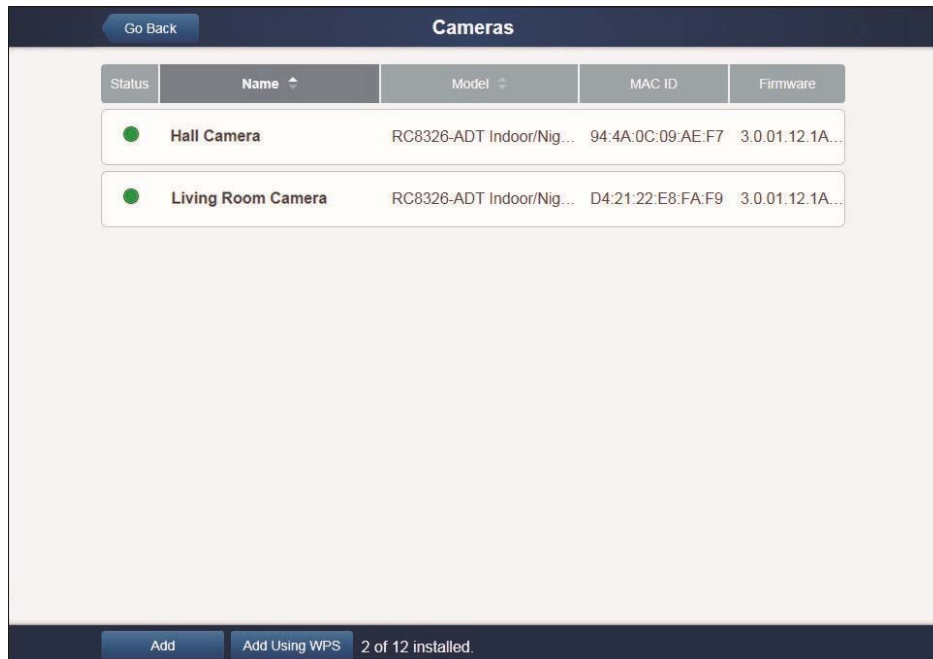


Figure 4-6 Newly Added Camera Is Shown

12. At the top of the screen, click **Go Back**.

You are returned to the **Manage Devices** screen. The total number of installed cameras has increased by one.

13. Click **Close**.

14. Click **Close** again to confirm.

15. Wait until the Power LED and Network LED are both lit solid green, and then disconnect the camera from power.

16. Install the camera in its final location. Please refer to Section 5: Wall Mounting.

5 Wall Mounting

This section provides details for final mounting of the RC845 HD Camera. You should ensure that the camera is configured and enrolled in the platform before permanently mounting it.



Note: Ensure that the camera is configured and enrolled in ADT Control or Pulse before permanently mounting it.

1. Locate an unused, non-switchable, indoor outlet to plug the AC/DC Power Adapter into. This outlet should be located as close as possible to the location where the camera will be permanently mounted.



Caution: Do not plug in the power adapter until all the connections are completed and the camera is fully mounted.

2. Locate the mounting plate at the bottom of the camera stand and slide the mounting plate forward to release it from the stand.
3. Hold the mounting plate at the location where you would like to mount the camera and mark the location of the two mounting holes.
4. Hold the stand at the location where you would like to mount the camera and mark the location of the two mounting holes.
5. Drill two pilot holes on the mounting surface at the marked location.
6. If using the anchors, insert them into the mounting holes.
7. Align the two mounting holes on the camera stand with the two pilot holes and mount the mounting plate to the surface using the two supplied screws.

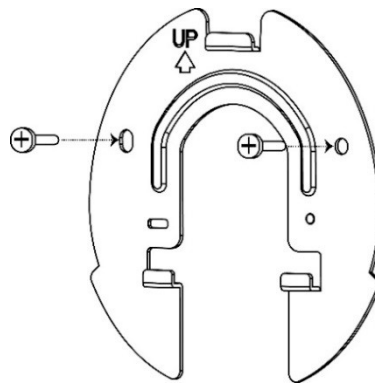


Figure 5-1 Installing the Camera Stand



8. Slide the camera stand onto the mounting plate until it clicks into place.

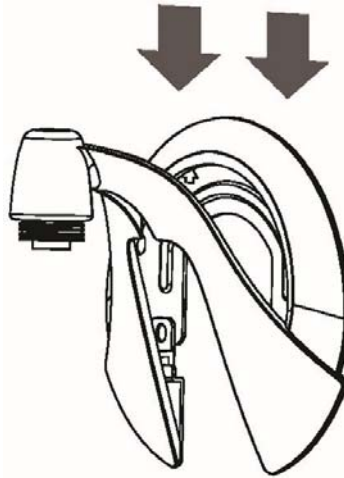


Figure 5-2 Attaching the Camera to the Stand to Mounting Plate

9. Remove the cable organizer grommet from the stand, insert the power cable into the hole, run the cable through the organizer slot, and insert the organizer grommet to hold the cable in place.
10. Connect the power cable into the back of the camera and plug the adapter end into power outlet.



Caution: Use only the power adapter provided. Using a different power adapter can result in hardware damage.

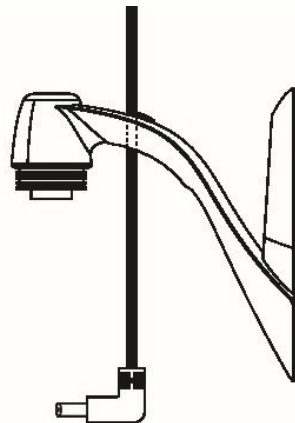


Figure 5-3 Connecting the Power Cable



11. Screw/attach the camera onto the camera stand.

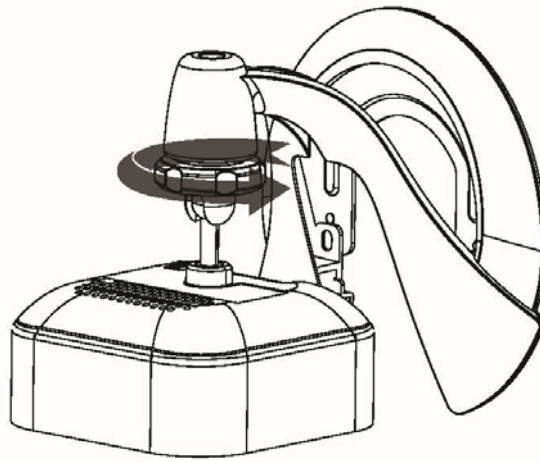


Figure 5-4 Inserting Grommet

12. Adjust the camera to the desired position and secure it firmly.
13. Verify that the camera is active on the wireless network and is recognized by the platform.

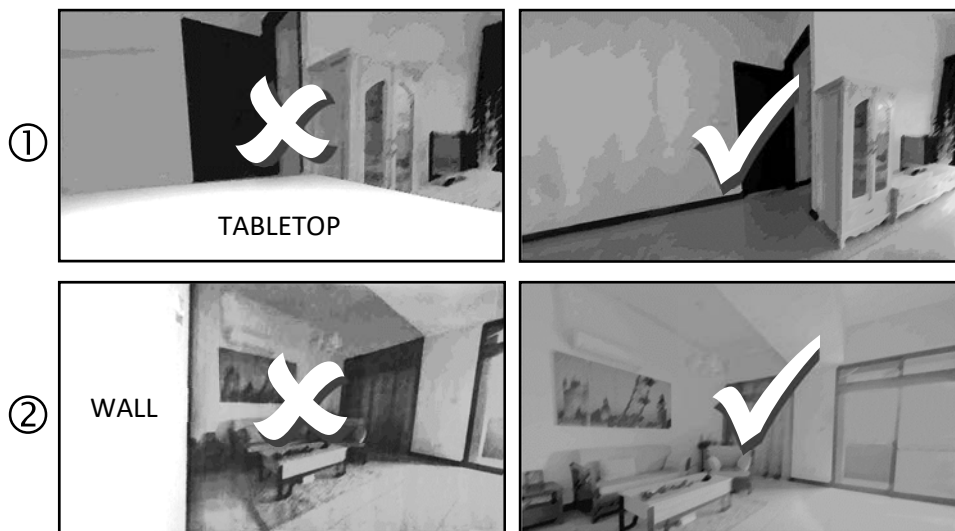


Mounting Suggestion

To get the best video quality for targets at night, make sure that the camera's field of view does not include a large foreground object, such as tabletop, side wall or column. If installing on a tabletop, place the camera as close to the edge as possible. If installing on a wall, angle the camera so that a minimal portion of the wall or column is visible, as demonstrated in the photos in row 2 below.

Smart IR Function

The RC845 uses a smart IR function for night viewing. This means that the camera automatically adjusts the IR light output and gain. As a result, if any objects are in the close foreground of the image, the camera lowers the IR light output to prevent overexposing those objects. The drawback of the smart IR function is that this feature causes background objects to receive less IR light and to be displayed with lessened detail. This result is typical for the smart IR function.





6 Troubleshooting

This section provides details for troubleshooting wireless connection issues of the RC845 Indoor Day/Night HD Camera.

If the Camera Continually Goes Offline

If after it is enrolled the camera continually goes offline (Power LED blinks continually), the camera will automatically attempt to recover the wireless connection. If the camera cannot recover on its own, take the following measures to re-establish the Wi-Fi connection.

1. Power cycle the camera.
2. If the previous measure fails, move the gateway closer to the camera, if possible.
3. If the previous measure fails, press the camera's reset button for 15 seconds, and then re-enroll the camera into Pulse.
4. If the previous measure fails, install a Wi-Fi Range Extender model WN3000RPH-3ADPAS for Pulse only.



Appendix A

Technical Specifications

Dimensions W x H x D	2.56" x 2.56" x 1.32" (65mm x 65mm x 33.5mm), without stand
Operating Temperature	Temp: 32°F to 104°F (0°C to 40°C); Humidity: 0% to 85% RH (non-condensing)
Storage Temp.	Temp: -4°F to 158°F (-20°C to 70°C); Humidity: 0% to 90% RH (non-condensing)
Video Compression	H.264 and MJPEG
Image Resolution	16:9 720p (1280x720); 4:3 XGA (1024x768); VGA (640x480); QVGA (320x240); Mixed Mode (720p, VGA, QVGA)
Network Protocol	TCP/IP, HTTP, HTTPS, DHCP, UPnP, NTP, RTCP, DNS
Network Interface	1 RJ-45 USB connector for Ethernet (optional)
Wireless Interface	IEEE IEEE 802.11ac/ 802.11n/802.11b/802.11g compatible, WEP 64/128 bit, WPA/WPA2 personal security support
Button	1, WPS/Network
LEDs	2, Power and Network/WPS
IR LEDs	2
Power Adapter	12VDC/1A, 100 to 240VAC

Regulatory Approvals

FCC Statement (US)

This equipment has been tested and found to comply with the limits for a Class B digital device, pursuant to part 15 of the FCC rules. These limits are designed to provide reasonable protection against harmful interference in a residential installation. This equipment generates, uses and can radiate radio frequency energy and, if not installed and used in accordance with the instructions, may cause harmful interference to radio communications. However, there is no guarantee that interference will not occur in a particular installation.



If this equipment does cause harmful interference to radio or television reception, which can be determined by turning the equipment off and on, the user is encouraged to try to correct the interference by one or more of the following measures:

- Reorient or relocate the receiving antenna.
- Increase the separation between the equipment and receiver.
- Connect the equipment into an outlet on a circuit different from that to which the receiver is connected.
- Consult the dealer or an experienced radio/TV technician for help. To assure continued compliance, any changes or modifications not expressly approved by the party responsible for compliance could void the user's authority to operate this equipment. (Example - use only shielded interface cables when connecting to computer or peripheral devices). RF Exposure Part

This equipment complies with FCC RF radiation exposure limits set forth for an uncontrolled environment. This transmitter must not be co-located or operating in conjunction with any other antenna or transmitter.

This equipment should be installed and operated with a minimum distance of 20 centimeters between the radiator and your body.

This device complies with Part 15 of the FCC Rules. Operation is subject to the following two conditions:

- (1) this device may not cause harmful interference, and
- (2) this device must accept any interference received, including interference that may cause undesired operation.

IC Statement (Canada)

This device complies with Industry Canada's licence-exempt RSSs. Operation is subject to the following two conditions: (1) This device may not cause interference; and (2) This device must accept any interference, including interference that may cause undesired operation of the device.

Le présent appareil est conforme aux CNR d'Industrie Canada applicables aux appareils radio exempts de licence. L'exploitation est autorisée aux deux conditions suivantes :

- (1) l'appareil ne doit pas produire de brouillage ;
- (2) l'utilisateur de l'appareil doit accepter tout brouillage radioélectrique subi, même si le brouillage est susceptible d'en compromettre le fonctionnement.

This transmitter must not be co-located or operating in conjunction with any other antenna or transmitter. This equipment should be installed and operated with a minimum distance of 20 centimeters between the radiator and your body.

Cet émetteur ne doit pas être Co-placé ou ne fonctionnant en même temps qu'aucune autre antenne ou émetteur. Cet équipement devrait être installé et actionné avec une distance minimum de 20 centimètres entre le radiateur et votre corps. Exposure

This device meets the exemption from the routine evaluation limits in section 2.5 of RSS102 and users can obtain Canadian information on RF exposure and compliance.

Le dispositif rencontre l'exemption des limites courantes d'évaluation dans la section 2.5 de RSS 102 et la conformité à l'exposition de RSS-102 rf, utilisateurs peut obtenir l'information canadienne sur l'exposition et la conformité de rf.