

# SAX1V1R User Manual

Copyright© 2020 by Sercomm Corp.  
All rights reserved.

**Federal Communication Commission Interference Statement**

This device complies with Part 15 of the FCC Rules. Operation is subject to the following two conditions: (1) This device may not cause harmful interference, and (2) this device must accept any interference received, including interference that may cause undesired operation.

This equipment has been tested and found to comply with the limits for a Class B digital device, pursuant to Part 15 of the FCC Rules.

These limits are designed to provide reasonable protection against harmful interference in a residential installation. This equipment generates, uses and can radiate radio frequency energy and, if not installed and used in accordance with the instructions, may cause harmful interference to radio communications.

However, there is no guarantee that interference will not occur in a particular installation.

If this equipment does cause harmful interference to radio or television reception, which can be determined by turning the equipment off and on, the user is encouraged to try to correct the interference by one of the following measures:

- Reorient or relocate the receiving antenna.
- Increase the separation between the equipment and receiver.
- Connect the equipment into an outlet on a circuit different from that to which the receiver is connected.
- Consult the dealer or an experienced radio/TV technician for help.

**FCC Caution:**

Any changes or modifications not expressly approved by the party responsible for compliance could void the user's authority to operate this equipment.

This transmitter must not be co-located or operating in conjunction with any other antenna or transmitter. For operation within 5.15 ~ 5.25GHz / 5.47 ~ 5.725GHz frequency range, it is restricted to indoor environment. This device meets all the other requirements specified in Part 15E, Section 15.407 of the FCC Rules.

**Radiation Exposure Statement:**

This equipment complies with FCC radiation exposure limits set forth for an uncontrolled environment. This equipment should be installed and operated with minimum distance 41cm between the radiator & your body

Product Spec

**Product Spec:**

Wi-Fi: 802.11 a/b/g/n/ac/ax (2.4G & 5GHz)

WAN: 2.5G\*1

LAN: 1G\*3,

Reset Button: 1

Power: DC IN 12V/3A

Status LED: 1 (RGB LED)

**Label and Location:**



## Chapter 1: Item in the Box

---

You will see following items when opening the box

SAX1V1R 802.11ax router: 1



Power adaptor (DC IN: 12V/3A): 1



Ethernet Cable: 1



Wall-mount bracket: 1

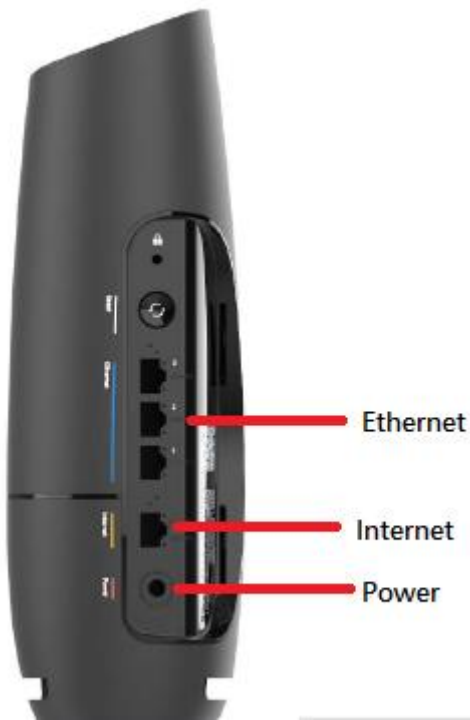


Wall-mount screw and washer: 1



## Chapter 2: Prepare to Power On

1. Connect the WAN cable to the RJ45 port (Internet)
2. Connect the LAN cable to the RJ45 port (Ethernet)
3. Tight up the SAX1V1R with wall mount bracket (Option)
4. Connect the power adaptor DC plug with SAX1V1R Power connector, connect the power adaptor to AC Plug



## Chapter 3: LED Behavior When Boot Up

Device LED MUST illuminate in 2 seconds or less when it has started receiving power from mains.

Device LED MUST begin “Searching for Internet Connection” immediately after device has finished booting.

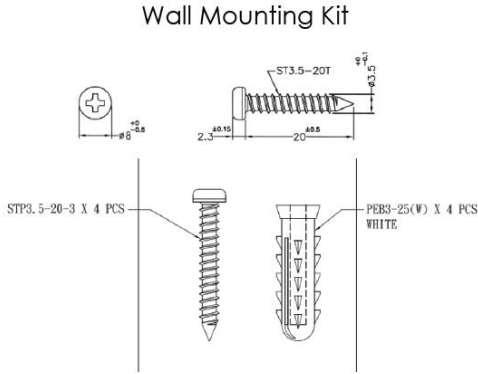
LED Color: Blue

LED state: FLASHING

LED will turns to solid blue after Internet is found

## Chapter 4: Install Wall Mount Bracket

User has to prepare wall mount kit as below before install wall-mount bracket.



Once wall mount kit installed on the wall, user can install the wall mount screw and washer on SAX1V1R.

