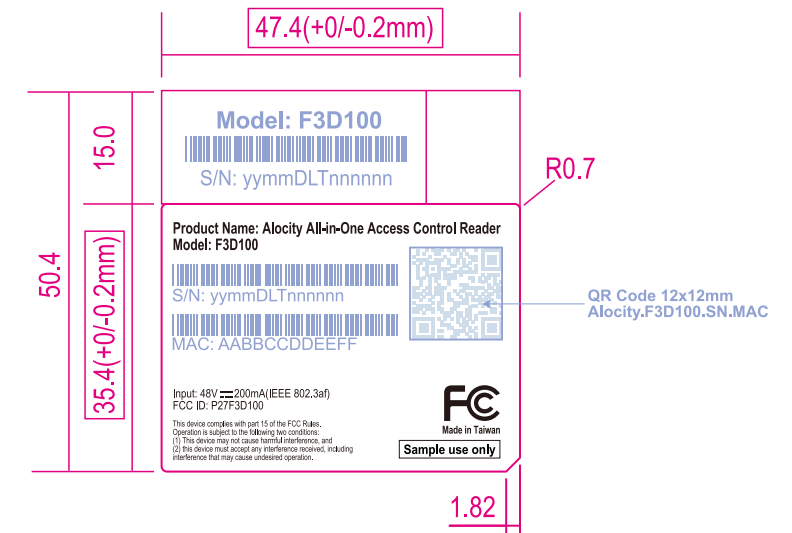
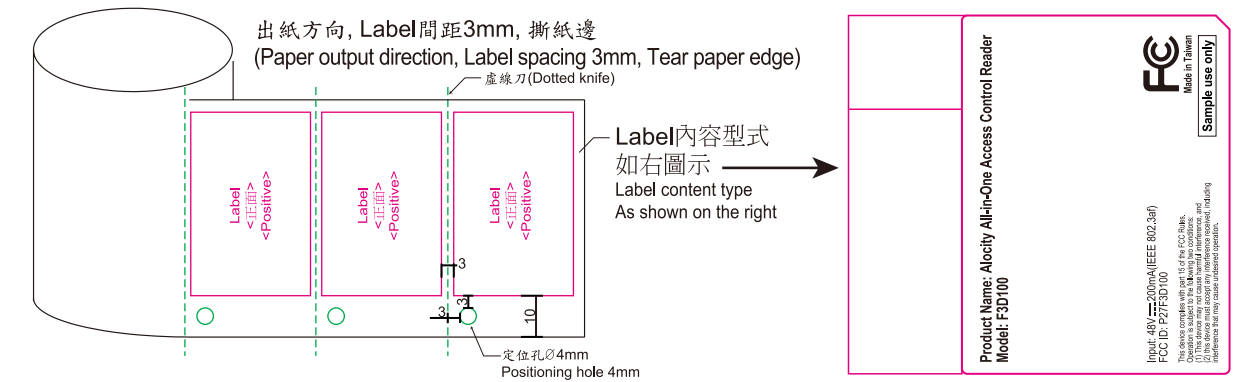


### PRINTING DETAILS



- 藍色線條/字樣為工廠列印辨識使用  
Blue lines / typefaces are used for factory print identification
- 紅框為刀模線不印刷(The red frame is not printed for the die line)



### TOLERANCE TABLE FOR ME HOUSING PRINTING 外殼類印刷公差表 PLEASE REFER TO GRADE "A" 請參考A級公差

Printing Location 印刷位置公差	Tolerance Grade		Printing Content 印刷尺寸公差	Tolerance Grade	
	A	B		A	B
DIM.	A	B	DIM.	A	B
0 < DIM. $\leq$ 1.0	$\pm 0.10$	$\pm 0.15$	0 < DIM. $\leq$ 2.5	$\pm 0.10$	$\pm 0.15$
1.0 < DIM. $\leq$ 3.0	$\pm 0.15$	$\pm 0.20$	2.5 < DIM. $\leq$ 10.0	$\pm 0.15$	$\pm 0.25$
3.0 < DIM. $\leq$ 20.0	$\pm 0.20$	$\pm 0.30$	10.0 < DIM.	$\pm 0.20$	$\pm 0.35$
20.0 < DIM.	$\pm 0.25$	$\pm 0.40$			

### ME HOUSING PRINTING ARTWORK NOTES

機台外殼印刷稿注意事項

- Don't make changes without permission from SERCOMM ME  
在中磊結構工程師確認前,請不要改動圖面
- The size in the box is the key inspection size  
方框內尺寸是重點檢驗尺寸
- Sercomm color chip number:(XXXX)  
中磊色板編號 (XXXX)
- Please follow printing font for all letters and printing color  
請根據圖面標示字體及顏色製作
- The materials used in this part must be RoHS compliant  
印刷使用之料須符合RoHS

### PACKAGE PRINTING ARTWORK NOTES

包裝類印刷稿注意事項

- Don't make changes without permission from SERCOMM PE  
在中磊包裝工程師確認前,請不要改動圖面
- The size in the box is the key inspection size  
方框內尺寸是重點檢驗尺寸
- Material: 50# white Mylar(VL02),fog film PET for typing(PO37B) with Ink:NS BLACK  
材質: #50白色特多龍(VL02)+打字霧膜(PO37B)  
油墨: 豐洲公司型號/NS BLACK/黑色油墨
- Back embossed gelatin/Geracin backing paper,roll  
背壓花膠/葛拉馨底紙,成卷
- The materials used in this part must be RoHS compliant  
本料件使用之材料須符合RoHS

### REVISION NOTES

版本說明

Version	Date	Description
V2.0	2021.10.20	Release

### MODEL DETAILS

機種信息

MODEL NAME :	3D Facial Reader
PART No. :	932DLT01B6
REVISION:	2.0
ME ENGINEER:	Kuma
DESIGNER :	Katy Hung
DATE:	2021.10.20