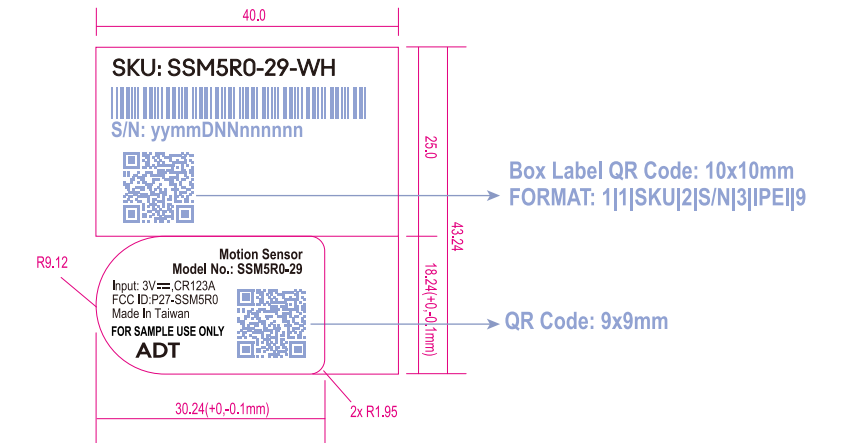


PRINTING DETAILS



Product Label QR Code FORMAT:
 1|1|Model No|2|S/N|3||PEI|9
 Example=> 1|1|XXXXXX-XX|2|2002XXX000006|3|20C390109|9

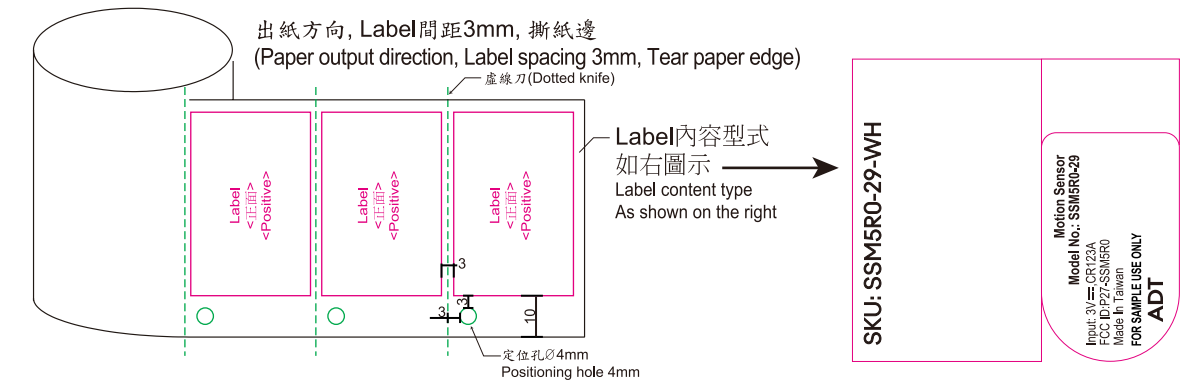
※ UL材質編號/ UL Printed label dsq: K24

■ 印刷色/ Print Color: 黑色(Black)

■ 藍色線條/字樣為工廠列印辨識使用

Blue lines / typefaces are used for factory print identification

□ 紅框為刀模線不印刷(The red frame is not printed for the die line)



TOLERANCE TABLE FOR ME HOUSING PRINTING 外殼類印刷公差表 PLEASE REFER TO GRADE "A" 請參考A級公差

Printing Location 印刷位置公差	Tolerance Grade		Printing Content 印刷尺寸公差	Tolerance Grade	
	A	B		A	B
DIM.	A	B	DIM.	A	B
0 < DIM. ≤ 1.0	±0.10	±0.15	0 < DIM. ≤ 2.5	±0.10	±0.15
1.0 < DIM. ≤ 3.0	±0.15	±0.20	2.5 < DIM. ≤ 10.0	±0.15	±0.25
3.0 < DIM. ≤ 20.0	±0.20	±0.30	10.0 < DIM.	±0.20	±0.35
20.0 < DIM.	±0.25	±0.40			

ME HOUSING PRINTING ARTWORK NOTES

機台外殼印刷稿注意事項

- Don't make changes without permission from SERCOMM ME
在中磊結構工程師確認前, 請不要改動圖面
- The size in the box is the key inspection size
方框內尺寸是重點檢驗尺寸
- Sercomm color chip number:(XXXX)
中磊色板編號 (XXXX)
- Please follow printing font for all letters and printing color
請根據圖面標示字體及顏色製作
- The materials used in this part must be RoHS compliant
印刷使用之料須符合RoHS

PACKAGE PRINTING ARTWORK NOTES

包裝類印刷稿注意事項

- Don't make changes without permission from SERCOMM PE
在中磊包裝工程師確認前, 請不要改動圖面
- The size in the box is the key inspection size
方框內尺寸是重點檢驗尺寸
- Material: Printing UL 50# white Mylar(VL02), fog film PET for typing(PO37B) with Ink:TK-PO BLACK
材質: 有印UL #50白色特多龍(VL02)+打字霧膜(PO37B)
油墨-豐洲公司型號/TK-PO BLACK/黑色油墨
- Back embossed gelatin/Geracin backing paper,roll
背壓花膠/葛拉馨底紙, 成卷
- The materials used in this part must be RoHS compliant
本料件使用之材料須符合RoHS

REVISION NOTES

版本說明

V1.0 2021.XX.XX Release

MODEL DETAILS

機種信息

MODEL NAME : ADT SD-PIR09
 PART No. : 932DNN00MY
 REVISION: 1.2
 ME ENGINEER: Anderson
 DESIGNER : Katy Hung
 DATE: 2022.05.18