

SPEC & REV HISTORY

CONFIDENTIAL

ITEM NO.	PART DESCRIPTION	BASE COLOUR & MATERIAL	FINISHING		SILK SCREEN COLOUR	PAINTING COLOUR	REMARKS
			G/SG/T/M/R	P/S/L			
1	TOP CABINET	SUBSTRATE SUITABLE FOR SELF COLOURED GLOSS BLACK	GLOSS (RA 0.05)	S	PMS METALLIC 8403C PMS 388C		SEE PLASTIC SAMPLE SENT FROM MAGOR FOR 388C COLOUR MATCH
2	BOTTOM COVER	SUBSTRATE SUITABLE FOR SELF COLOURED GLOSS BLACK, SOFT TOUCH	GLOSS (RA 0.05)	P/E		PROTEIN BLACK FINISH	LASER ETCHED RATING PLATE
3	TOP BUTTONS	SUBSTRATE SUITABLE SELF COLOURED PANTONE GREEN/ YELLOW 388	GLOSS (RA 0.05)	S	PMS BLACK C		
4	THUMBSTICK TOP	RUBBER OVERMOLD, SELF COLOURED BLACK C	SEE ARTWORK PAGE FOR TEXTURE BREAK				SAME AS LYNX 9
5	INNER HANDLE	SELF COLOURED SUITABLE FOR PANTONE GREEN/ YELLOW 388	GLOSS (RA 0.05)			PROTEIN 388 FINISH	SEE PLASTIC SAMPLE SENT FROM MAGOR FOR 388C COLOUR MATCH
6	OUTER HANDLE	SUBSTRATE SUITABLE FOR SELF COLOURED GLOSS BLACK, SOFT TOUCH	GLOSS (RA 0.05)	P/S	PANTONE GREEN/ YELLOW 388	PROTEIN BLACK FINISH	
7	ABXY	SUBSTRATE SUITABLE FOR SELF COLOURED GLOSS BLACK	GLOSS (RA 0.05)	S	PMS METALLIC 8403C		
8	ABXY TOP CABINET (& THUMB-STICK COVER)	SUBSTRATE SUITABLE FOR SELF COLOURED BLACK (TEXTURED FINISH)	YS 1280 A	S	PANTONE GREEN/ YELLOW 388		
9	DPAD	SUBSTRATE SUITABLE FOR SELF COLOURED GLOSS BLACK	GLOSS (RA 0.05)				
10	TRIGGERS	SUBSTRATE SUITABLE FOR SELF COLOURED BLACK (TEXTURED FINISH)	YS 1280 A GLOSS (RA 0.05) FOR NAMES				GLOSS FINISH TO EMBOSSED TRIGGER NAMES
11	SHOULDER BUTTONS	SUBSTRATE SUITABLE FOR SELF COLOURED BLACK (TEXTURED FINISH)	YS 1280 A GLOSS (RA 0.05) FOR NAMES				GLOSS FINISH TO EMBOSSED SHOULDER NAMES
12	OUTER RING PLATE (HANDLE)	SUBSTRATE SUITABLE FOR SELF COLOURED BLACK (TEXTURED FINISH)	GLOSS (RA 0.05)				
13	RELEASE BUTTON (HANDLE)	SUBSTRATE SUITABLE SELF COLOURED PANTONE GREEN/ YELLOW 388	GLOSS (RA 0.05)				SEE PLASTIC SAMPLE SENT FROM MAGOR FOR 388C COLOUR MATCH
14	MICRO USB PORT	ALL DEVICE SHROUD CONNECTIONS TO BE GOLD COATED					
15	CONTROLLER ARM	SUBSTRATE SUITABLE SELF COLOURED PANTONE GREEN/ YELLOW 388	GLOSS (RA 0.05)				SEE PLASTIC SAMPLE SENT FROM MAGOR FOR 388C COLOUR MATCH
16	CONTROLLER ARM TOP PLATE						NOW PART OF DPAD TRIM AND ABXY TOP PLATE
17	GAMESMART BUTTONS	SUBSTRATE SUITABLE FOR SELF COLOURED PANTONE GREEN/ YELLOW 388	GLOSS (RA 0.05)	S	PMS METALLIC 8403C		
18							
19	LEDS (GAMESMART)	BI STATE - RED/BLUE					
20	OUTER BODY (PHONE CLIP)	SUBSTRATE SUITABLE FOR SELF COLOURED BLACK GLOSS FINISH	GLOSS (RA 0.05)	S	PMS 8403C PMS 388C		
21	SPRING HOUSING (PHONE CLIP)	SUBSTRATE SUITABLE FOR SELF COLOURED GLOSS BLACK	GLOSS (RA 0.05)				
22	CLIP FORK (PHONE CLIP)	SUBSTRATE SUITABLE FOR SELF COLOURED GLOSS BLACK	GLOSS (RA 0.05)				
23	KNURLED BOLT (PHONE CLIP)	SUBSTRATE SUITABLE FOR SELF COLOURED GLOSS BLACK	GLOSS (RA 0.05)				
24	PIN (PHONE CLIP)	MACHINE TURNED STEEL PIN					
25	SPRING (PHONE CLIP)	SELF COLOURED STEEL SPRING					
26	ROD [SPRING] (PHONE CLIP)	SELF COLOURED STEEL ROD					
27	RUBBER (PHONE CLIP)	SELF COLOURED, BLACK					
28	DPAD TRIM (& THUMBSTICK COVER)	SUBSTRATE SUITABLE FOR SELF COLOURED BLACK (TEXTURED FINISH)	YS 1280 A				
29	LOWER CABINET	SUBSTRATE SUITABLE FOR SELF COLOURED GLOSS BLACK	GLOSS (RA 0.05)				
30							
31							

Key: G:-Gloss finish, SG:-Semi Gloss, M:-Matt Finish, T:-Texture, R:-Special Requirement, P:-Painting, S:- Silk Screen or Pad Printing, L:-Lacquer, YS:-Yick Sang Texture System, A:- Anodised, E:- Etched, IMD - In-mould decoration

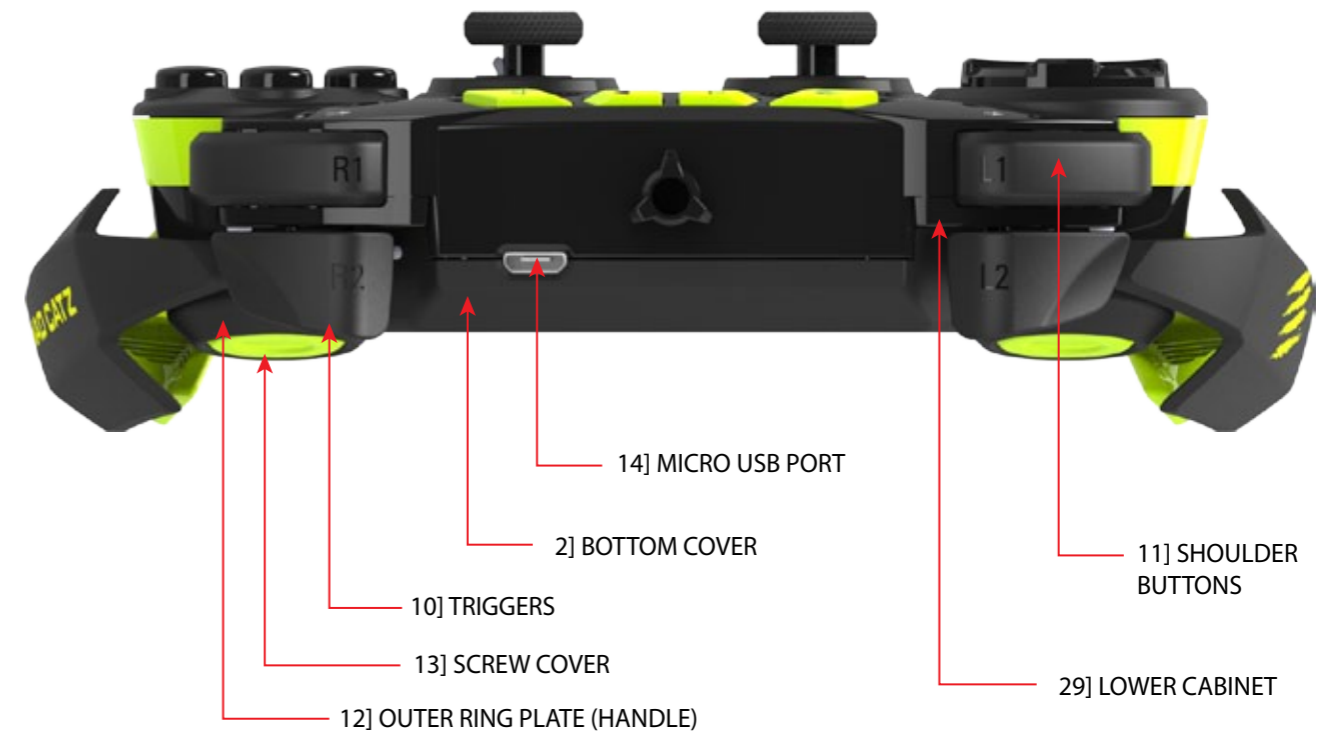
ITEM NO.	PART DESCRIPTION	BASE COLOUR & MATERIAL	FINISHING		SILK SCREEN COLOUR	PAINTING COLOUR	REMARKS
			G/SG/T/M/R	P/S/L			
			CONTINUED FROM PREVIOUS				
32							
33							
34							
35							
36							
37							
38							
39							
40							
41							
42							
43							
44							
45							

REV. No	DATE OF REVISION	CHANGES MADE	STATUS
1	15/12/14	CONCEPT - MODEL FOR CES	COS MODEL
2	19/12/14	ALL PARTS SELF COLOURED FINISHES	CONCEPT
3	02/04/15	ID REV WITH FINS, MOVED LEDES, CHANGED THUMBSTICK ARM	TOOLING 1
4	02/04/15	MICROFIBRE BAG REQ'D,	TOOLING 1
5	25/06/15	BOTTOM COVER PLATE RENAME, LOWER CABINET PART ADDED TO LIST	TOOLING 2
6	10/08/15	BUTTON LABEL, COLOUR CHANGE. TEXTURE REMOVED FROM PHONE CLIP	EP
7	12/08/15	RATING PLATE ADDED	EP



PRODUCT DESIGN SPECIFICATION

PRODUCT NAME : LYNX 3_BLACK	DATE : 12/08/15	SCALE: ON PAGE
PROJECT CODE : **	BRAND : MADCATZ	REV: 7 PAGE: 1 of 5



ALL CONNECTORS, TYPICAL FINISH

CABLES REQUIRED :

1x USB-MICRO USB (1.5M)

A] BAND [CONNECTOR]

B] CONNECTOR

C] BAND [BODY]

D] BODY

E] STRAIN RELIEF

F] CABLE



PRODUCT DESIGN SPECIFICATION

PRODUCT NAME : **LYNX 3_BLACK**

DATE : **12/08/15**

SCALE: **ON PAGE**

PROJECT CODE : ******

BRAND : **MADCATZ**

REV: **7**

PAGE: **2 of 5**



PHONE CLIP

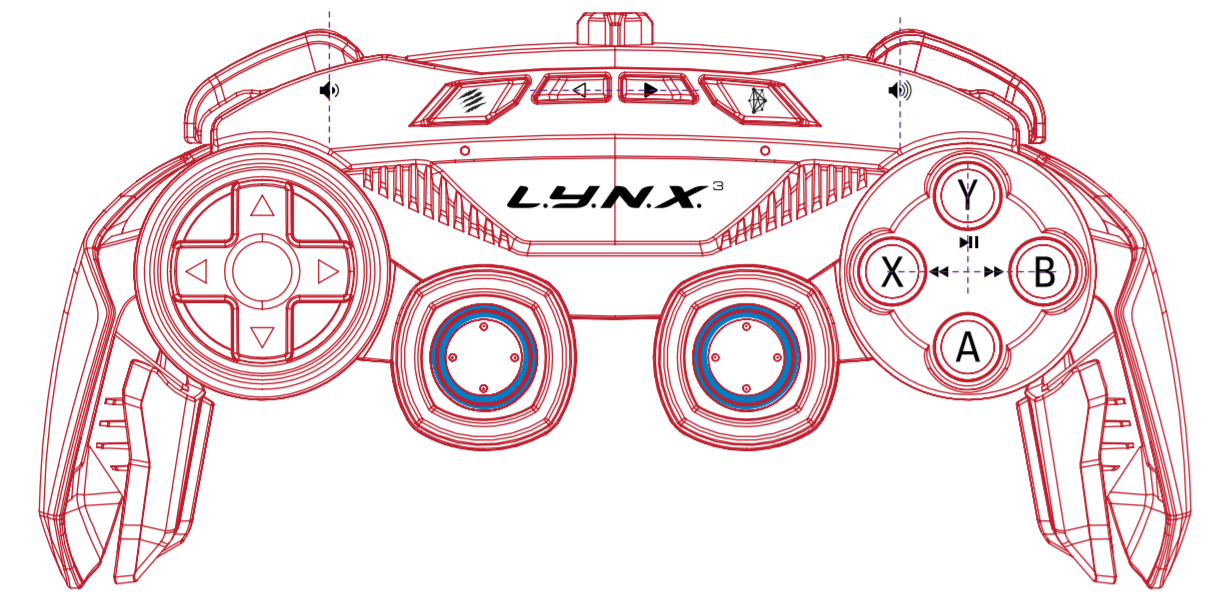


PRODUCT DESIGN SPECIFICATION			
PRODUCT NAME : LYNX 3_BLACK	DATE : 12/08/15	SCALE: ON PAGE	
PROJECT CODE : **	BRAND : MADCATZ	REV: 7	PAGE: 3 of 5

PRODUCT DESIGN ARTWORK

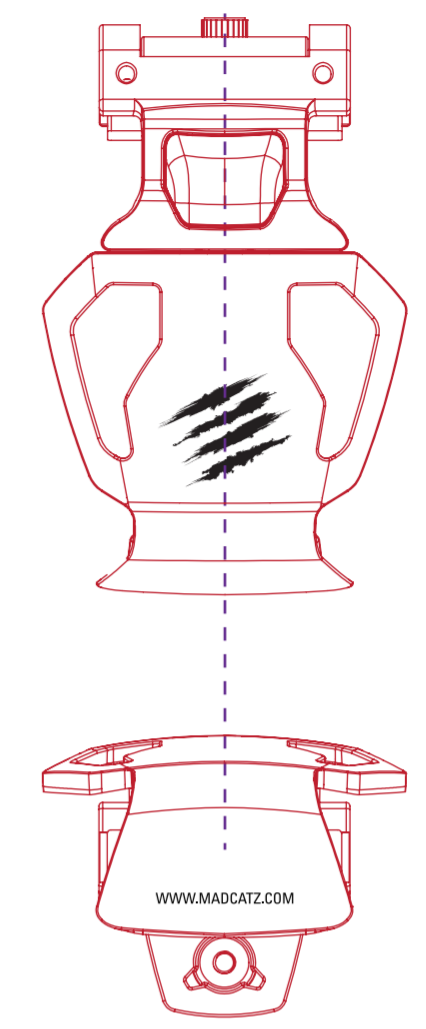
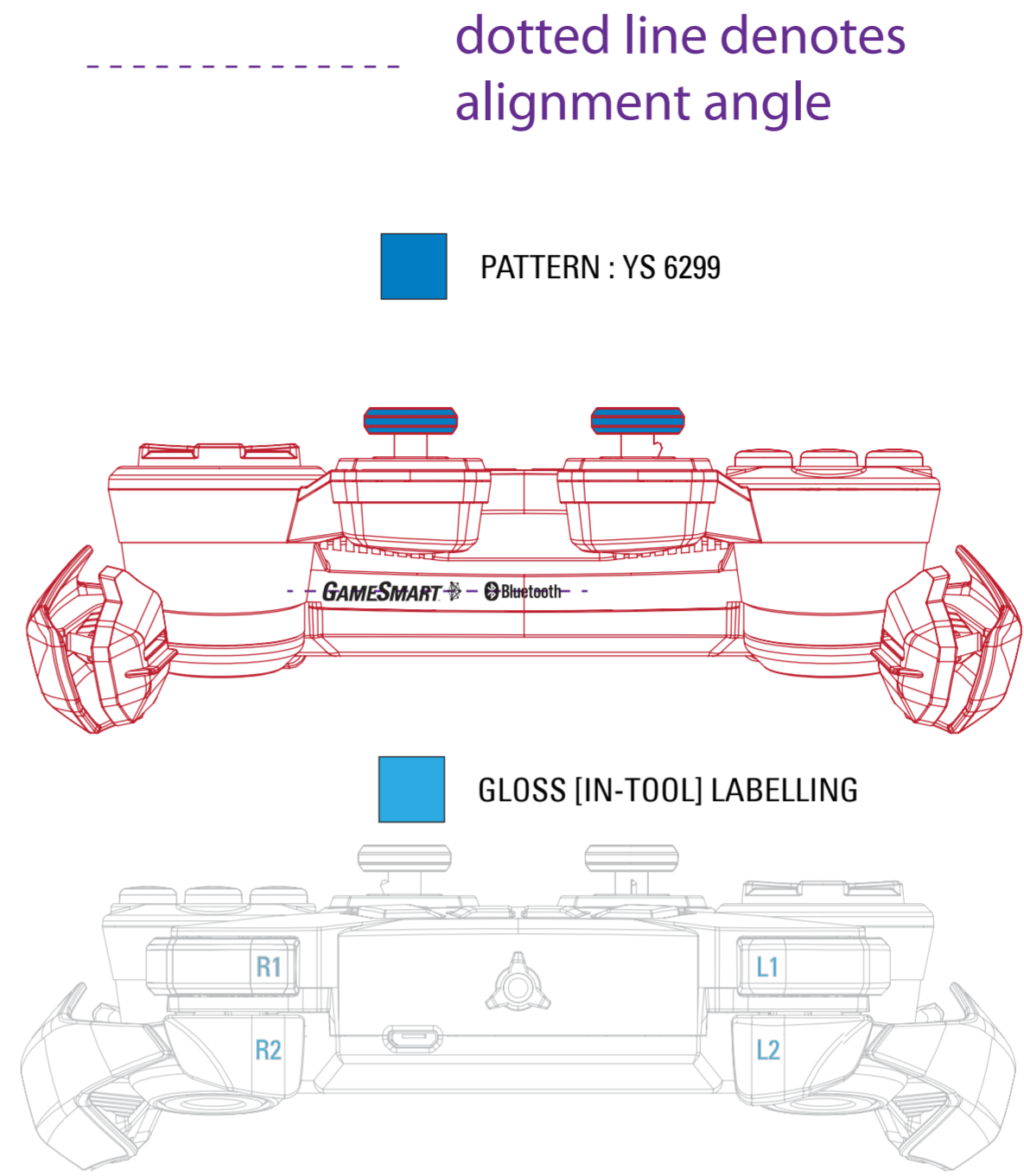
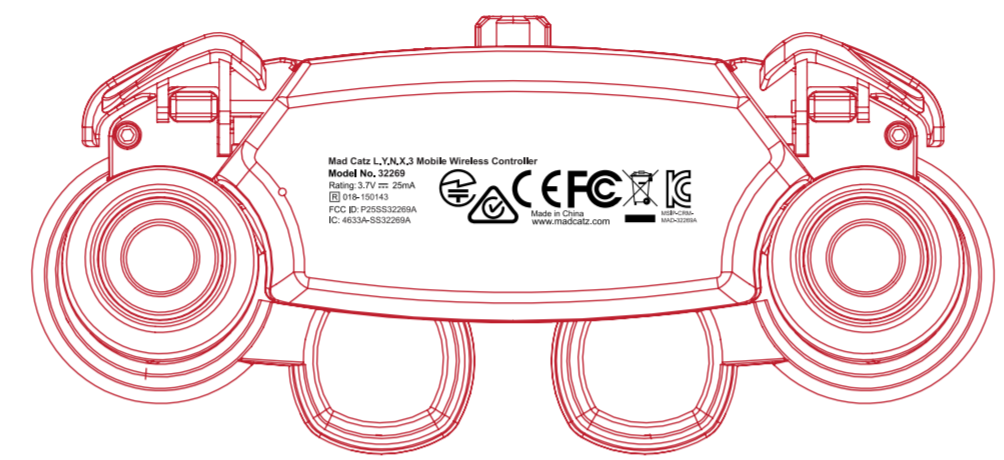
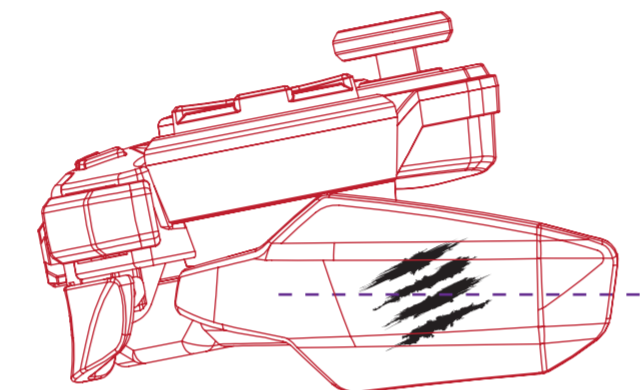
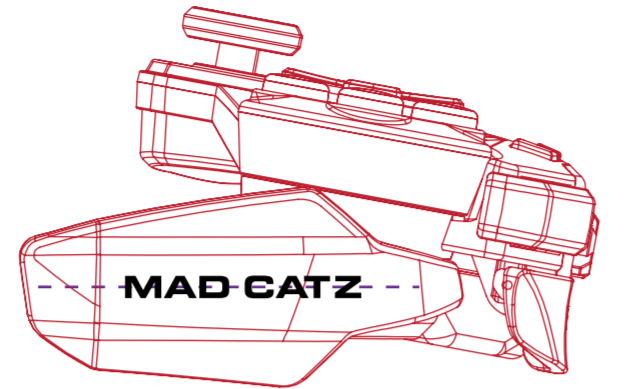
PRODUCT NAME : LYNX 3_BLACK	DATE : 12/08/15	SCALE: ON PAGE
PROJECT CODE : **	BRAND : MADCATZ	REV: 7
		PAGE: 5 of 5

FOR POSITION

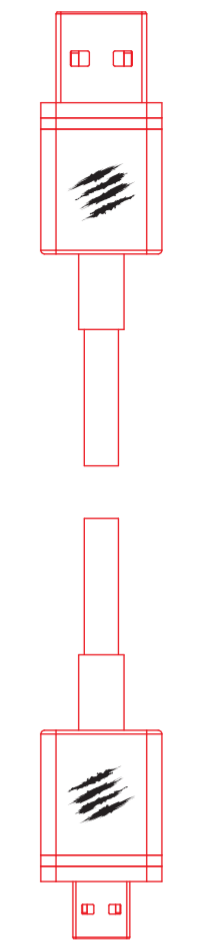


PATTERN : YS 6299

CONTROLLER VIEWS 1:1



FULL USB to MICRO USB CABLE



ADAPTOR/ CABLE VIEW 1:1

LIVE ART

TOP CABINET/ TOP BUTTONS/ ABXY

PMS 8403C

PANTONE GREEN/ YELLOW 388

PMS BLACK C

OUTER HANDLE L/R

PANTONE GREEN/ YELLOW 388

MAD CATZ

RATING PLATE

LASER ETCHED



TOP CABINET

PMS 8403C

GAMESMART Bluetooth

PHONE CLIP

PMS 8403C

PANTONE GREEN/ YELLOW 388

WWW.MADCATZ.COM

SILKSCREEN/ETCHING OF LOGOS TO BE EXECUTED IN STANDARDISED FORMAT ACROSS THE RANGE FOR ALL CONNECTORS AND ADAPTORS IN CORRECT ORIENTATION FOR MAD-CATZ PRODUCTS



140X80MM SACK (APPROX.60MM DEEP TO ACCOMMODATE FOLDED PAD)
 THICK MATERIAL - SOFT TOUCH MICROFIBRE
 POUCH IN ONE COMPARTMENT FOR CABLE/ INNER HANDLES
 THICK SHEATH DRAWSTRING



1:1 ARTWORK FRONT



PMS 485 C - LABEL, SILKSCREEN, DRAWSTRING



BLACK C - BAG MATERIAL COLOUR



MAD CATZ

PRODUCT DESIGN SPECIFICATION

PRODUCT NAME : **LYNX 3_BLACK**

DATE : **12/08/15**

SCALE: **ON PAGE**

PROJECT CODE : ******

BRAND : **MADCATZ**

REV: **7**

PAGE: **4 of 5**