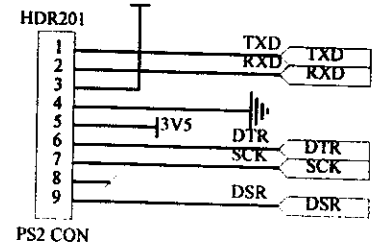


REF. ONLY

Master Copy  
 Checked By *Dagunier*  
 Date *25/06/01*



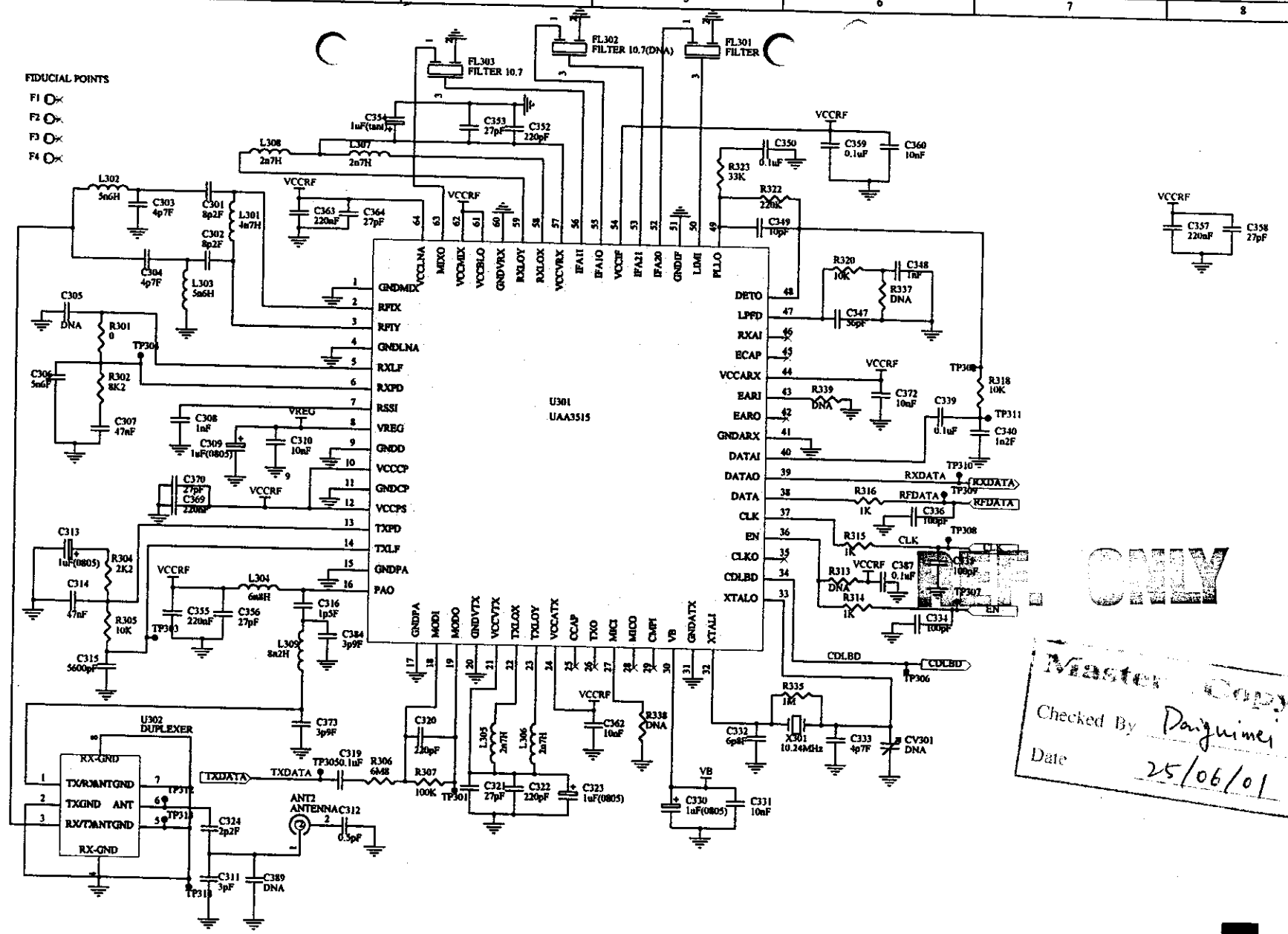
addvalue communications

Proprietary Information Not To Be Disclosed Without Written Authorization From AVC.  
 © Addvalue Technologies Ltd, all rights reserved

DESCRIPTION			BASE BOARD SCHEMATICS (TYPE B) (MCU SECTION)		
DRAWN BY		PROJECT TITLE		REV :	
LINDA ONG		SAKURA 1		0.14	
DATE:		SIZE :		SHEET 1 OF 2	
25 JUNE 2001		A4			
FILE: F:\Sakura\1\Base\R014\sa1bs014.ddb - SCH\sa1bs1014.sch					

FIDUCIAL POINTS

- F1 ○×
- F2 ○×
- F3 ○×
- F4 ○×



**ONLY**

Master Copy  
 Checked By *Danguine*  
 Date *25/06/01*

- NOTES:**
1. ALL CAPACITORS & RESISTORS USED ARE SMD 0603 UNLESS OTHERWISE SPECIFIED.
  2. ALL INDUCTORS AND DIODES USED ARE SMD 0603 UNLESS OTHERWISE SPECIFIED.

Proprietary Information Not To Be Disclosed Without Written Authorization From AVC.  
 © Addvalue Technologies Ltd. all rights reserved

addvalue  communications

DESCRIPTION			BASE BOARD SCHEMATICS (TYPE B) (RF SECTION)		
DRAWN BY	PROJECT TITLE	REV :			
LINDA ONG	SAKURA I	0.14			
DATE: 25 JUNE 2001	SIZE: A3	SHEET 2 OF 2			
FILE: F:\sakura\lbase\ro14\sa1bs014.ddb - SCH\sa1bs2014.sch					