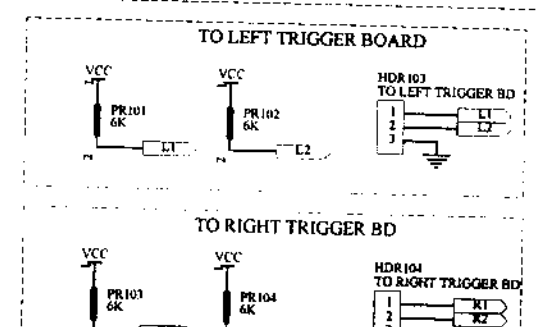
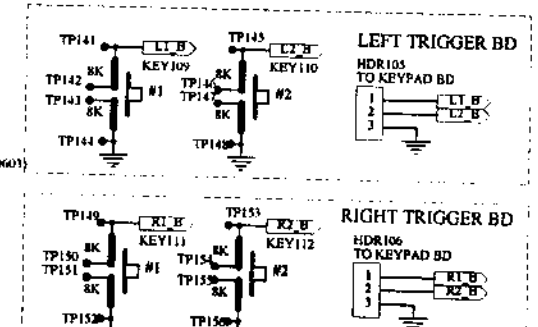
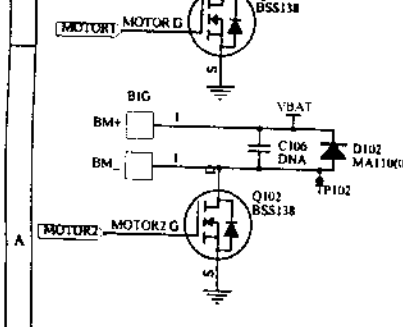
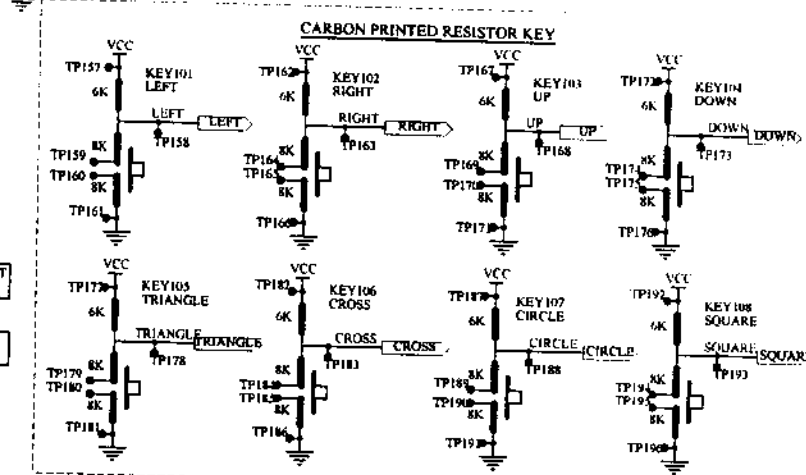
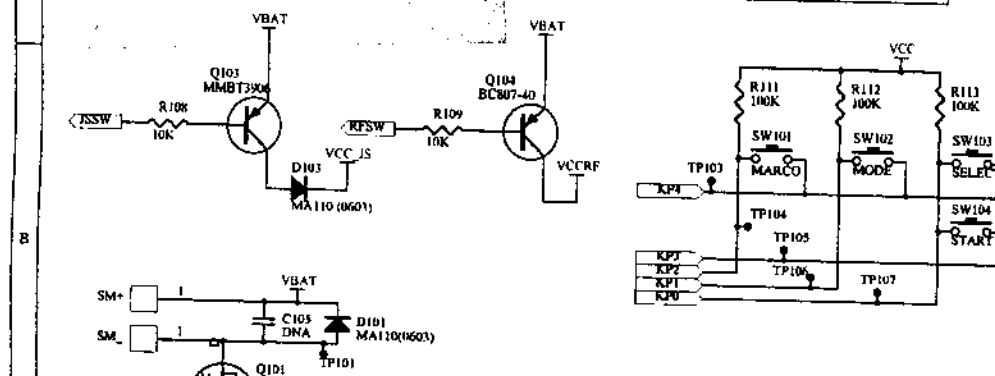
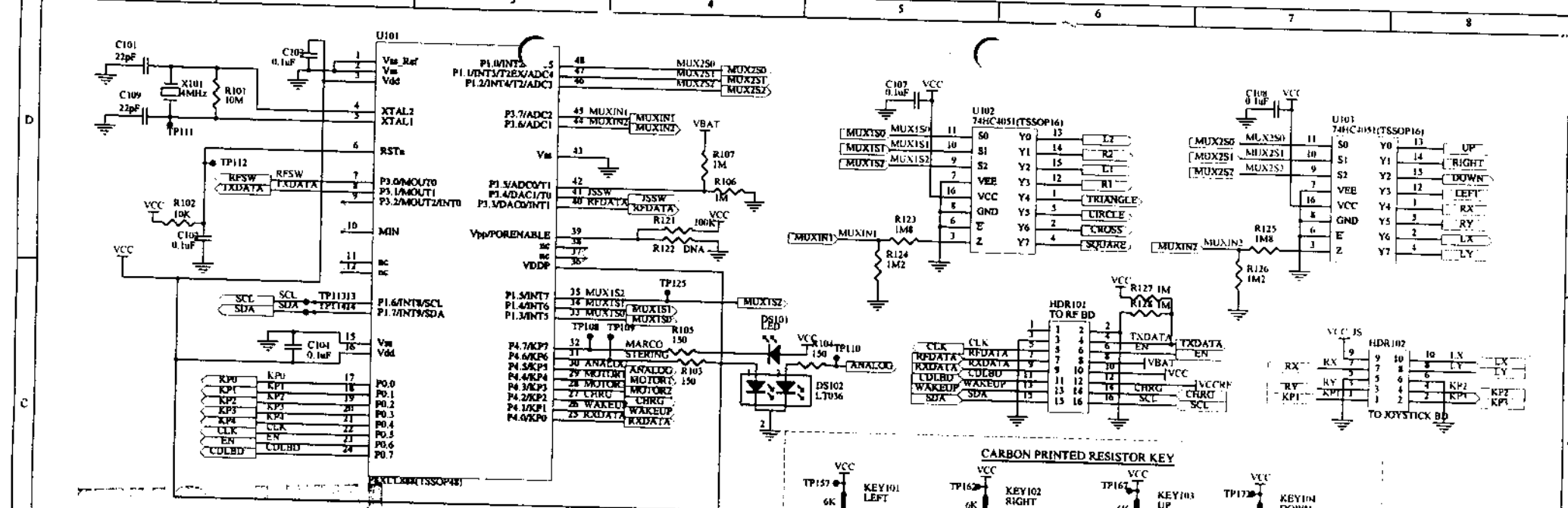


Master Copy  
 Checked by *lee*  
 Date 20/6/2001



Proprietary Information Not To Be Disclosed Without Written Authorization From AVC.  
 © Addvalue Technologies Ltd, all rights reserved

DESCRIPTION			
CONTROLLER JOYSTICK BOARD SCHEMATIC			
DRAWN BY	PROJECT TITLE	REV :	
LINDA ONG	SAKURA 1	0.12	
DATE:	SIZE :	SHEET	OF
20 JUNE 2001	A4	1	1
FILE: F:\Sakura 1\Controllor JS\R012\sajjs012.ddb - SCH\sajjs012.sch			

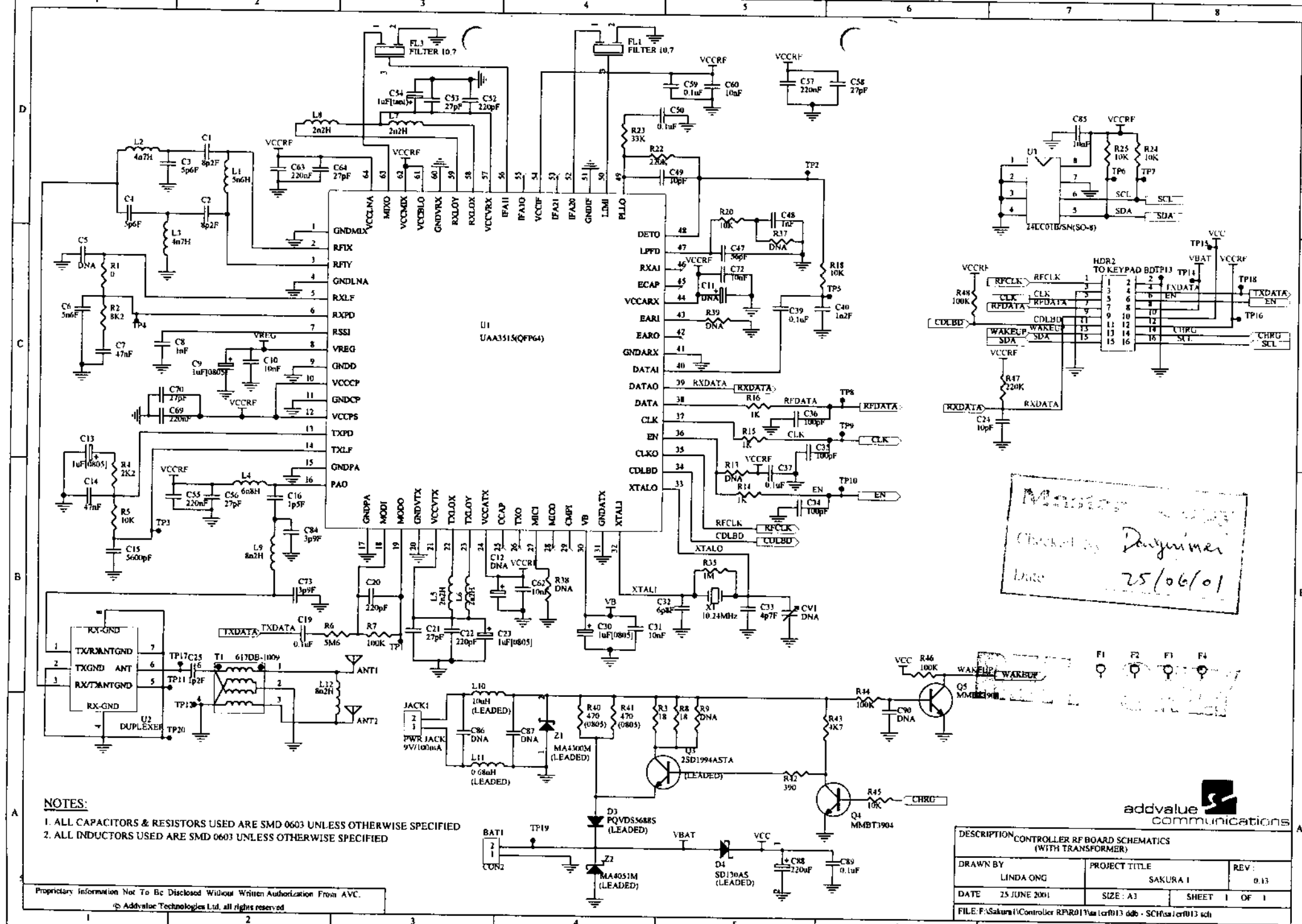


Master Copy  
 Check out  
 Date: 20/6/2001

addvalue communications

Proprietary Information Not To Be Disclosed Without Written Authorization From AVC.  
 © Addvalue Technologies Ltd. all rights reserved.

DESCRIPTION		
CONTROLLER KEYPAD BOARD SCHEMATIC		
DRAWN BY	PROJECT TITLE	REV
LYDIA CHONG	SAKURA 1	0.01
DATE	SIZE	SHEET
20 JUNE 2001	A3	1 OF 1
FILE: P:\Sakura1\Controler KPAD01\1wa1c\cpu13.ddb - SCH1a1.cpkp13.sch		



Checked by *Daryimer*  
Date *25/06/01*

- NOTES:**
1. ALL CAPACITORS & RESISTORS USED ARE SMD 0603 UNLESS OTHERWISE SPECIFIED
  2. ALL INDUCTORS USED ARE SMD 0603 UNLESS OTHERWISE SPECIFIED

Proprietary Information Not To Be Disclosed Without Written Authorization From AVC.  
© Addvalue Technologies Ltd, all rights reserved



DESCRIPTION: CONTROLLER RF BOARD SCHEMATICS (WITH TRANSFORMER)		
DRAWN BY: LINDA ONG	PROJECT TITLE: SAKURA 1	REV: 0.13
DATE: 25 JUNE 2001	SIZE: A1	SHEET 1 OF 1
FILE: F:\sakura1\controller\rf\rf13.ddb - SCH\rf13.sch		