


5mm



MAD CATZ

Model No.: 43401

The shape and design of this product is
a trade dress of Mad Catz, Inc. ©2014
Item No. 43401 Input: 5V  500mA
Tested to comply with FCC Standards.



For Home or Office Use.

MSIP-CMM-MAD-43401A

FCC ID: P25D2434011101A

IC: 4633A-D2434011101A

Made In China

 018-130031

5mm

MCB43401 -F.R.E.Q. 9

Rating Label

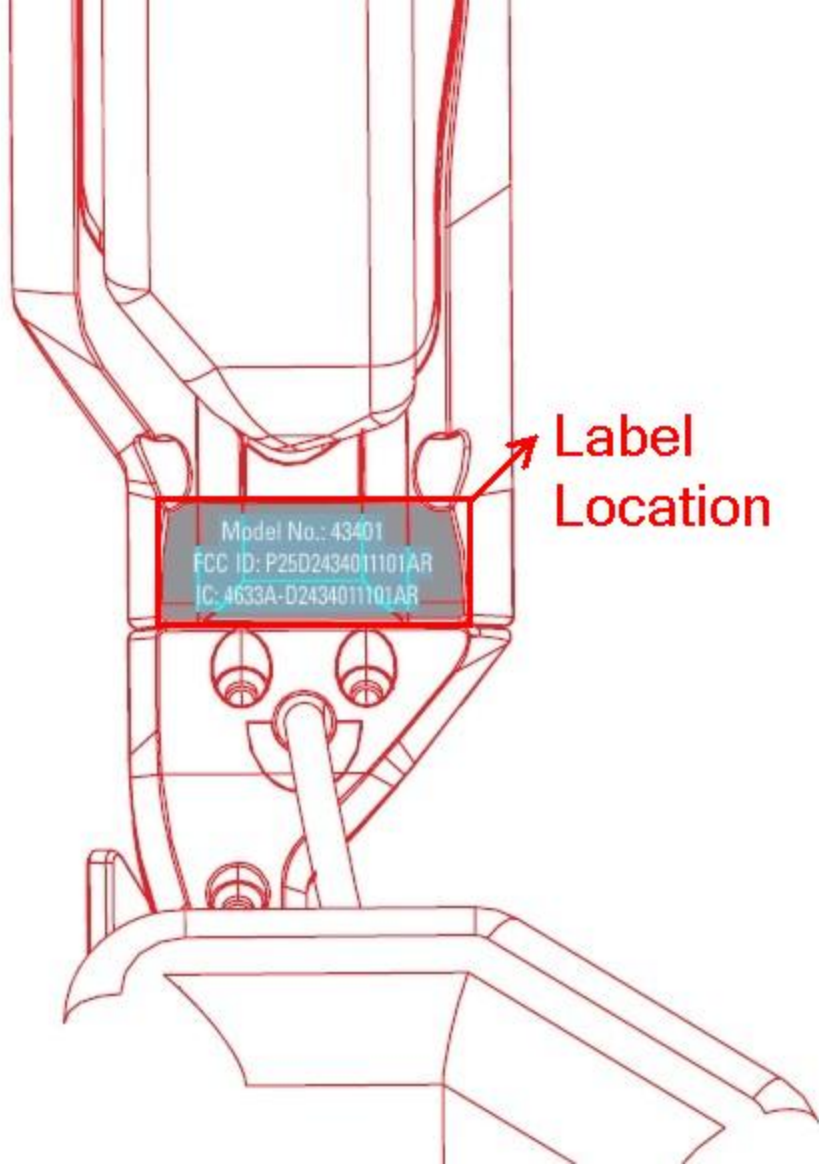
Size:49x24mm

Color: Pantone Black

Material: Clear Sticker

Coating: PP coating

Date: 19 Dec, 2013



Label
Location