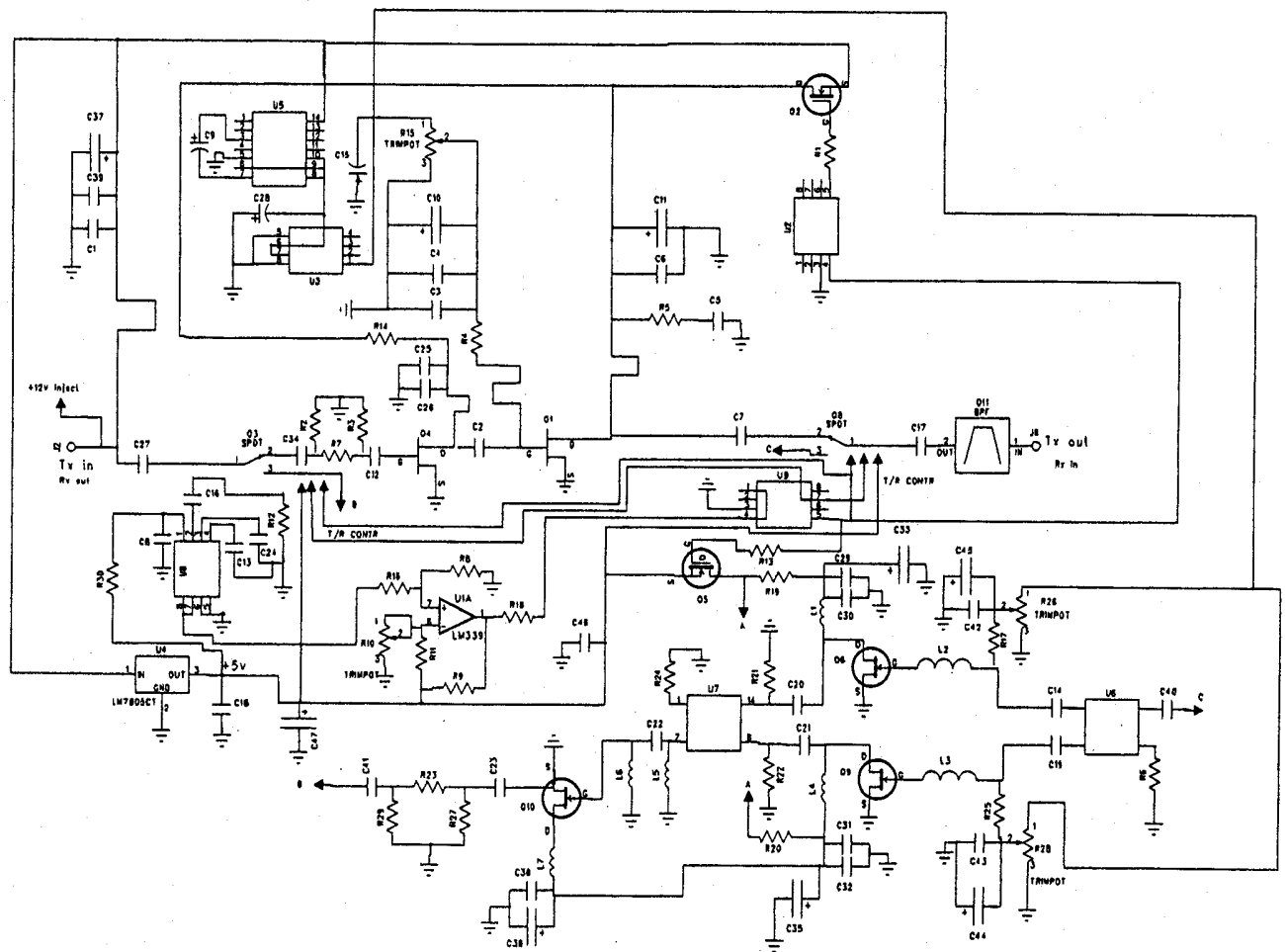


Z\_T\_R\_2480-2.sch-1 - Thu Apr 06 16:47:13 2000

6 5 4 3 2 1

AMPLIDYNE, INC PROPRIETARY

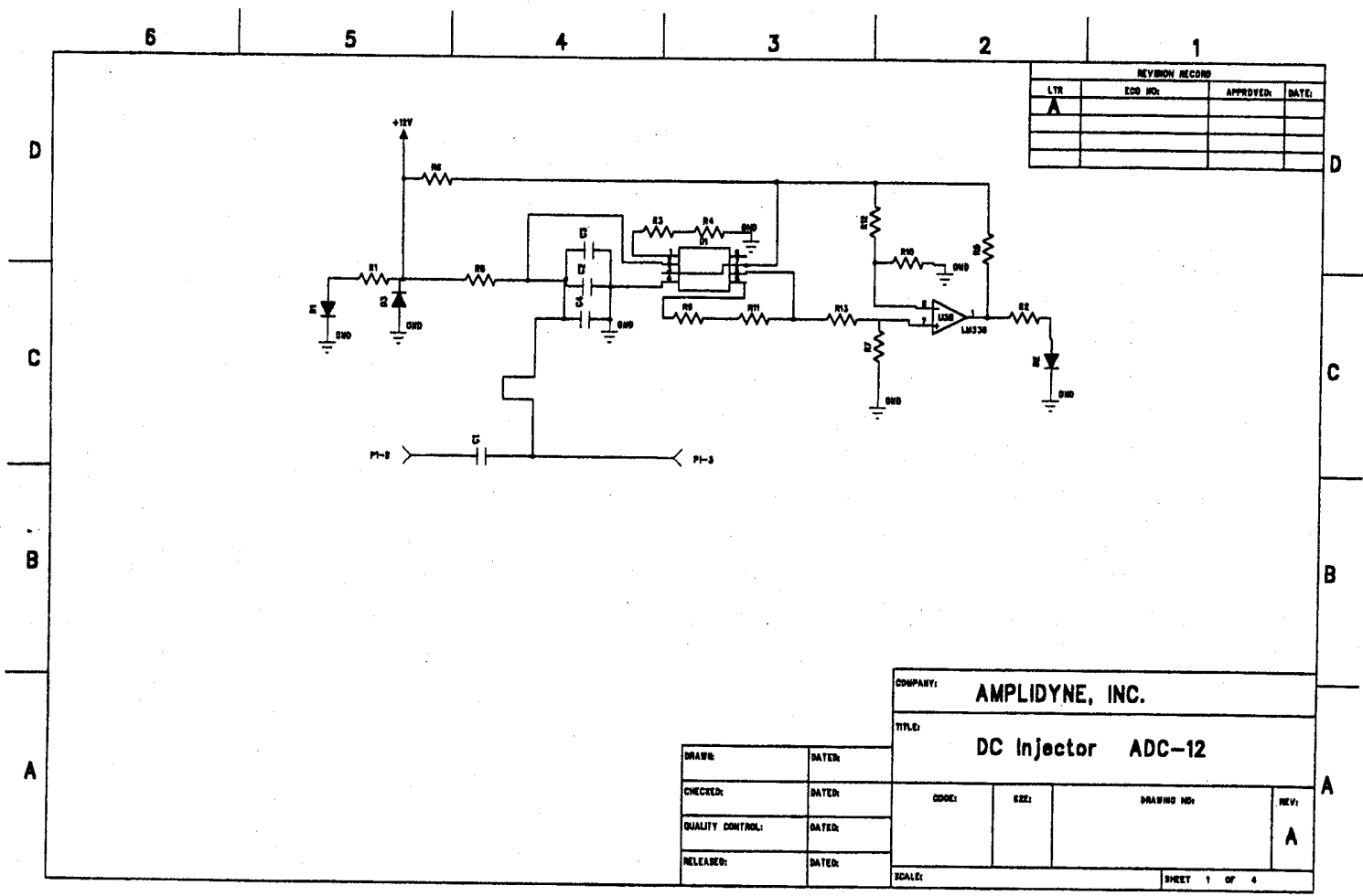
REVISION RECORD			
LTR	ECO NO.	APPROVED:	DATE:
REV. A			
REV. B	None other in front of Amplifier		2.10.2000



D  
C  
B  
A

D  
C  
B  
A

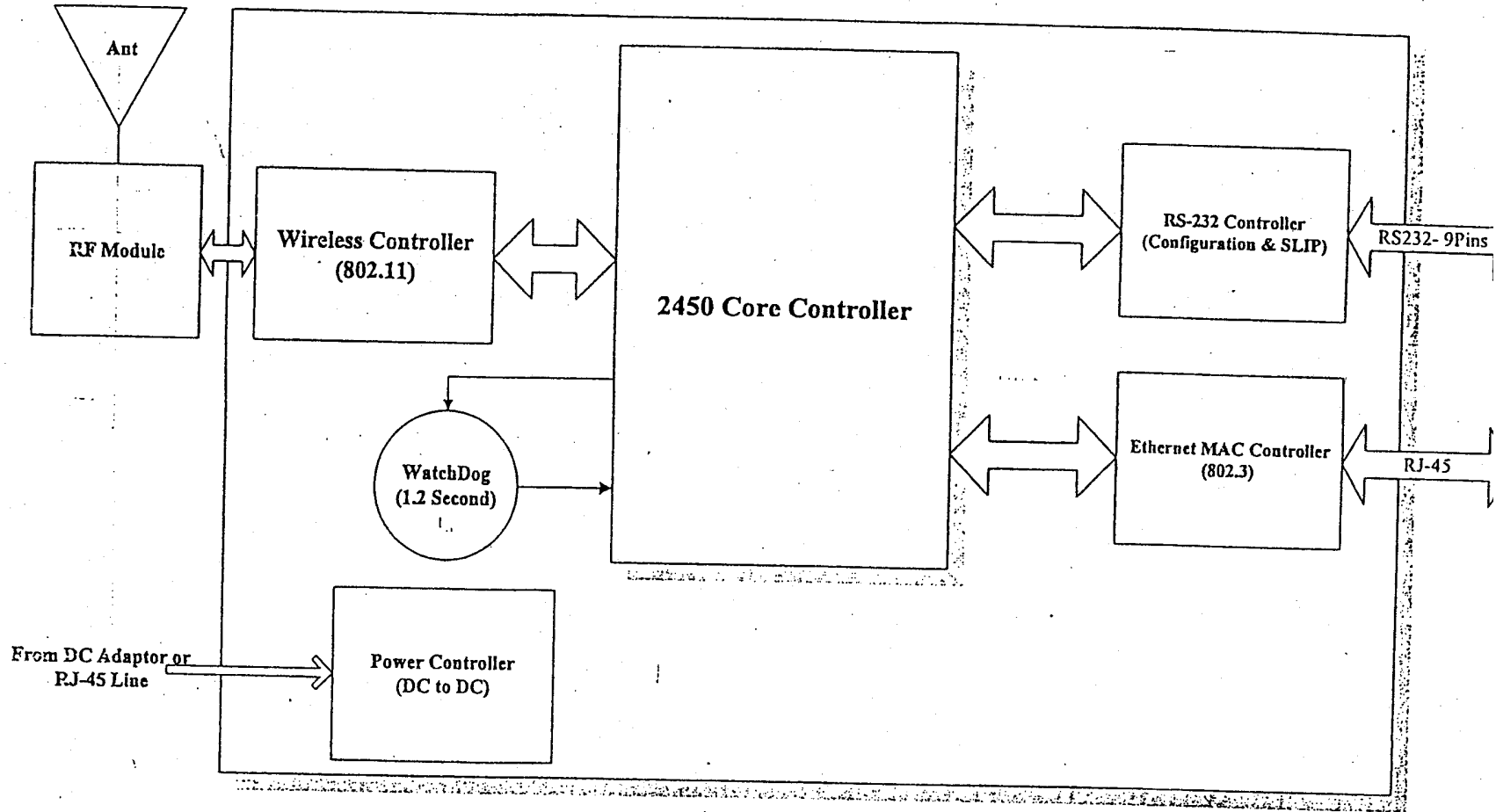
COMPANY:				<b>AMPLIDYNE, INC</b>			
TITLE:				<b>SPREAD SPECTRUM T/R AMPLIFIER</b>			
				<b>MODEL: AMP2425-27S</b>			
DRAWN:	DATED:	CODE:	SIZE:	DRAWING NO:	REV:		
CHECKED:	DATED:			<b>AMP500208</b>	<b>B</b>		
QUALITY CONTROL:	DATED:						
RELEASED:	DATED:						
SCALE:				SHEET: OF 1			



REVISION RECORD			
LTR	ECO NO.	APPROVED	DATE
A			

COMPANY:				AMPLIDYNE, INC.			
TITLE:				DC Injector ADC-12			
COOL:	SIZE:	DRAWING NO:		REV:		A	
SCALE:				SHEET 1 OF 4			

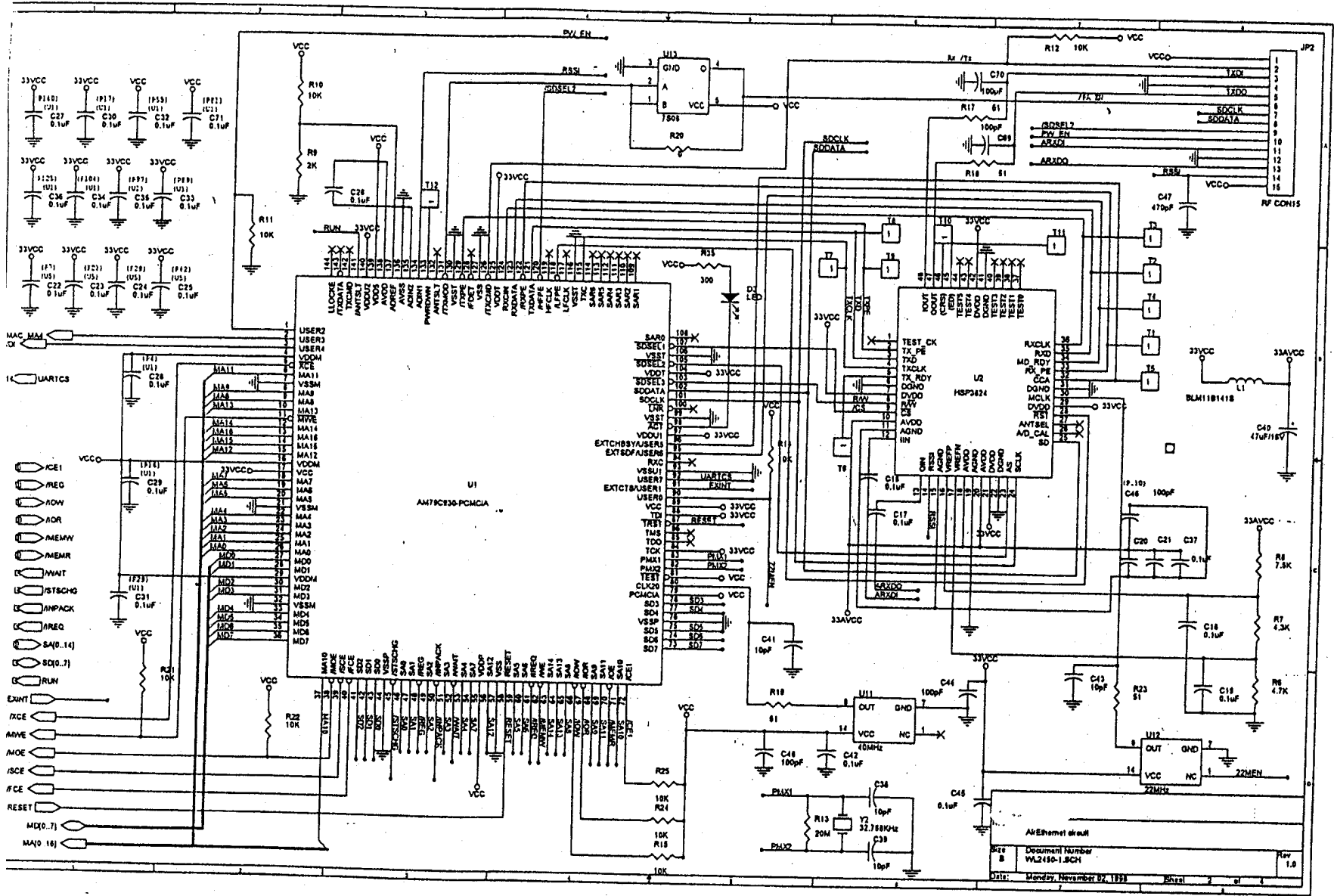
DRAWN:	DATE:
CHECKED:	DATE:
QUALITY CONTROL:	DATE:
RELEASED:	DATE:

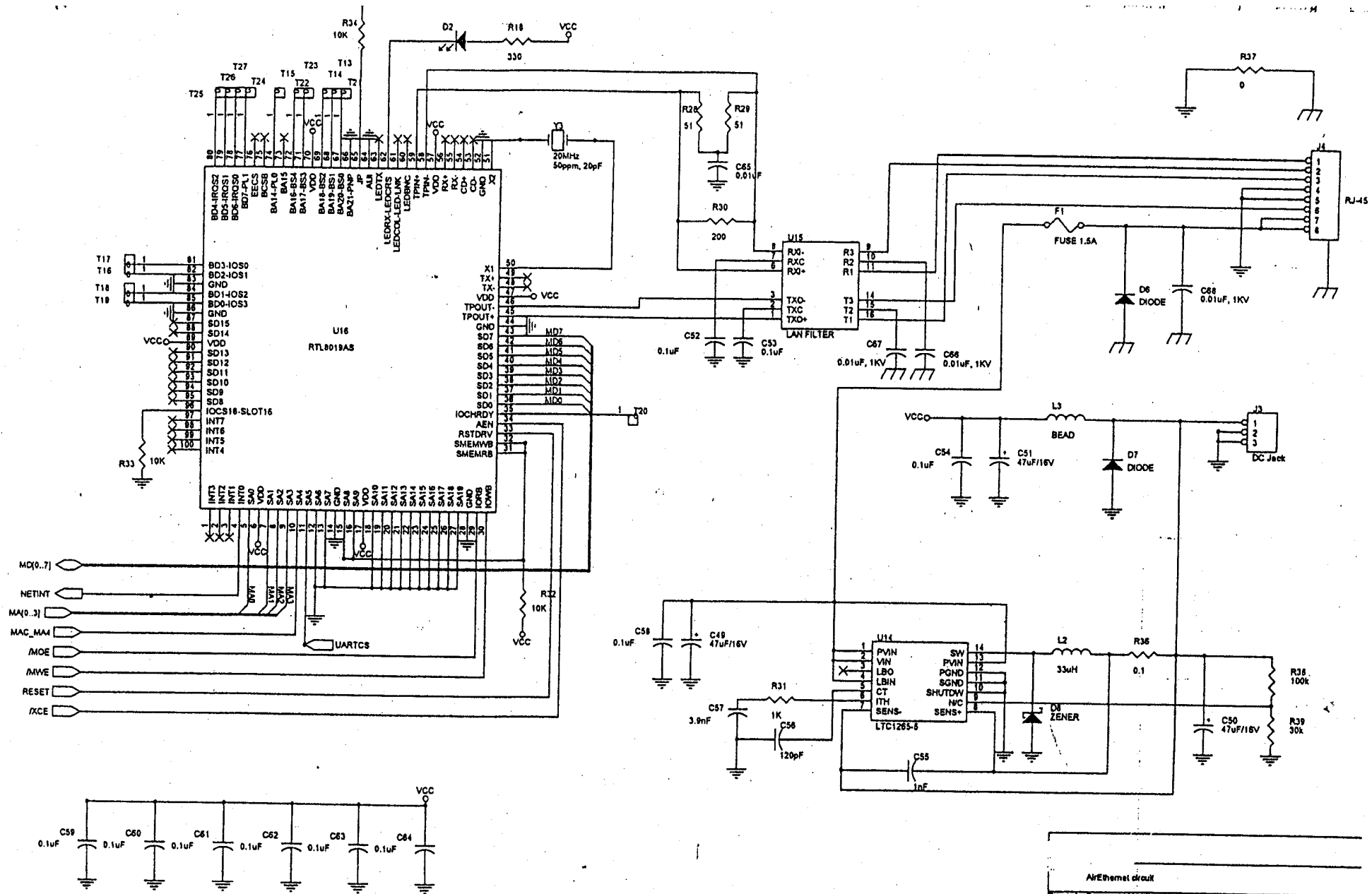


# WL2450 Block Diagram

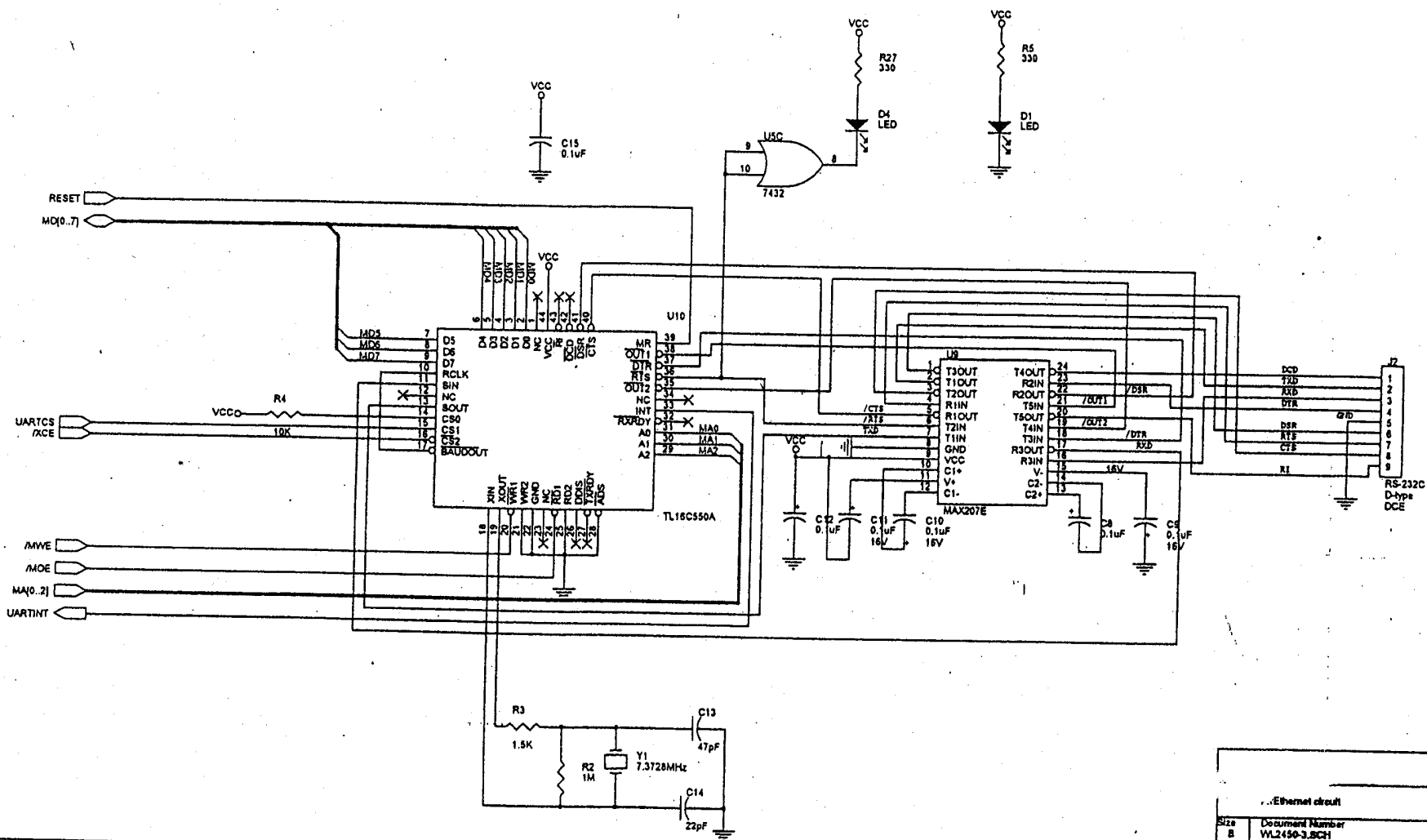
# *Circuit Diagram*



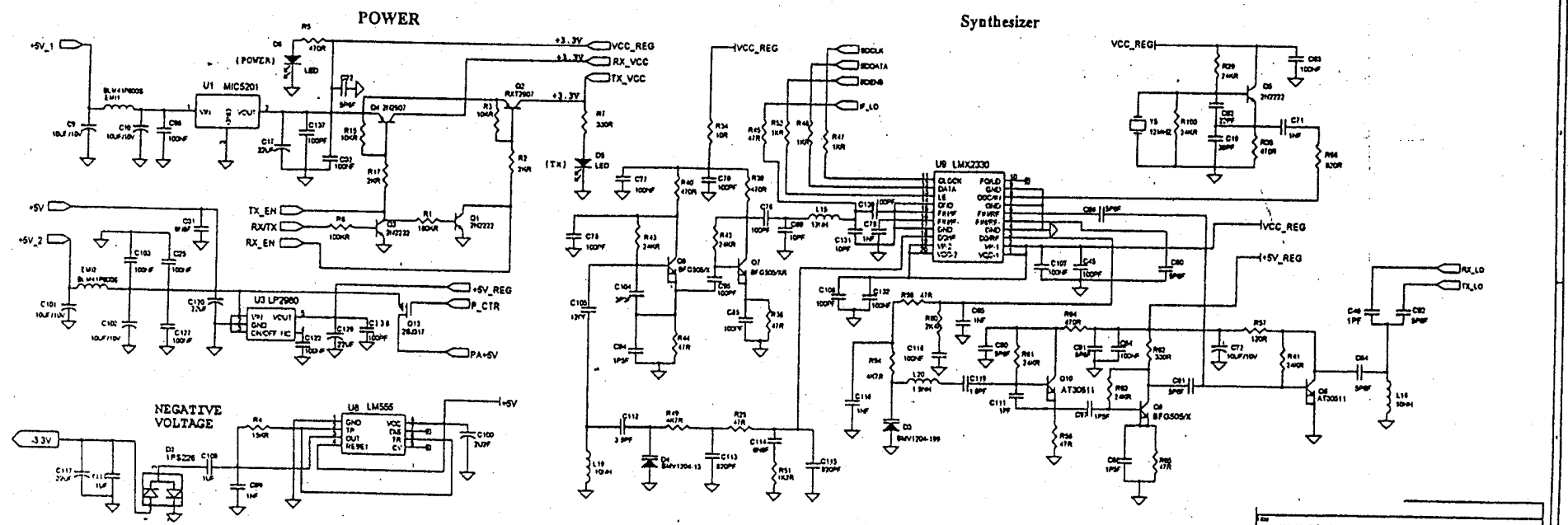
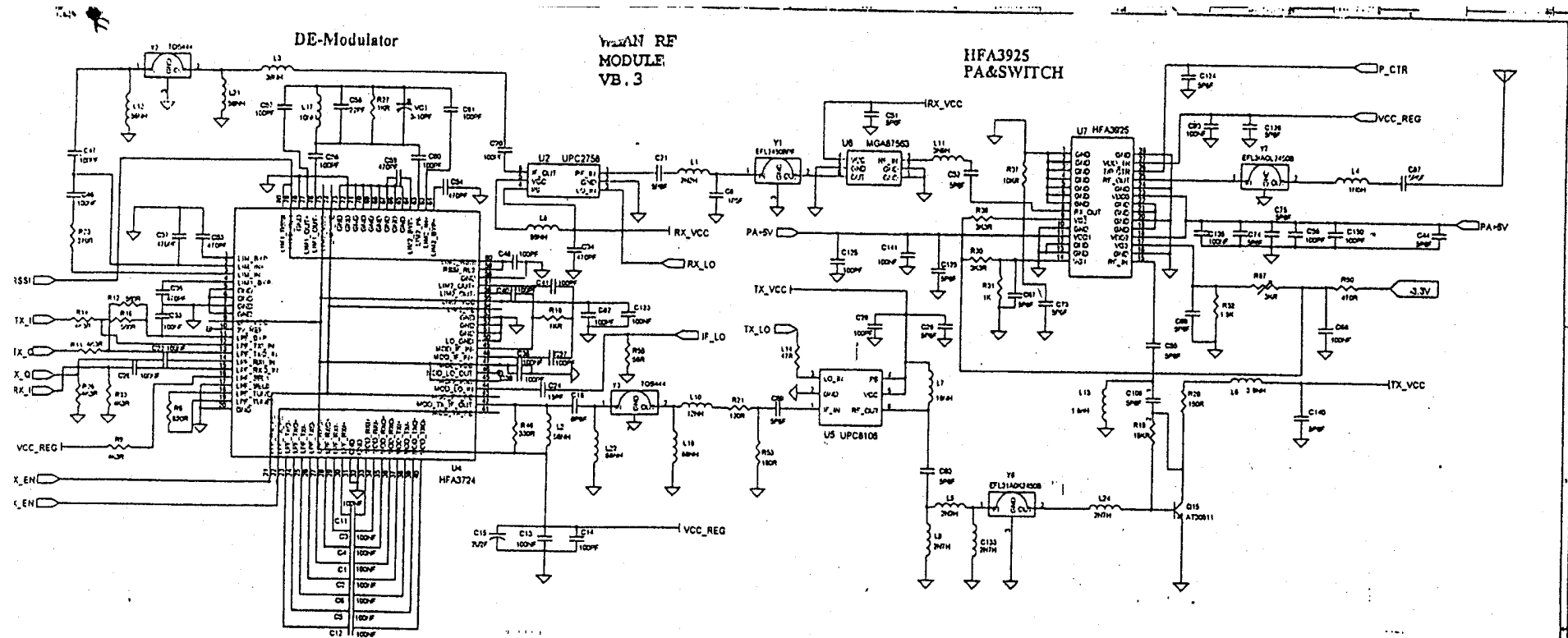




AirEthernet circuit	
Size B	Document Number WL2450-2.SCH
Date: Monday, November 02, 1999	Sheet 3 of 4







WLAN RF VB.3	
Rev: 0	Document Number: DANIEL_TEND
Date: 10/11/04	Page: 1 of 1