

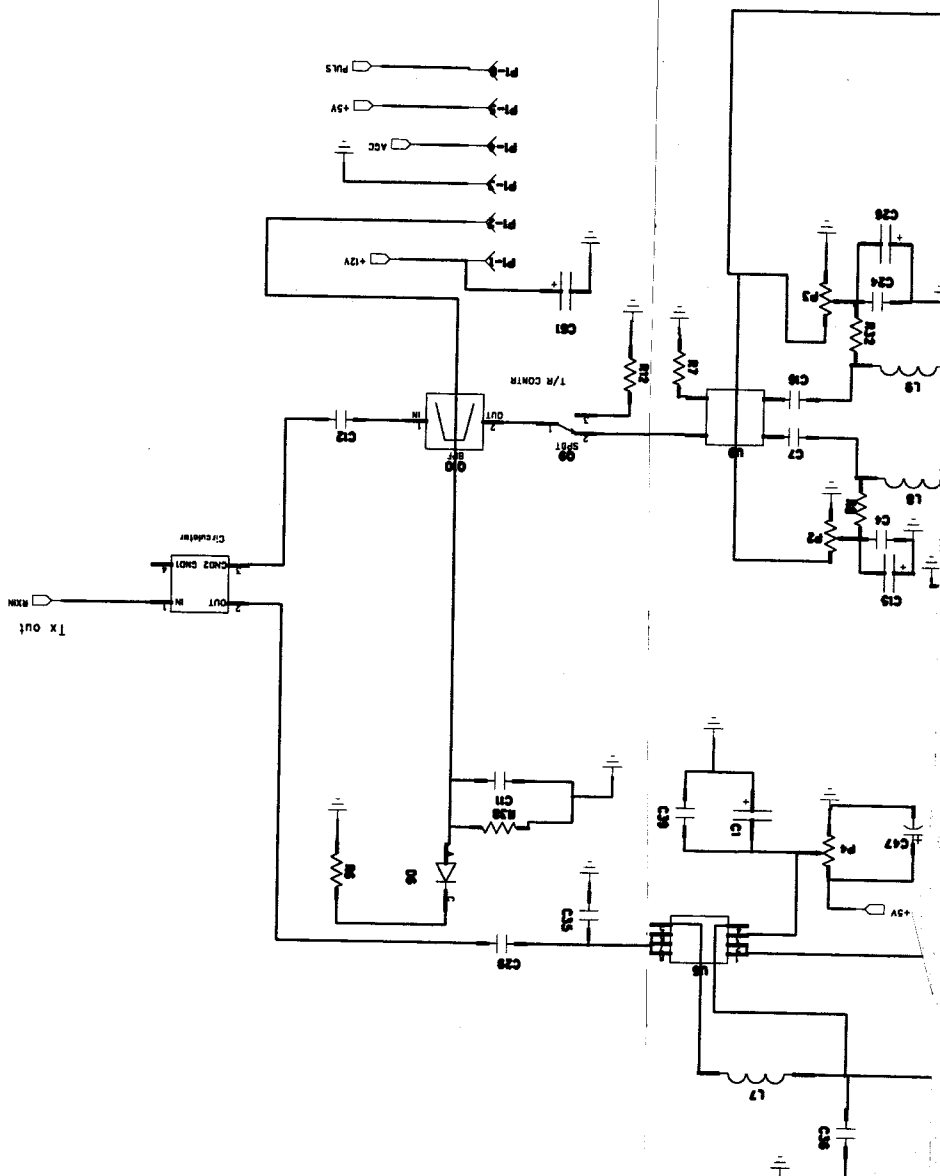
A

B

C

D

DRAWN: _____		DATE: _____	
CHECKED: _____		DATE: _____	
QUALITY CONTROL: _____		DATE: _____	
RELEASED: _____		DATE: _____	
SCALE: _____			
SHEET: OF _____			
COMPANY: AMPLIDYNE, INC		TITLE: _____	
DRAWING NO: _____		REV: _____	
CODE: _____		SIZE: _____	
SCH500352		A	



REVISION RECORD	
LTR	ECO NO:
APPROVED:	DATE: