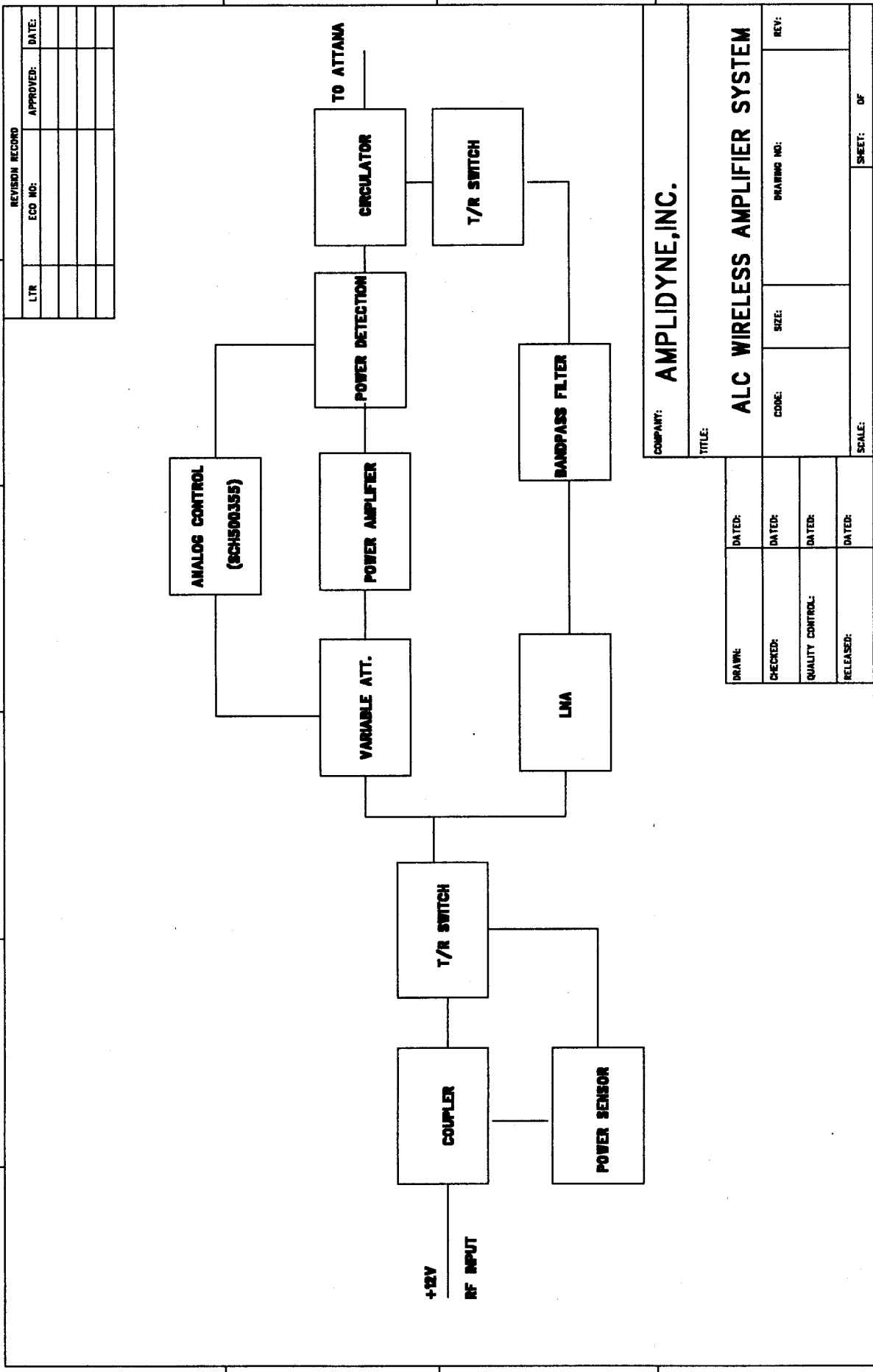
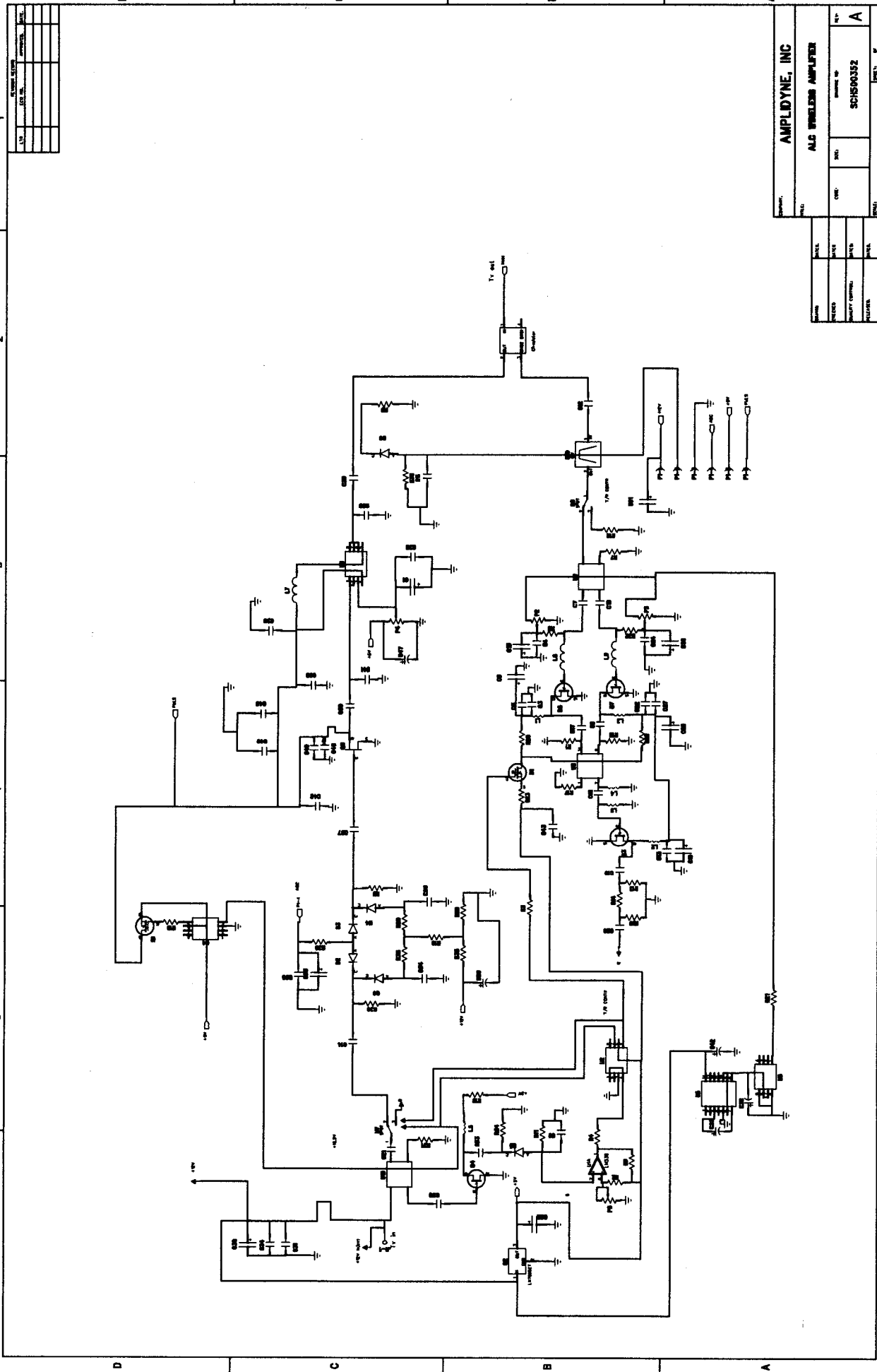


6 5 4 3 2 1



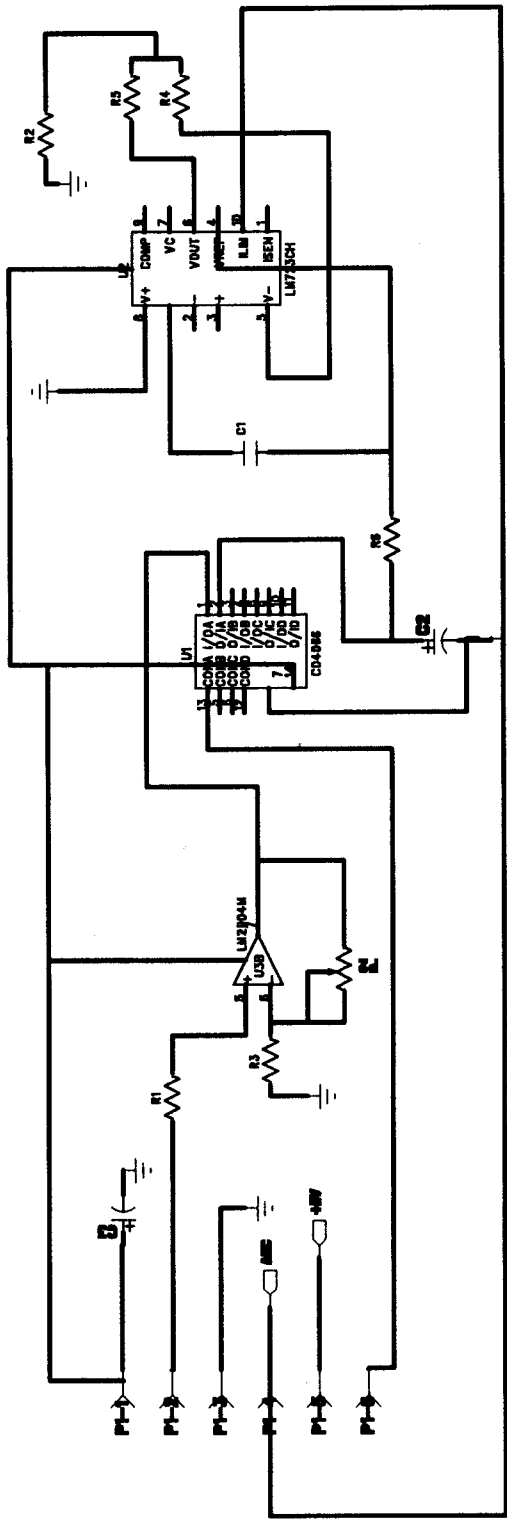


REV	DATE	BY

AMPLDYNE, INC		DATE	
ALS WELDER AMPLIFIER		DESIGNER	
SCH500352		CHECKED	
		DATE	

1
2
3
4
5
6

REVISION RECORD		
LTR	ECD NO:	APPROVED: DATE:



COMPANY: AMPLIDYNE, INC.	
TITLE: ANALOG CONTROL	
CODE:	DRAWING NO: SCH500355
SIZE:	REV: A
SCALE:	SHEET: 01 OF 01

DRAWN:	DATED:
CHECKED:	DATED:
QUALITY CONTROL:	DATED:
RELEASED:	DATED:

D C B A