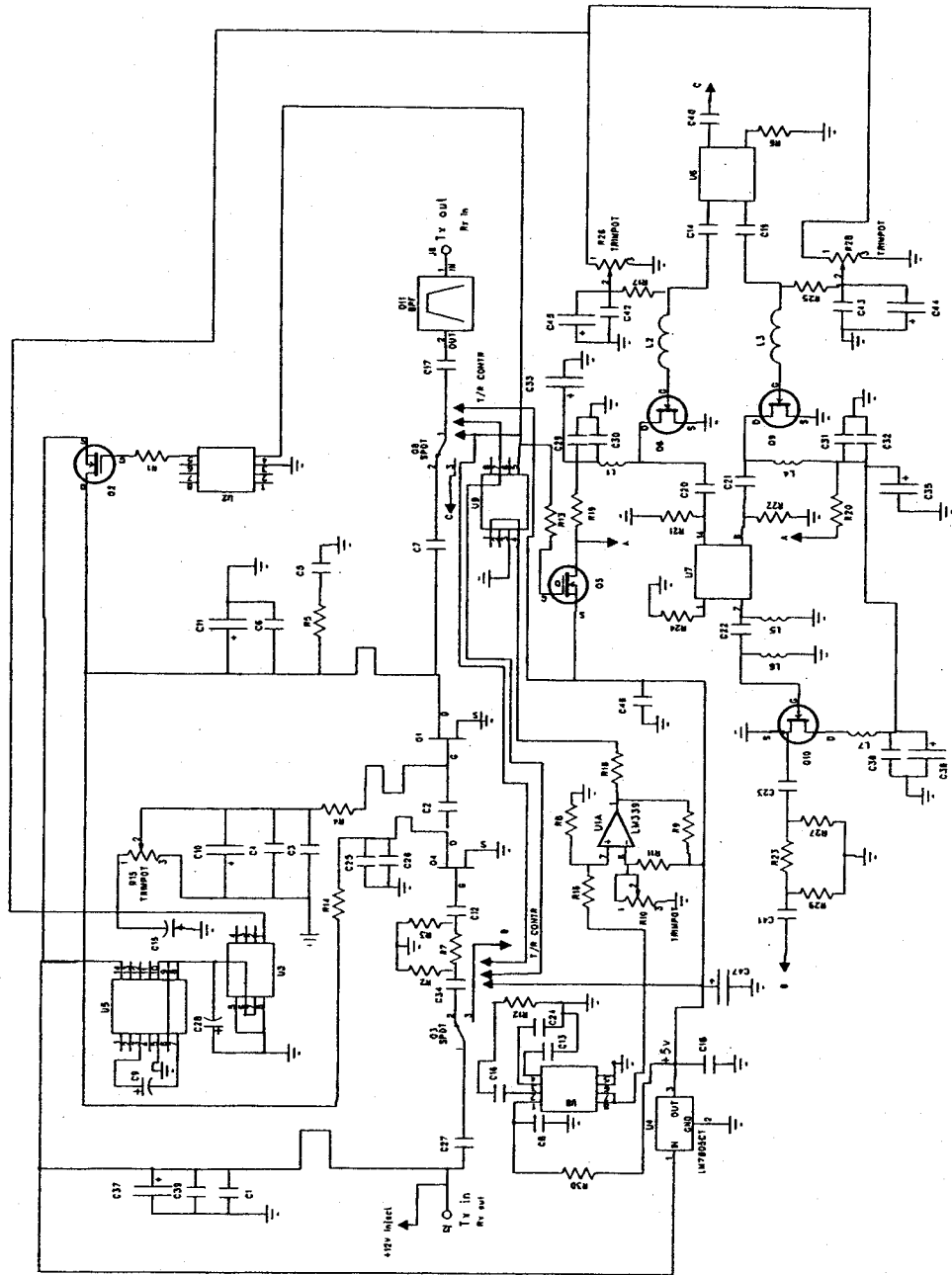


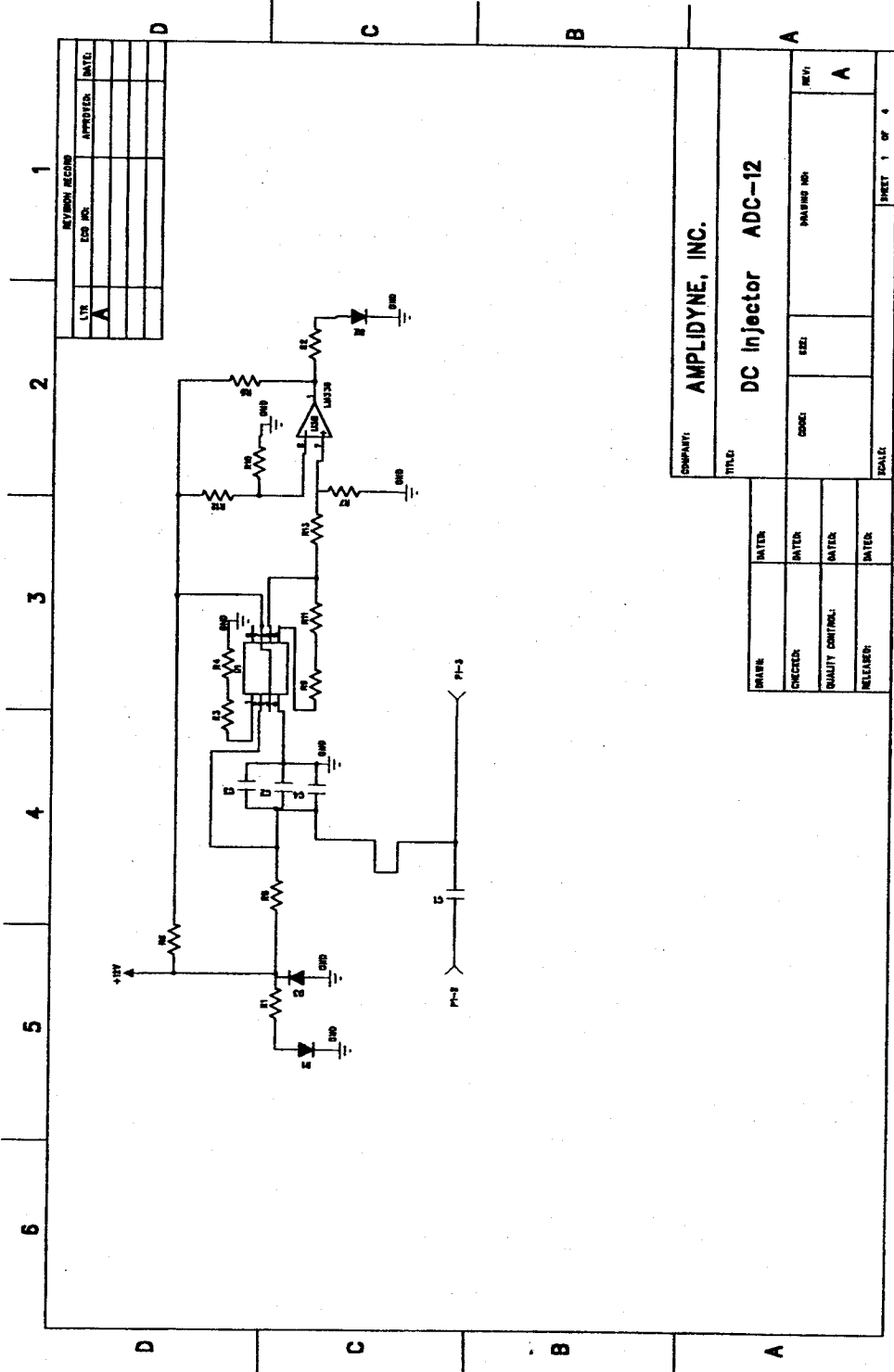
1 2 3 4 5 6

AMPLIDYNE, INC PROPRIETARY

REVISION RECORD		
LTR	ECO NO.	APPROVED DATE
REV. A		
REV. B		



COMPANY: AMPLIDYNE, INC		TITLE: SPREAD SPECTRUM T/R AMPLIFIER MODEL: AMP2425-27S	
DATE:	CODE:	SIZE:	REV: B
CHECKED:	QUALITY CONTROL:	DATE:	DRAWING NO: AMP500208
SCALE:	DATE:	DATE:	SCALE:
DATE:	DATE:	DATE:	DATE:



LTR	REVISED RECORD	DATE:
A	ECO INC.	
	APPROVED:	

COMPANY: **AMPLIDYNE, INC.**

TITLE: **DC Injector ADC-12**

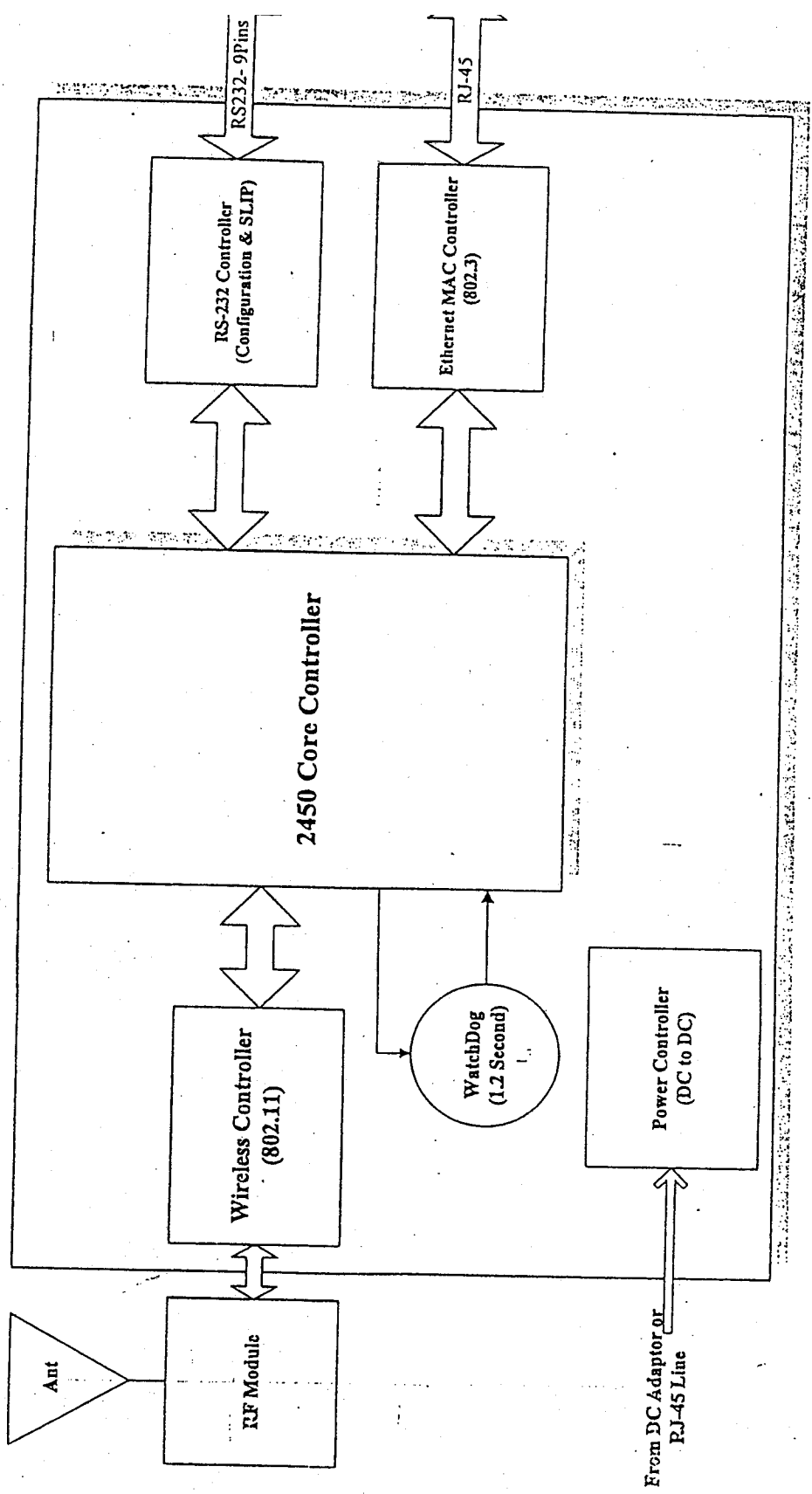
DATE:	IN YER:
CHECKER:	IN YER:
QUALITY CONTROL:	IN YER:
RELEASED:	IN YER:

ECO:	DES:	DRAWING NO:	REV:
			<b>A</b>

SCALE: SHEET 1 OF 4

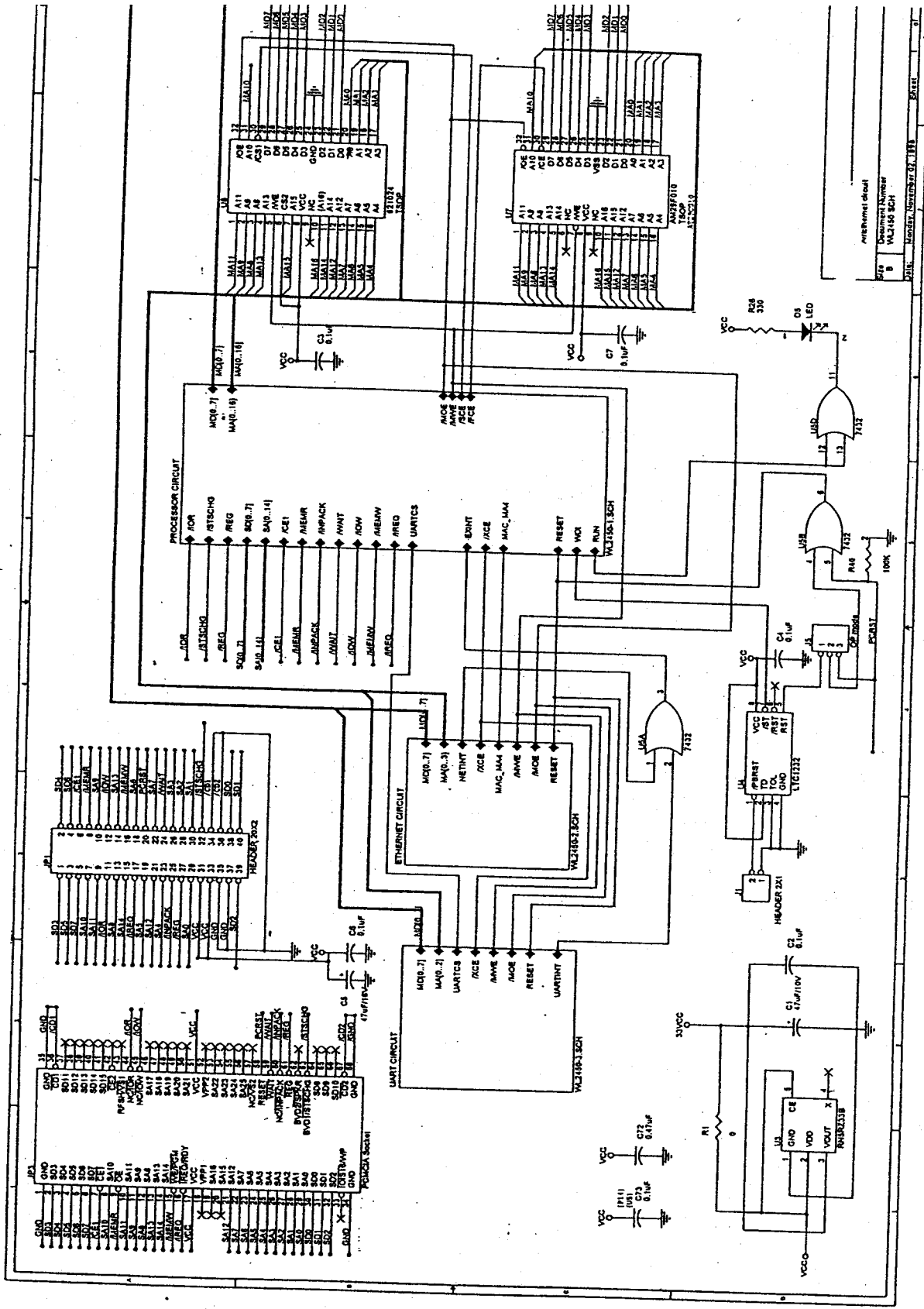
Wireless  
Industries  
No. 10  
885-3-7773

A Wireless Networking Company



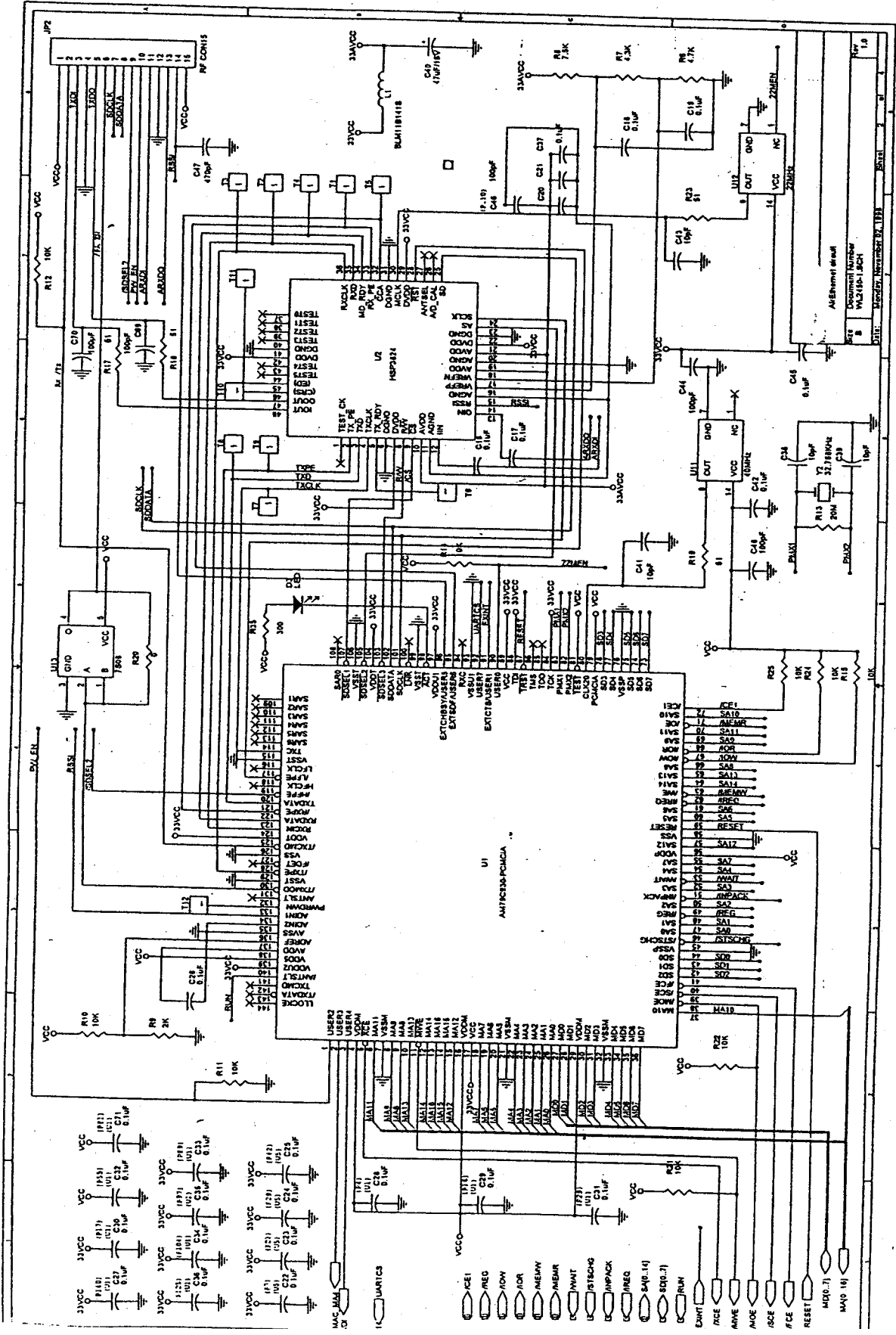
# WL2450 Block Diagram

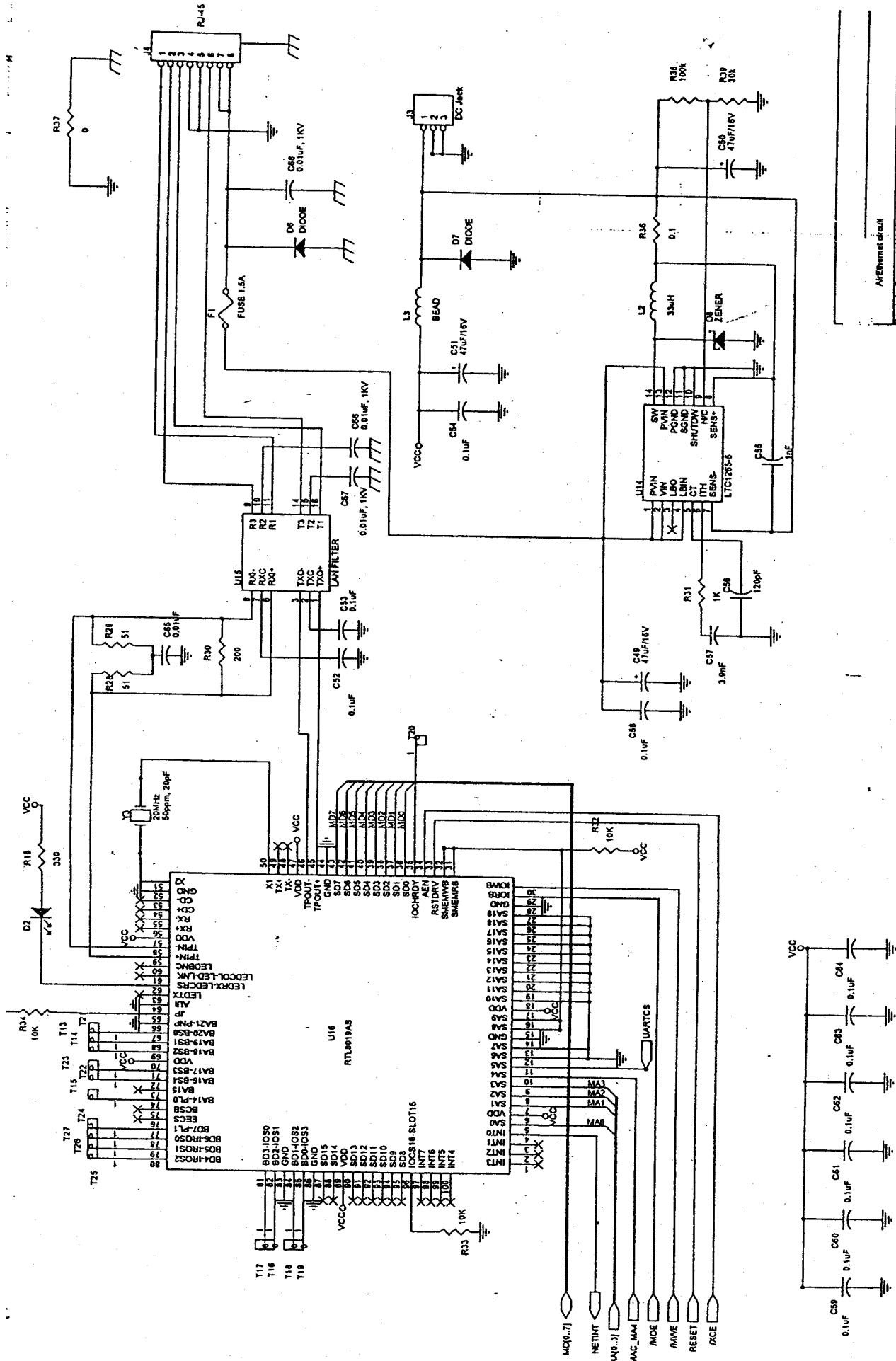
# *Circuit Diagram*



AVS/Netmet design  
 Project Number  
 VAL318512CH

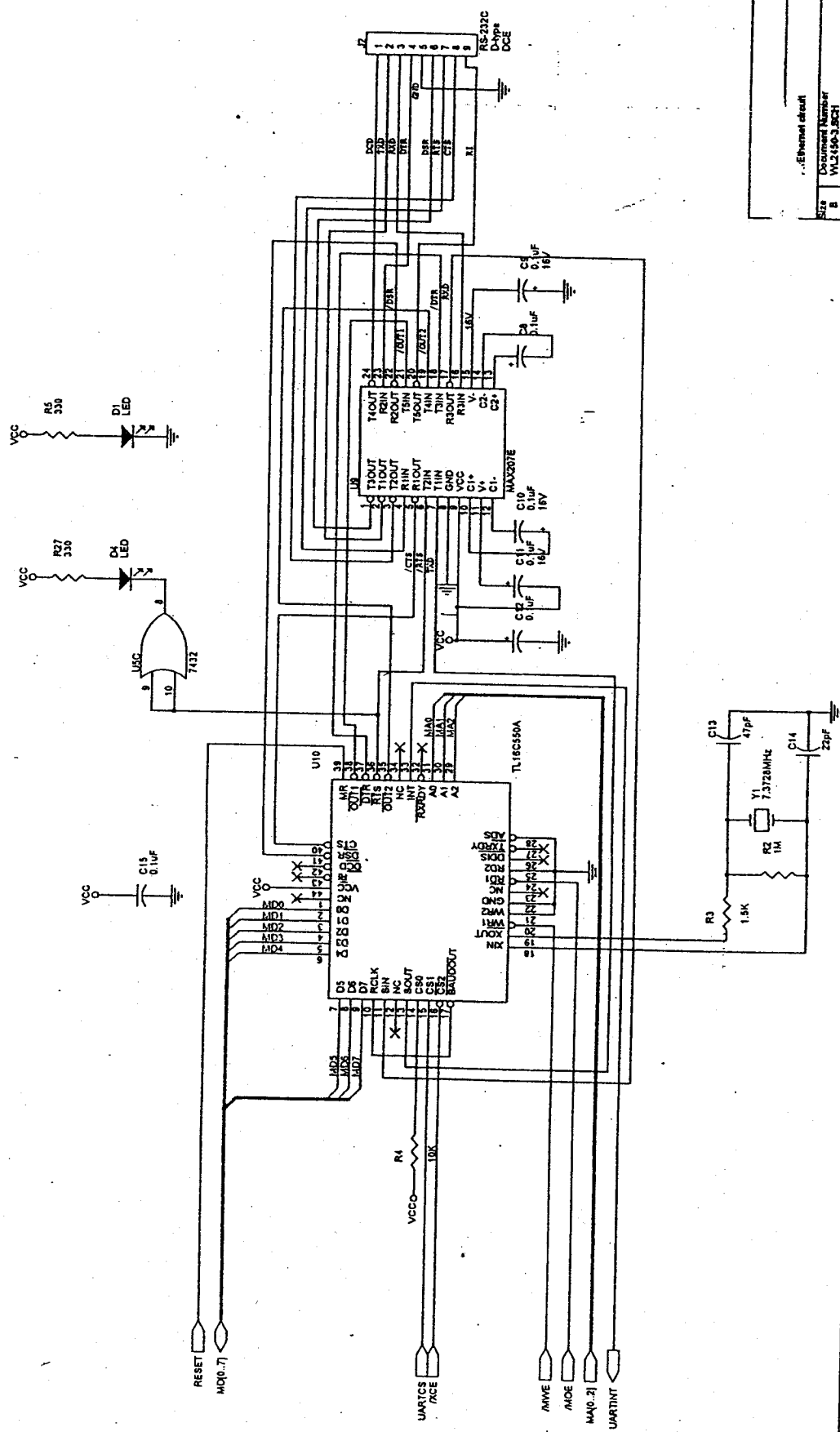
DATE: MONTH, SWITCH, YEAR, TIME





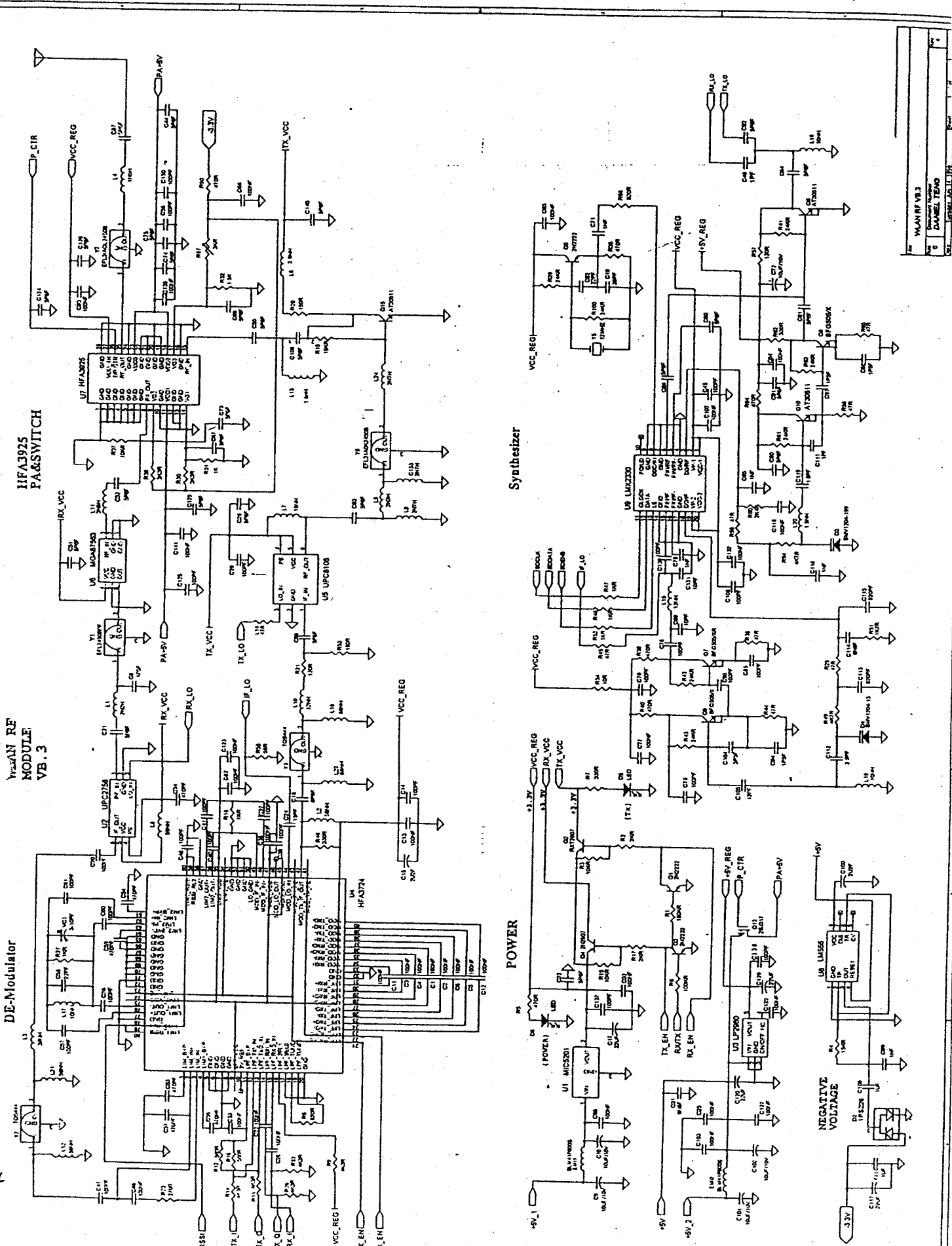
AltEthernit circuit  
 Document Number  
 VAL2450-2.SCH1

Date: Monday, November 02, 1993 Sheet 3 of 3



...Ethernet circuit  
 Document Number  
 WL21963\_BCH  
 Size 8  
 Date: Monday, November 02, 1998 8:51pm 2 of 2





DE-Modulator

HFA3925 PA & SWITCH

Synthesizer

POWER

NEGATIVE VOLTAGE

1	YUAN RF V8.3
2	DATE: 1999.09.09
3	DESIGNER: JIAJIA.THE