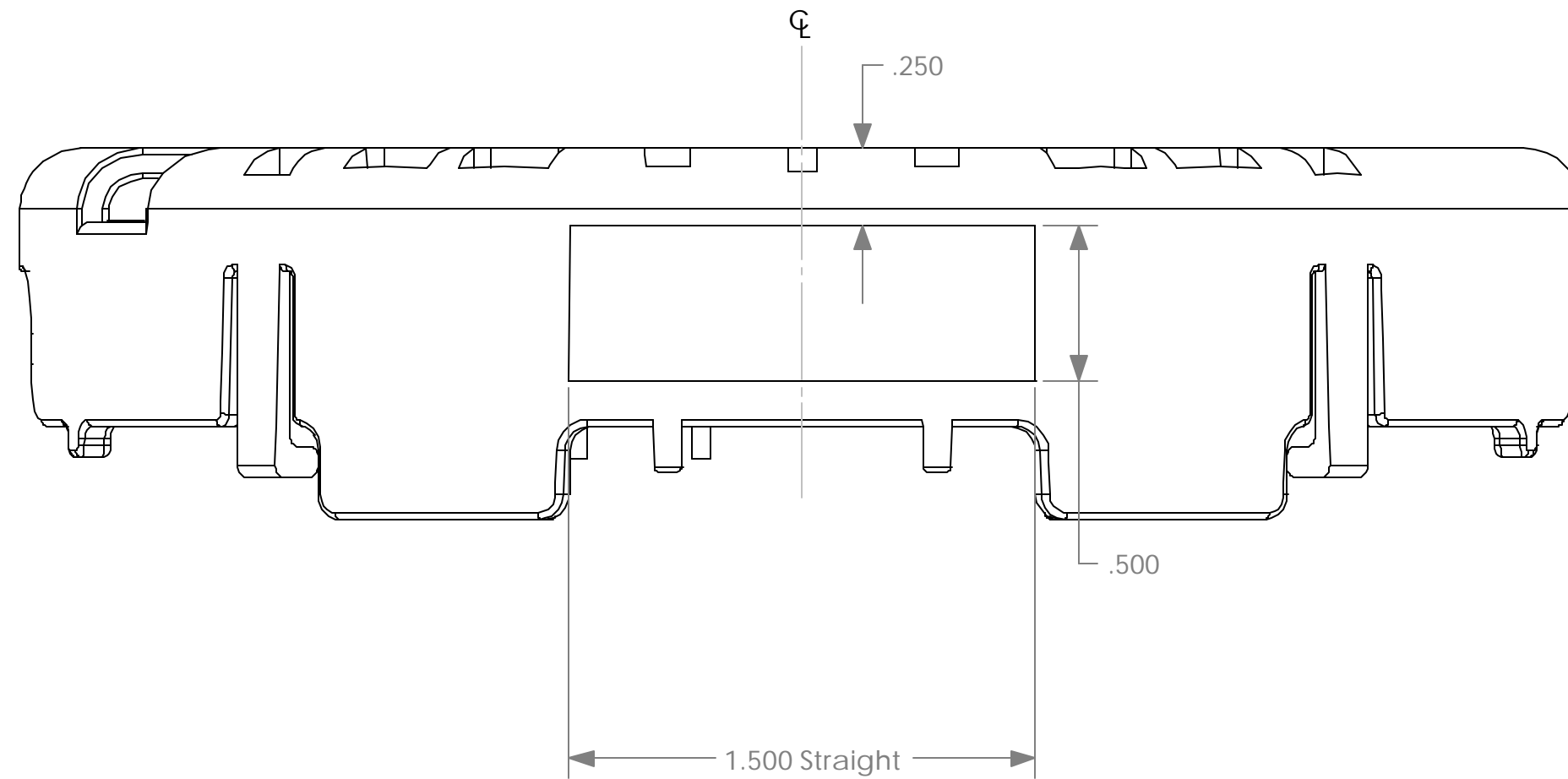


All dimensions are in inches	SCALE	FINISH	MATERIAL	PROJECT
NAME	Not Scaled			
TC Exploded Veiw	FILE NAME	Part No.	page of drawing	Tantalus Systems Corp.
	280-0002-AS01		1 of 4	

(c) Tantalus Systems Corp. All rights reserved. No part of this publication, or any software included with it may be reproduced, stored in a retrieval system, or transmitted in any form or by any means including photocopying, electronic, mechanical, recording or otherwise without the prior written permission of the copyright holder. This document contains proprietary information of Tantalus Systems Corp. The contents are confidential and any disclosure to the persons other than the officers, employees, agents or subcontractors of the owner or licensee of this document, without the prior written consent of Tantalus Systems Corp. is strictly prohibited.

4224 Manor St., Burnaby, BC Canada, V5G 1B2 Ph: (604) 299-0458 Fax: (604) 541-4111

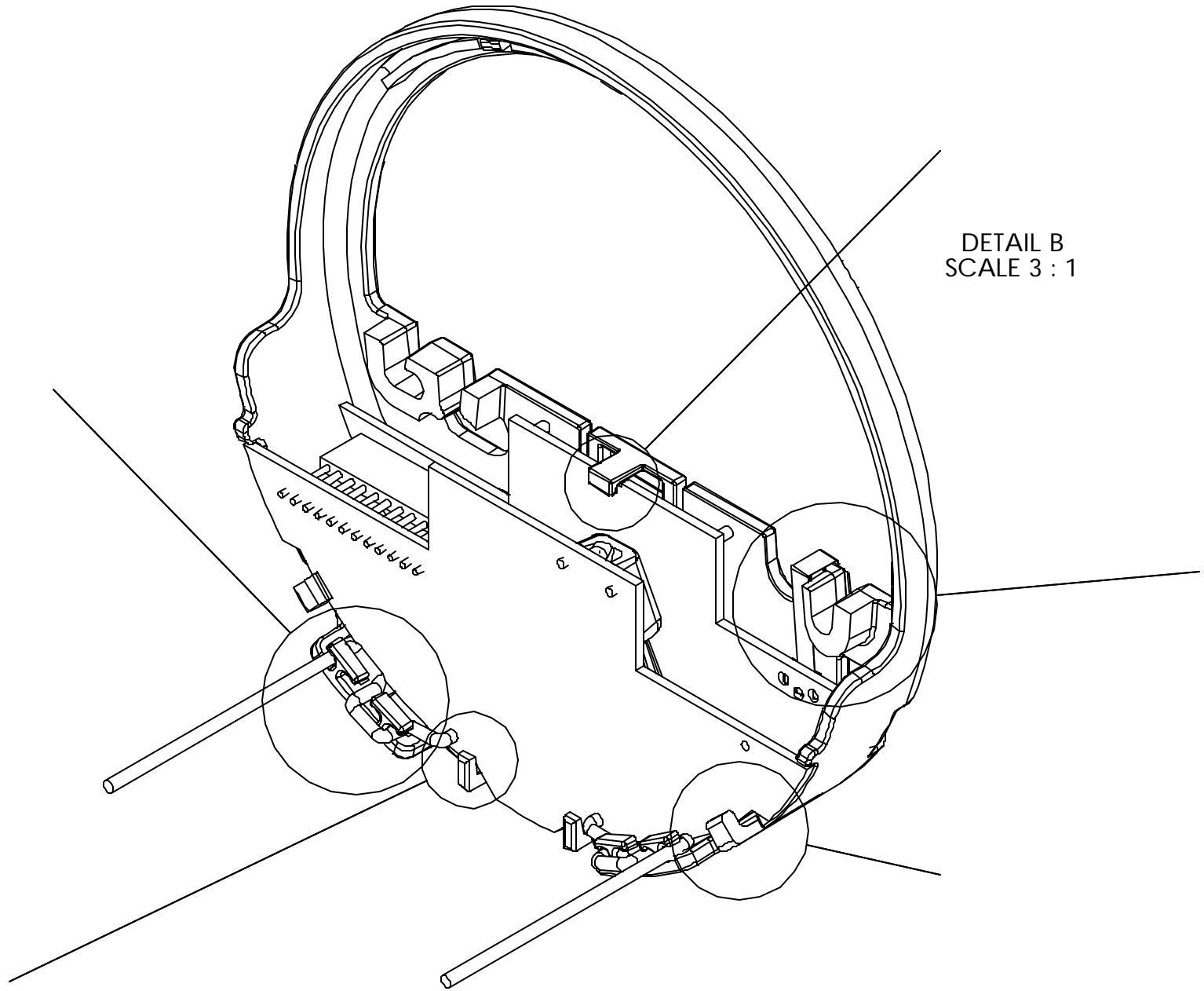


All dimensions are in inches	SCALE	FINISH	MATERIAL		PROJECT
NAME	Not Scaled				
TC2200 Label Location	FILE NAME		Part No.	page of drawing	Tantalus Systems Corp.
	280-0002-AS01			2 of 4	

(c) Tantalus Systems Corp. All rights reserved. No part of this publication, or any software included with it may be reproduced, stored in a retrieval system, or transmitted in any form or by any means including photocopying, electronic, mechanical, recording or otherwise without the prior written permission of the copyright holder. This document contains proprietary information of Tantalus Systems Corp. The contents are confidential and any disclosure to the persons other than the officers, employees, agents or subcontractors of the owner or licensee of this document, without the prior written consent of Tantalus Systems Corp. is strictly prohibited.

4224 Manor St., Burnaby, BC
Canada, V5G 1B2

Ph: (604) 299-0458
Fax: (604) 541-4111



DETAIL E
SCALE 3 : 1

DETAIL B
SCALE 3 : 1

DETAIL D
SCALE 3 : 1

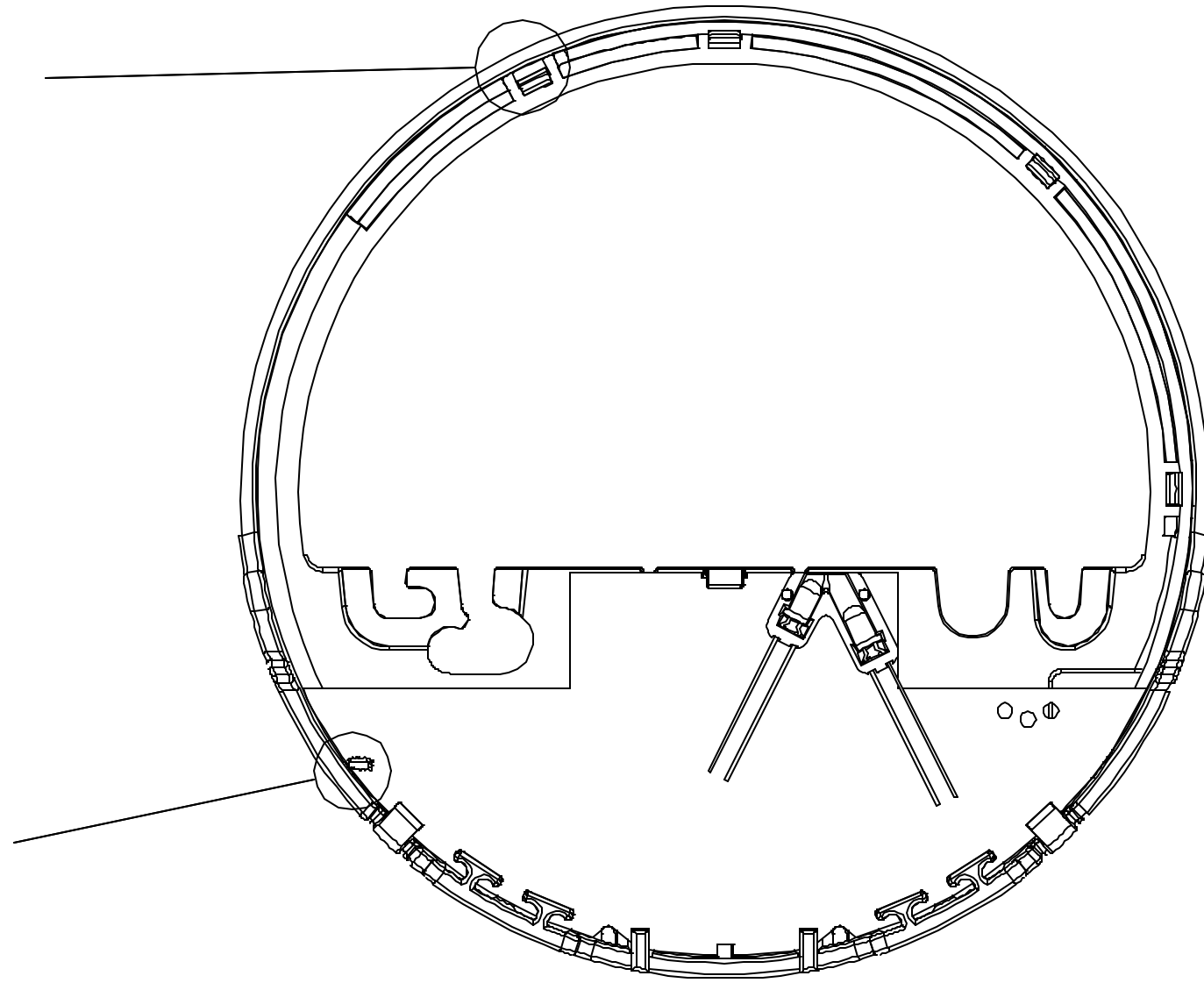
DETAIL A
SCALE 3 : 1

DETAIL C
SCALE 3 : 1

All dimensions are in inches		SCALE	FINISH	MATERIAL		PROJECT
NAME		Not Scaled				
Mounting Details 1		FILE NAME		Part No.	page of drawing	Tantalus Systems Corp.
		280-0002-AS01			3 of 4	

(c) Tantalus Systems Corp. All rights reserved. No part of this publication, or any software included with it may be reproduced, stored in a retrieval system, or transmitted in any form or by any means including photocopying, electronic, mechanical, recording or otherwise without the prior written permission of the copyright holder. This document contains proprietary information of Tantalus Systems Corp. The contents are confidential and any disclosure to the persons other than the officers, employees, agents or subcontractors of the owner or licensee of this document, without the prior written consent of Tantalus Systems Corp. is strictly prohibited.

DETAIL G
SCALE 5 : 1



DETAIL F
SCALE 5 : 1

All dimensions are in inches	SCALE	FINISH	MATERIAL		PROJECT
NAME	Not Scaled				
Mounting Details 2	FILE NAME		Part No.	page of drawing	Tantalus Systems Corp.
	280-0002-AS01			4 of 4	

(c) Tantalus Systems Corp. All rights reserved. No part of this publication, or any software included with it may be reproduced, stored in a retrieval system, or transmitted in any form or by any means including photocopying, electronic, mechanical, recording or otherwise without the prior written permission of the copyright holder. This document contains proprietary information of Tantalus Systems Corp. The contents are confidential and any disclosure to the persons other than the officers, employees, agents or subcontractors of the owner or licensee of this document, without the prior written consent of Tantalus Systems Corp. is strictly prohibited.

4224 Manor St., Burnaby, BC
Canada, V5G 1B2

Ph: (604) 299-0458
Fax: (604) 541-4111