

# INDICATOR STATUS

- LED 1 RED: A/C CONTROLLED WHEN LIT
- LED 3 GREEN: SOLID RECEIVING TEST SIGNAL
- LED 4 RED: W/H CONTROLLED WHEN LIT



M/N: LM-1532

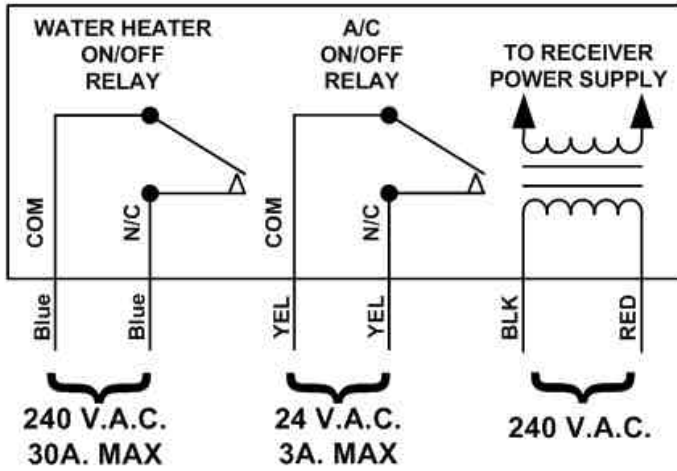


TYPE 4 ENCLOSURE  
ENCLOSED ENERGY  
MANAGEMENT EQUIPMENT



1 2 3 4 5 6 7

0215



FCC ID: OZFDCNIC1  
IC ID:3669A-DCNIC1

This device complies with part 15 of the FCC Rules. Operation is subject to the following two conditions: (1) This device may not cause harmful interference, and (2) this device must accept any interference received, including interference that may cause undesired operation.

Corporate Systems Engineering, Indianapolis, Indiana, U.S.A.

MODEL:GAK00-S041911M1-1

# INDICATOR STATUS

LED 1 RED: A/C CONTROLLED WHEN LIT  
LED 3 GREEN: SOLID RECEIVING TEST SIGNAL



M/N: LM-1531

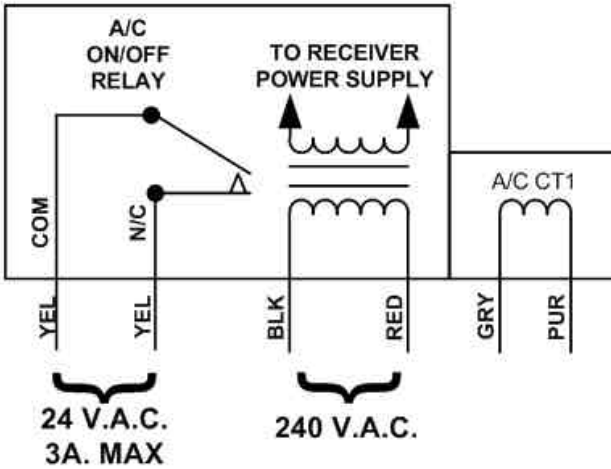


TYPE 4 ENCLOSURE  
ENCLOSED ENERGY  
MANAGEMENT EQUIPMENT



1 2 3 4 5 6 7

0215



FCC ID: OZFDCNIC1  
IC ID:3669A-DCNIC1

This device complies with part 15 of the FCC Rules. Operation is subject to the following two conditions: (1) This device may not cause harmful interference, and (2) this device must accept any interference received, including interference that may cause undesired operation.

Corporate Systems Engineering, Indianapolis, Indiana, U.S.A.

MODEL:GAK00-S041911M1-1