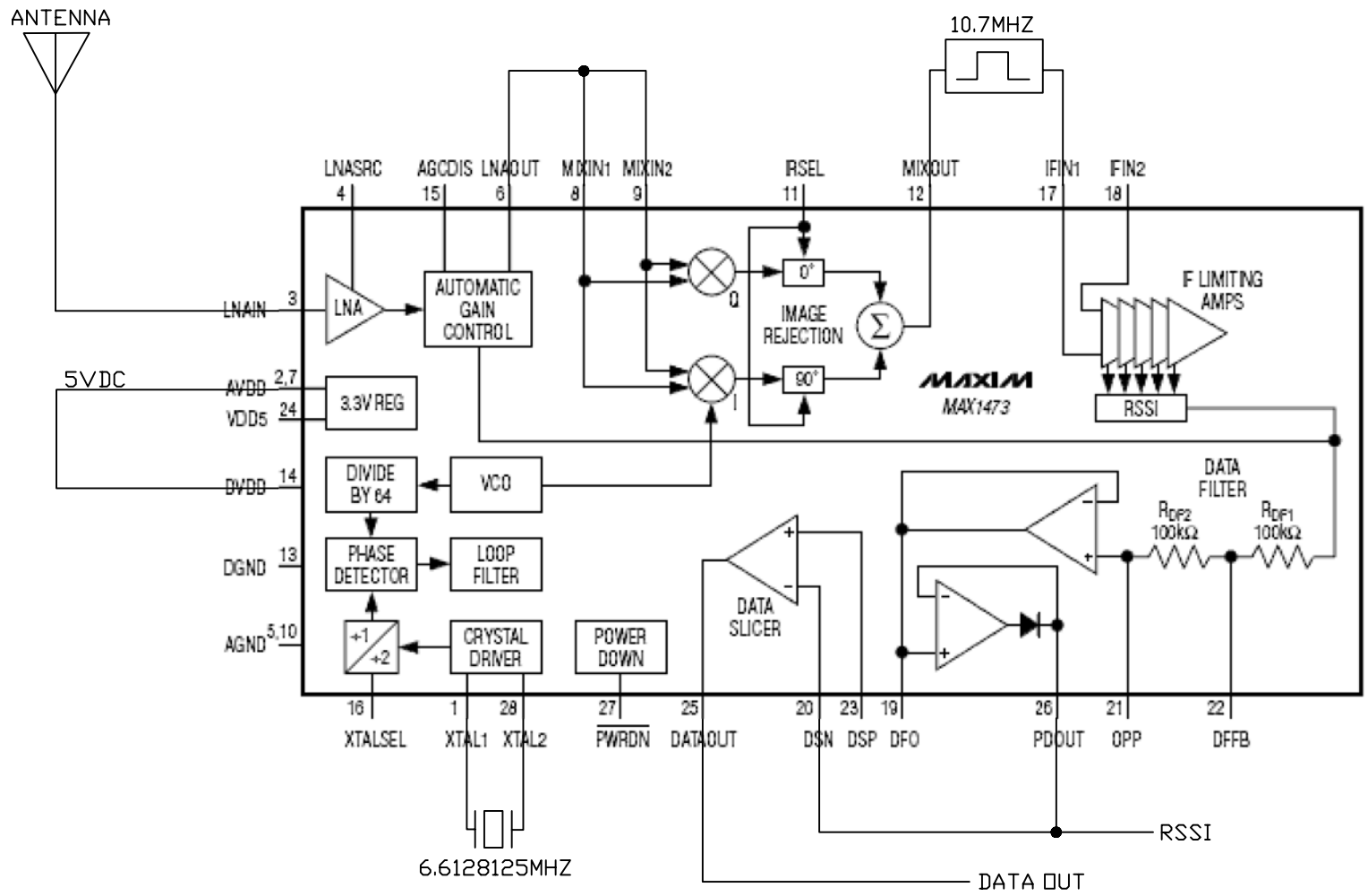


APPENDIX D
: BLOCK DIAGRAM

D	C	B	A	NO.	DESCRIPTION	PART NO.	MATERIAL	Q'TY	SURFACE TREATMENT	REMARK
					BLOCK DIAGRAM	RFX-250i				



DATE	AUTHORIZED	CHANGED DETAILS	CHANGED BASIS
SCALE	NS	UNIT	M/M
Drafter	Checked	Approved	DESC-PTION
			P/NO.
BLOCK DIAGRAM (RF RECEIVER MODULE)			
ØTMF-A511 TYPE			
OH SUNG ELECTRONICS CO., LTD.			REF. NO. STOCK NO.
DRAFT NO.			RFX-250i