

FCC EVALUATION REPORT FOR CERTIFICATION

Manufacturer : OHSUNG ELECTRONICS CO., LTD.

#181 Gongdan-dong, Gumi-si, Gyeongbuk

Republic of Korea.

Attn : Mr. Kwang-Jae Ok / Team Leader of Q.C

Date of Issue : June 25, 2010

Order Number: GETEC-C1-10-149

Test Report Number: GETEC-E3-10-082

Test Site: Gumi College EMC Center

FCC Registration Number: (100749, 443957)

FCC ID. : OZ5URCRFX-250I

Applicant : OHSUNG ELECTRONICS CO., LTD.

Rule Part(s) : FCC Part 15 Subpart B
Equipment Class : Communications Receiver used with Part 15 Transmitter (CYY)
EUT Type : RF Receiver
Type of Authority : Certification
Model Name : RFX-250i
Trade Name : UNIVERSAL Remote Control

This equipment has been shown to be in compliance with the applicable technical standards as indicated in the measurement report and was tested in accordance with the measurement procedures specified in ANSI C63.4-2003

I attest to the accuracy of data. All measurements reported herein were performed by me or were made under my supervision and are correct to the vest of my knowledge and belief. I assume full responsibility for the completeness of these measurements and vouch for the qualifications of all persons taking them.

Tested by,

Reviewed by,

Soon Hoon

Soon-Hoon Jeong, Engineer
GUMI College EMC center

Jae-Hoon Jeong

Jae-Hoon Jeong, Senior Engineer
GUMI College EMC center



CONTENTS

1. GENERAL INFORMATION	3
2. INTRODUCTION	4
3. PRODUCT INFORMATION	5
3.1 DESCRIPTION OF EUT.....	5
3.2 SUPPORT EQUIPMENT / CABLES USED	6
3.3 MODIFICATION ITEM(S).....	6
4. DESCRIPTION OF TESTS.....	7
4.1 TEST CONDITION.....	7
4.2 CONDUCTED EMISSION	8
4.3 RADIATED EMISSION.....	9
5. CONDUCTED EMISSION.....	10
5.1 OPERATING ENVIRONMENT	10
5.2 TEST SET-UP	10
5.3 MEASUREMENT UNCERTAINTY.....	10
5.4 LIMIT	11
5.5 TEST EQUIPMENT USED.....	11
5.6 TEST DATA FOR CONDUCTED EMISSION	11
6. RADIATED EMISSION	14
6.1 OPERATING ENVIRONMENT	14
6.2 TEST SET-UP	14
6.3 MEASUREMENT UNCERTAINTY.....	14
6.4 LIMIT	15
6.5 TEST EQUIPMENT USED.....	15
6.6 TEST DATA FOR RADIATED EMISSION.....	16
7. SAMPLE CALCULATIONS.....	17
7.1 EXAMPLE 1 :	17
7.2 EXAMPLE 2 :	17
8. RECOMMENDATION & CONCLUSION.....	18
APPENDIX A – ATTESTATION STATEMENT	
APPENDIX B – ID SAMPLE LABEL & LOCATION	
APPENDIX C – BLOCK DIAGRAM	
APPENDIX D – SCHEMATIC DIAGRAM	
APPENDIX E – TEST SET-UP PHOTOGRAPHS	
APPENDIX F – EXTERNAL PHOTOGRAPHS	
APPENDIX G – INTERNAL PHOTOGRAPHS	
APPENDIX H – USER’S MANUAL	
APPENDIX I – OPERATIONAL DESCRIPTION	
APPENDIX J – PART LIST	



Scope: Measurement and determination of electromagnetic emissions (EME) of radio frequency devices including intentional and / or unintentional radiators for compliance with technical rules and regulations of the Federal Communications Commission.

1. General Information

Applicant: OHSUNG ELECTRONICS CO., LTD.

Applicant Address: #181 Gongdan-dong, Gumi-si, Gyeongbuk, Republic of Korea.

Manufacturer: OHSUNG ELECTRONICS CO., LTD.

Manufacturer Address: #181 Gongdan-dong, Gumi-si, Gyeongbuk, Republic of Korea.

Contact Person: Mr. Kwang-Jae Ok / Team Leader Q.C

Tel Number: +82-54-468- 0831 Fax Number: +82-54- 461- 8368

- **FCC ID.** OZ5URCRFX-250I
- **Equipment Class** Communications Receiver used with Part 15 Transmitter (CYY)
- **EUT Type** RF Receiver
- **Model Name** RFX-250i
- **Trade Name** UNIVERSAL Remote Control
- **Serial Number** Prototype
- **Rule Part(s)** FCC Part 15 Subpart B
- **Type of Authority** Certification
- **Test Procedure(s)** ANSI C63.4 (2003)
- **Dates of Test** June 21 ~ 22, 2010
- **Place of Test** **Gumi College EMC Center** (FCC Registration No.: 100749, 443957)
407, Bugok-dong, Gumi-si, Gyeongbuk, Korea.
- **Test Report Number** GETEC-E3-10-082
- **Dates of Issue** June 25, 2010



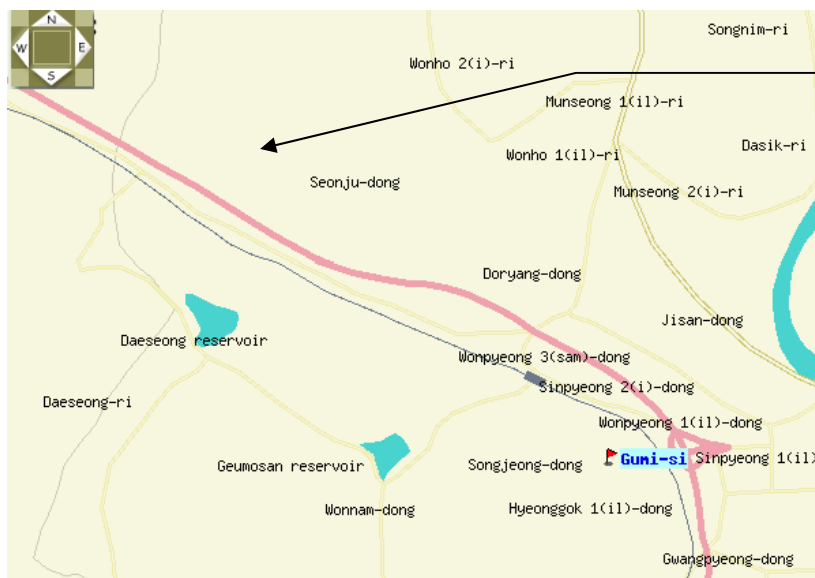
2. Introduction

The measurement procedure described in American National Standard for Methods of Measurement of Radio-Nose Emissions From Low-Voltage Electrical and Electronic Equipment in the Range of 9 kHz to 40 GHz (ASNI C63.4-2003) was used in determining radiated and conducted emissions emanating from **OHSUNG ELECTRONICS CO., LTD. RF Receiver(Model Name: RFX-250i) FCC ID.: OZ5URCRFX-250I**

These measurement tests were conducted at **Gumi College EMC Center**.

The site address is 407, Bugok-dong, Gumi-si, Gyeongbuk, Korea.

This test site is one of the highest point of Gumi 1 college at about 200 km away from Seoul city and 40 km away from Daegu city. It is located in the valley surrounded by mountains in all directions where ambient radio signal conditions are quiet and a favorable area to measure the radio frequency interference on open field test site for the computing and ISM devices manufactures. The detailed description of the measurement facility was found to be in compliance with the requirements of FCC §2.948 according to ANSI C63.4 (2003)



GUMI COLLEGE EMC CENTER
407,Bugok-dong, Gumi-si,
Gyeongbuk 730-711, Korea.
Tel: +82-54-440-1195
Fax: +82-54-440-1199

Fig 1. The map above shows the Gumi College in vicinity area.



3. Product Information

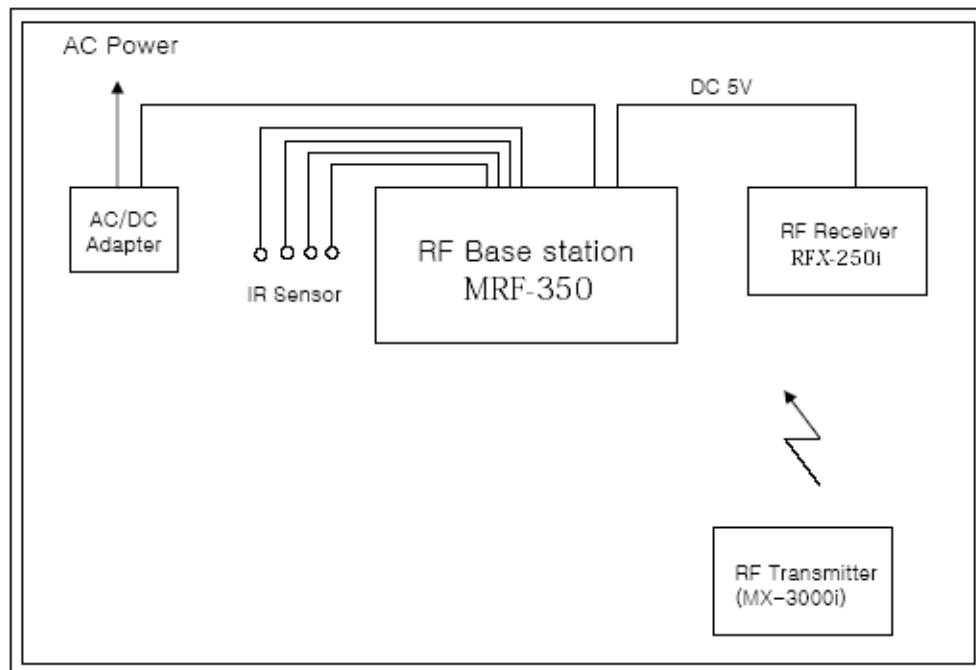
3.1 Description of EUT

The Equipment under Test (EUT) is the **OHSUNG ELECTRONICS CO., LTD. RF Receiver (Model Name: RFX-250i) FCC ID.: OZ5URCRFX-250I**

This EUT can receive RF signal from RF transmitter and, send RF signal to base station

- **Power Supply** : DC 5 V supplied from the MRF-350
- **RF Receiving Frequency** : 433.92 MHz
- **External Connector** : Phone Jack, 3Pin terminal Wafer.
- **Crystal, Clock Frequency** : 6.612 812 5 MHz on RF Module B' D
- **Number of Layer** : 2 Layer

Test Configuration





3.2 Support Equipment / Cables used

3.2.1 Used Support Equipment

Description	Manufacturer	Model Name	S/N & FCC ID
RF Transmitter	OHSUNG ELECTRONICS CO., LTD.	MX-3000i	S/N: N/A FCC ID: OZ5URCMX-3000-N
RF Base Station	OHSUNG ELECTRONICS CO., LTD.	MRF-350	S/N:N/A FCC ID:OZ5URCMRF350
IR sensor	OHSUNG ELECTRONICS CO., LTD.	-	S/N: N/A FCC ID: -

See "Appendix D- Test Setup Photographs" for actual system test set-up

3.2.2 System configuration

Description	Manufacturer	Model Name	S/N & FCC ID.
None	-	-	S/N: - FCC ID.:-

3.2.2 Used Cable(s)

Cable Name	Condition	Description
DC cable	Connected to the EUT and base station	3.60 m shielded

3.3 Modification Item(s)

- None



4. Description of tests

4.1 Test Condition

The EUT was installed, arranged and operated in a manner that is most representative of equipment as typically used. The measurements were carried out while varying operating modes and cable positions within typically arrangement to determine maximum emission level.

The representative and worst test mode(s) were noted in the test report.

- Test Voltage / Frequency : AC 120 V / 60 Hz
- Test Mode(s)
 - . RF receiving mode



4.2 Conducted Emission

The Line conducted emission test facility is inside a 4 m × 8 m × 2.5 m shielded enclosure. (FCC Registration No.: 100749)

The EUT was placed on a non-conducting 1.0 m by 1.5 m table, which is 0.8 m in height and 0.4 m away from the vertical wall of the shielded enclosure.

The EUT is powered from the Rohde & Schwarz LISN (ESH2-Z5) and the support equipment is powered from the Rohde & Schwarz LISN (ESH3-Z5). Powers to the LISN are filtered by high-current high insertion loss power line filter.

Sufficient time for EUT, support equipment, and test equipment was allowed in order for them to warm up to their normal operating condition.

The RF output of the LISN was connected to the EMI test receiver (Rohde & Schwarz, ESCS30).

The EMI test receiver was scanned from 150 kHz to 30 MHz with 20 ms sweep time to determine the frequency producing the maximum EME from the EUT. The frequency producing the maximum level was re-examined using Quasi-Peak mode of the EMI test receiver.

The bandwidth of Quasi-peak mode was set to 9 kHz. Each emission was maximized consistent with typical applications by varying the configuration of the test sample. Interface cables were connected to the available interface ports of the test unit. The effect of varying the position of cables was investigated to find the configuration that produces maximum diagram emission. Excess cable lengths were bundled at center with 30 cm ~ 40 cm.

Each EME reported was calibrated using the R/S signal generator

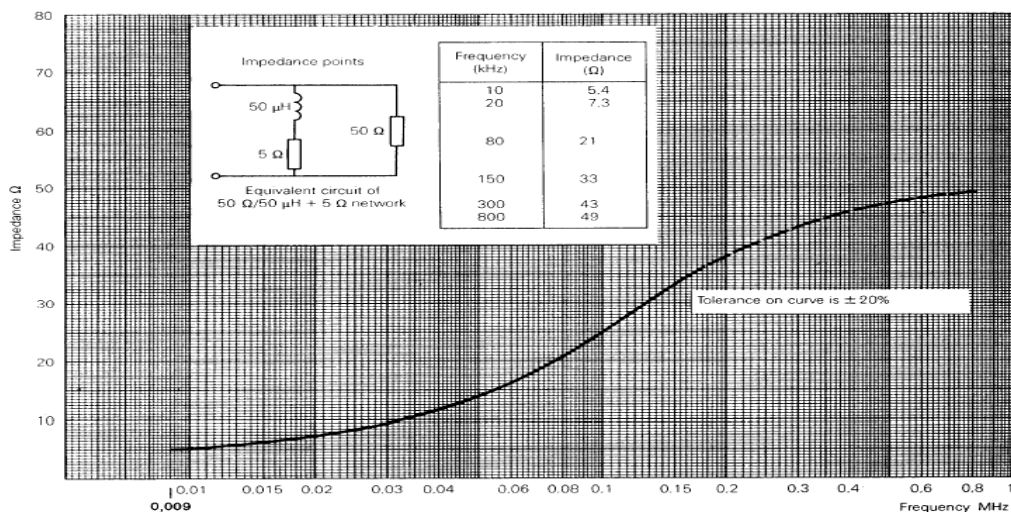


Fig 2. Impedance of LISN



4.3 Radiated Emission

Preliminary measurements were conducted 3 m semi anechoic chamber using broadband antennas to determine the frequency producing the maximum EME. Appropriate precaution was taken to ensure that all EME from the EUT were maximized and investigated. The technology configuration, mode of operation and turntable azimuth with respect to antenna was note for each frequency found.

Final measurements were made 3 m chamber (FCC registration No.: 443957) and/or 10 m OATS (FCC registration No.: 100749).

Sufficient time for the EUT, support equipment, and test equipment was allowed in order for them to warm up to their normal operating condition.

Each frequency found during pre-scan measurements was re-examined and investigated using EMI test receiver. The detector function was set to CISPR quasi-peak mode average mode and the bandwidth of the receiver was set to 120 kHz or 1 MHz depending on the frequency or type of signal.

The EUT, support equipment and interconnecting cables were reconfigured to the setup producing the maximum emission for the frequency and were placed on top of a 0.8 m high non-metallic 1.0 m × 1.5 m table.

The turntable containing the test sample was rotated; the antenna height was varied 1 to 4 meter and stopped at the azimuth or height producing the maximum emission.

Each EME reported was calibrated using the R/S signal generator

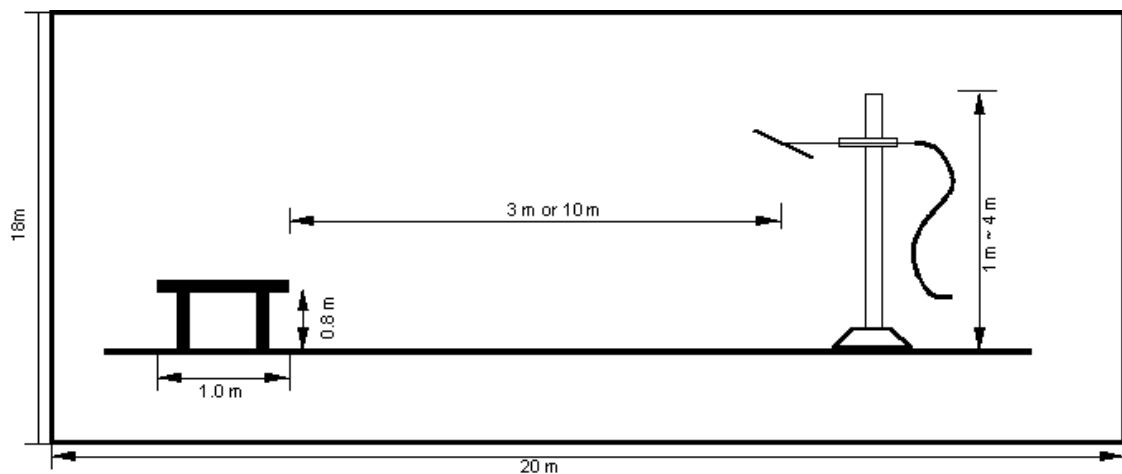


Fig 3. Dimensions of test site.



5. Conducted Emission

5.1 Operating Environment

Temperature : 26 °C
Relative Humidity : 44 % R.H.

5.2 Test Set-up

The conducted emission measurements were performed in the shielded room.

The EUT was placed on wooden table, 0.8 m heights above the floor, 0.4 m from the reference ground plane (GRP) wall and 0.8 m from AMN & ISN.

AMN is bonded on horizontal reference ground plane.

The ground plane, which was electrically bonded to the shield room, ground system and all power lines entering the shield room, were filtered.

5.3 Measurement Uncertainty

The measurement uncertainty was calculated in accordance with ISO “Guide to the expression of uncertainty in measurement.”

The measurement uncertainty was given with a confidence of 95 %.

Test Items	Uncertainty	Remark
Conducted emission (9 kHz ~ 150 kHz)	± 2.69 dB	Confidence levels of 95 % ($k = 2$)
Conducted emission (150 kHz ~ 30 MHz)	± 4.16 dB	Confidence levels of 95 % ($k = 2$)



5.4 Limit

RFI Conducted	FCC Limit(dB) Class B	
	Quasi-Peak	Average
Freq. Range		
150 kHz ~ 0.5 MHz	66 ~ 56*	56 ~ 46*
0.5 MHz ~ 5 MHz	56	46
5 MHz ~ 30 MHz	60	50

*Limits decreases linearly with the logarithm of frequency.

5.5 Test Equipment used

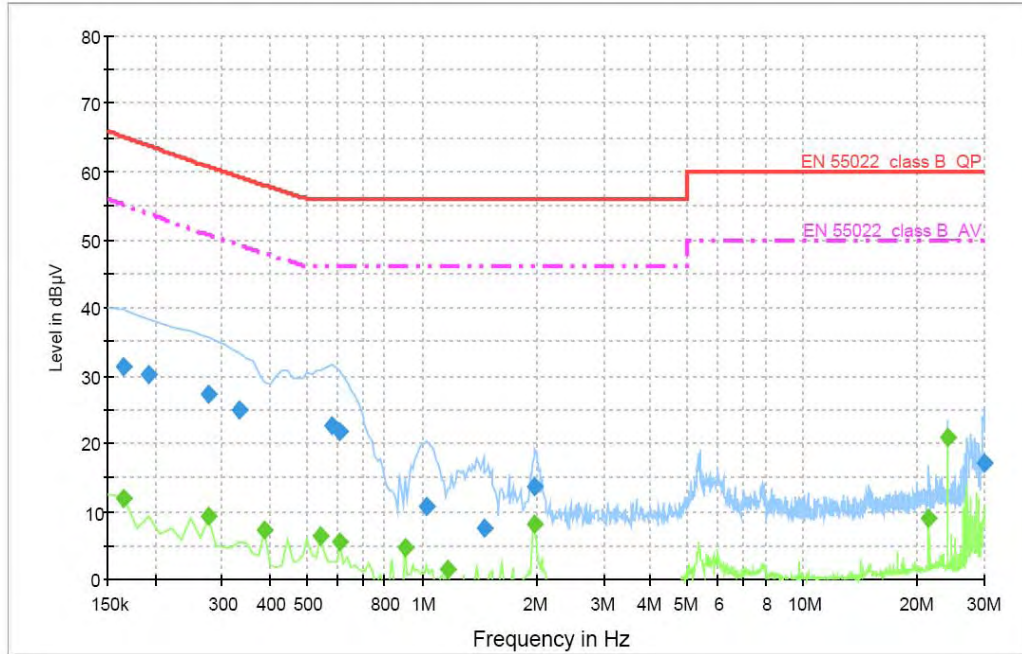
Model Name	Manufacturer	Description	Serial Number	Due to Calibration
■ - ESCS30	Rohde & Schwarz	EMI test receiver	839809/003	12. 10. 2010
■ - ESH2-Z5	Rohde & Schwarz	LISN	829991/009	12. 10. 2010

5.6 Test data for Conducted Emission

- Test Date : June 21, 2010
- Resolution Bandwidth : 9 kHz
- Frequency Range : 0.15 MHz ~ 30 MHz



Voltage with 4-Line-LISN_L1



Final Measurement Detector 1

Frequency (MHz)	QuasiPeak (dBµV)	Meas. Time (ms)	Bandwidth (kHz)	PE	Line	Corr. (dB)	Margin (dB)	Limit (dBµV)	Comment
0.164000	31.3	1000.000	9.000	GND	L1	10.0	33.9	65.2	
0.192000	30.0	1000.000	9.000	GND	L1	10.0	33.8	63.8	
0.276000	27.3	1000.000	9.000	GND	L1	10.0	33.4	60.7	
0.332000	25.0	1000.000	9.000	GND	L1	10.0	34.2	59.2	
0.584000	22.6	1000.000	9.000	GND	L1	10.0	33.4	56.0	
0.612000	21.6	1000.000	9.000	GND	L1	10.0	34.4	56.0	
1.032000	10.7	1000.000	9.000	GND	L1	10.0	45.3	56.0	
1.452000	7.7	1000.000	9.000	GND	L1	10.1	48.3	56.0	
1.984000	13.6	1000.000	9.000	GND	L1	10.1	42.4	56.0	
29.928000	17.2	1000.000	9.000	GND	L1	11.5	42.8	60.0	

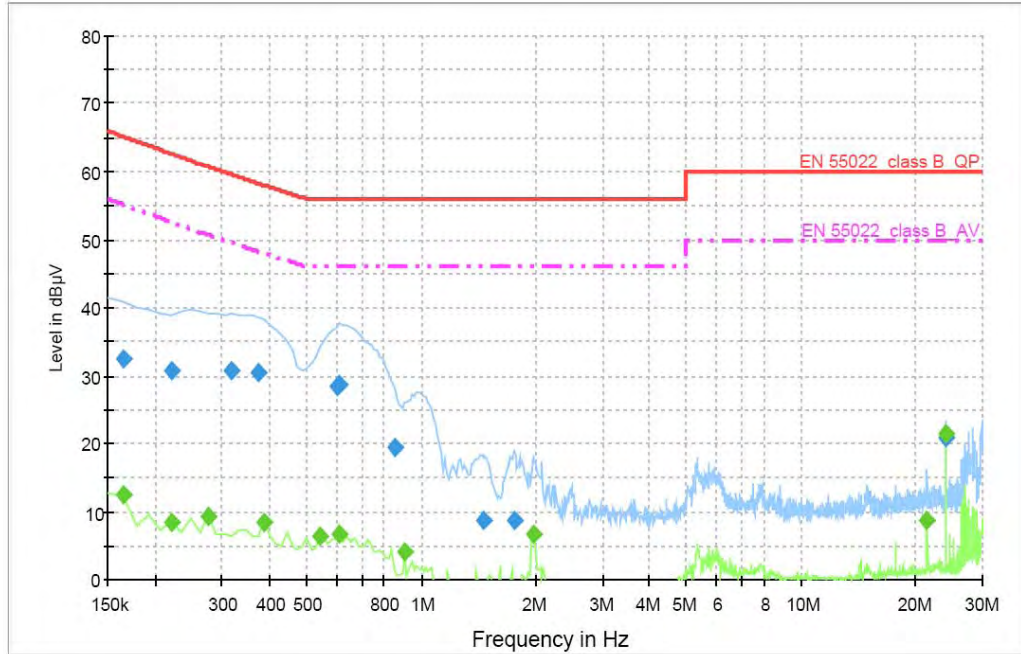
Final Measurement Detector 2

Frequency (MHz)	Average (dBµV)	Meas. Time (ms)	Bandwidth (kHz)	PE	Line	Corr. (dB)	Margin (dB)	Limit (dBµV)	Comment
0.164000	11.9	1000.000	9.000	GND	L1	10.0	43.3	55.2	
0.276000	9.1	1000.000	9.000	GND	L1	10.0	41.6	50.7	
0.388000	7.4	1000.000	9.000	GND	L1	10.0	40.5	47.9	
0.542000	6.3	1000.000	9.000	GND	L1	10.0	39.7	46.0	
0.612000	5.6	1000.000	9.000	GND	L1	10.0	40.4	46.0	
0.906000	4.6	1000.000	9.000	GND	L1	10.0	41.4	46.0	
1.172000	1.5	1000.000	9.000	GND	L1	10.1	44.5	46.0	
1.970000	8.0	1000.000	9.000	GND	L1	10.1	38.0	46.0	
21.500000	9.1	1000.000	9.000	GND	L1	11.1	41.0	50.0	
24.034000	20.9	1000.000	9.000	GND	L1	11.2	29.1	50.0	

< Fig 4. Conducted emission result (Live line)>



Voltage with 4-Line-LISN_N



Final Measurement Detector 1

Frequency (MHz)	QuasiPeak (dBµV)	Meas. Time (ms)	Bandwidth (kHz)	PE	Line	Corr. (dB)	Margin (dB)	Limit (dBµV)	Comment
0.164000	32.5	1000.000	9.000	GND	N	10.0	32.7	65.2	
0.220000	30.7	1000.000	9.000	GND	N	10.0	31.9	62.6	
0.318000	30.7	1000.000	9.000	GND	N	10.0	28.9	59.6	
0.374000	30.3	1000.000	9.000	GND	N	10.0	28.0	58.3	
0.598000	28.4	1000.000	9.000	GND	N	10.0	27.6	56.0	
0.612000	28.6	1000.000	9.000	GND	N	10.0	27.4	56.0	
0.850000	19.4	1000.000	9.000	GND	N	10.0	36.6	56.0	
1.466000	8.6	1000.000	9.000	GND	N	10.1	47.4	56.0	
1.760000	8.6	1000.000	9.000	GND	N	10.1	47.4	56.0	
24.034000	20.9	1000.000	9.000	GND	N	10.8	39.1	60.0	

Final Measurement Detector 2

Frequency (MHz)	Average (dBµV)	Meas. Time (ms)	Bandwidth (kHz)	PE	Line	Corr. (dB)	Margin (dB)	Limit (dBµV)	Comment
0.164000	12.3	1000.000	9.000	GND	N	10.0	42.9	55.2	
0.220000	8.5	1000.000	9.000	GND	N	10.0	44.1	52.6	
0.276000	9.1	1000.000	9.000	GND	N	10.0	41.6	50.7	
0.388000	8.4	1000.000	9.000	GND	N	10.0	39.5	47.9	
0.542000	6.4	1000.000	9.000	GND	N	10.0	39.6	46.0	
0.612000	6.8	1000.000	9.000	GND	N	10.0	39.2	46.0	
0.906000	3.9	1000.000	9.000	GND	N	10.0	42.1	46.0	
1.970000	6.5	1000.000	9.000	GND	N	10.1	39.5	46.0	
21.500000	8.8	1000.000	9.000	GND	N	10.8	41.2	50.0	
24.034000	21.4	1000.000	9.000	GND	N	10.8	28.6	50.0	

< Fig 5. Conducted emission result (Neutral line)>



6. Radiated Emission

6.1 Operating Environment

Temperature : 24 °C
Relative Humidity : 39 % R.H.

6.2 Test Set-up

A preliminary and final measurement was at 3 m anechoic chamber.

The EUT was placed on a non-conductive turntable approximately 0.8 m above the ground plane.

The turntable with EUT was rotated 360°, and the antenna was varied in height between 1.0 m and 4.0 m in order to determine the maximum emission levels.

This procedure was performed for both horizontal and vertical polarization of the receiving antenna.

6.3 Measurement Uncertainty

The measurement uncertainty was calculated in accordance with ISO “Guide to the expression of uncertainty in measurement”.

The measurement uncertainty was given with a confidence of 95 %.

Test items(Anechoic Chamber)	Uncertainty	Remark
Radiated emission (30 MHz ~ 300 MHz, 3 m, Vertical)	± 4.32 dB	Confidence levels of 95 % ($k = 2$)
Radiated emission (30 MHz ~ 300 MHz, 3 m, Horizontal)	± 4.21 dB	Confidence levels of 95 % ($k = 2$)
Radiated emission (300 MHz ~ 1 000 MHz, 3 m, Vertical)	± 3.96 dB	Confidence levels of 95 % ($k = 2$)
Radiated emission (300 MHz ~ 1 000 MHz, 3 m, Horizontal)	± 3.97 dB	Confidence levels of 95 % ($k = 2$)



6.4 Limit

Frequency (MHz)	FCC Limit @ 3 m. dB μ V/m	CISPR Limit @ 10 m. dB μ V/m
30 ~ 88	40.0	30.0
88 ~ 216	43.5	30.0
216 ~ 230	46.0	30.0
230 ~ 960	46.0	37.0
960 ~ 1 000	54.0	37.0
> 1 000	54.0	No Specified limit

6.5 Test Equipment used

Model Name	Manufacturer	Description	Serial Number	Due to Calibration
■ - ESI26	Rohde & Schwarz	EMI test receiver	830482/010	12. 10. 2010
■ - VULB9160	Schwarzbeck	Broadband Test Antenna	3193	03. 15. 2012
■ - MCU066	maturo GmbH	MCU066	1390306	N/A
■ - TT2.5SI	maturo GmbH	Turntable	1390307	N/A
■ - AM 4.0	maturo GmbH	Antenna Mast	1390308	N/A

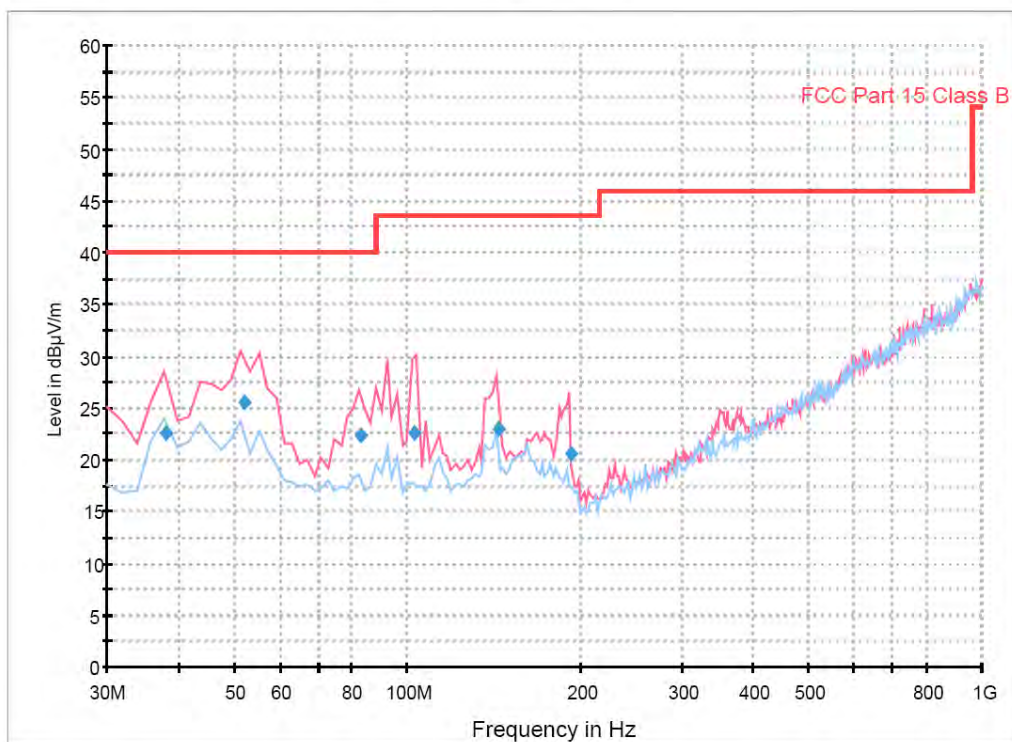


6.6 Test data for Radiated Emission

- Test Date : June 22, 2010
- Resolution bandwidth : 120 kHz
- Frequency range : 30 MHz ~ 1 000 MHz
- Measurement distance : 3 m
- Note : The highest frequency of the internal source of the EUT is less than 108 MHz (6.612 812 5 MHz). The measurement was made up to 1 000 MHz

◆ Red trace: Vertical polarization, Blue trace: Horizontal polarization

Radiated Emission_below 1 GHz



Final Result 1

Frequency (MHz)	QuasiPeak (dBµV/m)	Meas. Time (ms)	Bandwidth (kHz)	Height (cm)	Polarization	Azimuth (deg)	Corr. (dB)	Margin (dB)	Limit (dBµV/m)
37.955551	22.5	1000.0	120.000	100.0	V	25.0	13.0	17.5	40.0
51.882766	25.6	1000.0	120.000	100.0	V	282.0	13.6	14.4	40.0
82.824970	22.4	1000.0	120.000	100.0	V	33.0	9.6	17.6	40.0
103.087735	22.6	1000.0	120.000	129.0	V	0.0	11.5	20.9	43.5
144.085491	23.0	1000.0	120.000	100.0	V	220.0	14.8	20.5	43.5
192.082685	20.6	1000.0	120.000	100.0	V	124.0	12.6	22.9	43.5

< Fig 6. Radiated emission result (30 MHz ~ 1 000 MHz)>



7. Sample Calculations

$$\begin{aligned} \text{dB}\mu\text{V} &= 20 \text{ Log}_{10}(\mu\text{V}/\text{m}) \\ \text{dB}\mu\text{V} &= \text{dBm} + 107 \\ \mu\text{V} &= 10^{(\text{dB}\mu\text{V}/20)} \end{aligned}$$

7.1 Example 1 :

■ 20.3 MHz

Class B Limit	= 250 μV = 48 dBμV
Reading	= 39.2 dBμV
$10^{(39.2\text{dB}\mu\text{V}/20)}$	= 91.2 μV
Margin	= 48 dBμV - 39.2 dBμV
	= 8.8 dB

7.2 Example 2 :

■ 66.7 MHz

Class B Limit	= 100 $\mu\text{V}/\text{m}$ = 40.0 dB$\mu\text{V}/\text{m}$
Reading	= 31.0 dBμV
Antenna Factor + Cable Loss = 5.8 dB	
Total	= 36.8 dB$\mu\text{V}/\text{m}$
Margin	= 40.0 dB$\mu\text{V}/\text{m}$ - 36.8 dB$\mu\text{V}/\text{m}$
	= 3.2 dB



8. Recommendation & Conclusion

The data collected shows that the **OHSUNG ELECTRONICS CO., LTD. RF Receiver (Model Name: RFX-250)** was complies with §15.107 and 15.109 of the FCC Rules.