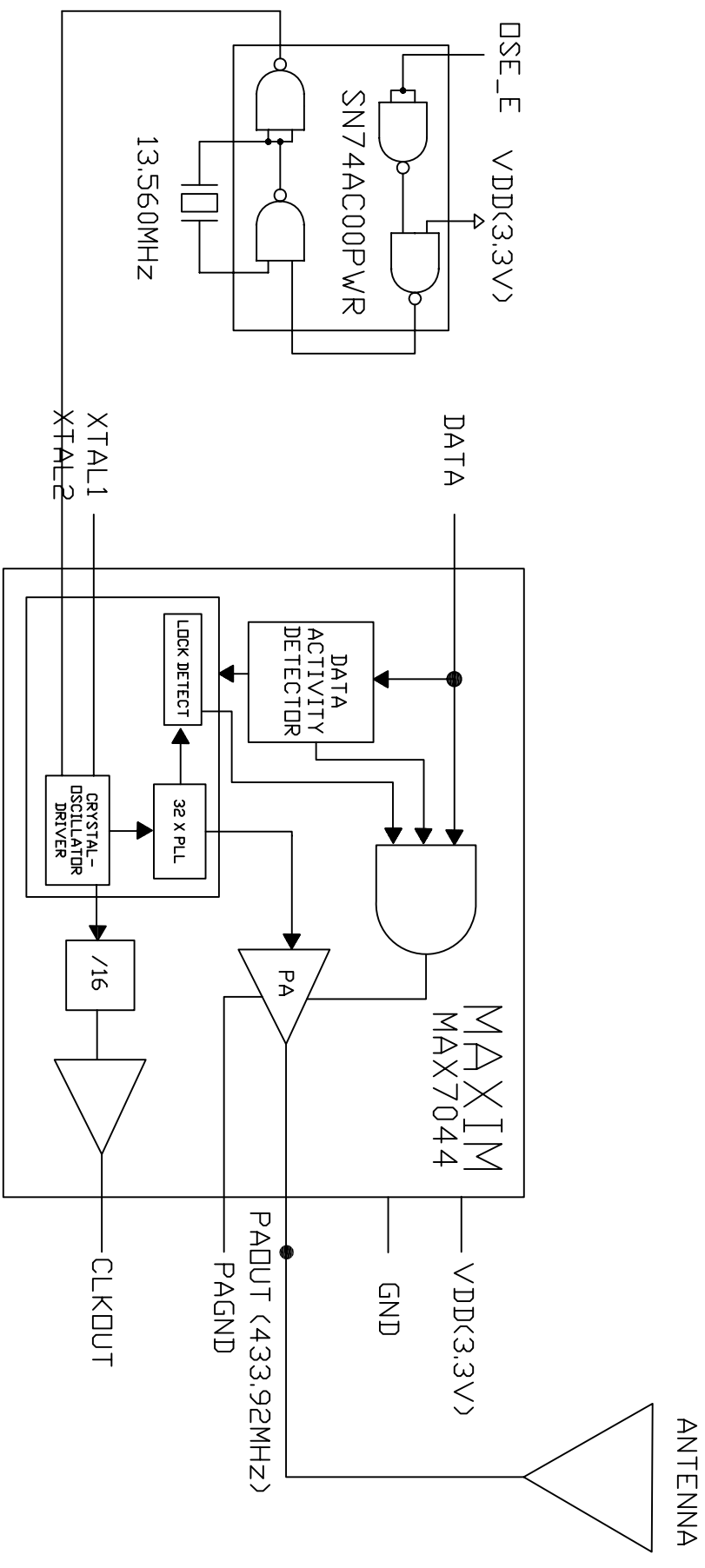


APPENDIX D
: BLOCK DIAGRAM

D	C	B	A	NO.	DESCRIPTION	PART NO.	MATERIAL	Q'TY	SURFACE TREATMENT	REMARK
					BLOCK DIAGRAM	MX-9801				



DATE				AUTHORIZED				CHANGED DETAILS				CHANGED BASIS					
SCALE	NS	UNT	M/M	UNT	M/M	UNT	UNT	DATE	NS	UNT	M/M	UNT	DATE	NS	UNT	M/M	UNT
1:1		mm		mm		mm	mm										
Drafter								Checked									
Approved								P/NO.									
BLOCK DIAGRAM (RF MODULE)																	
REF. NO.				STOCK NO.				DRAFT NO.				MX-9801					

OH SANG ELECTRONICS CO., LTD.

MX-980i H/W Block Diagram

