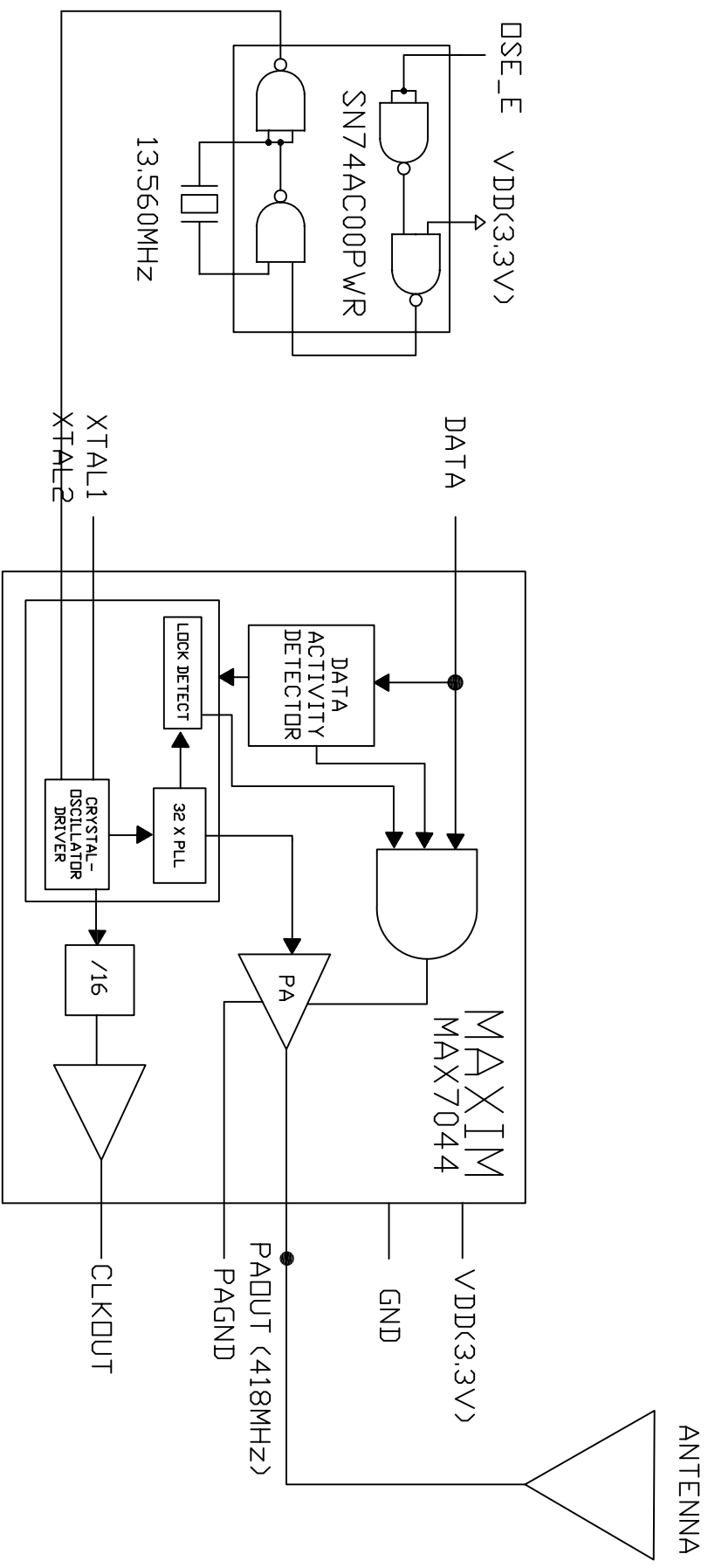


APPENDIX D  
: BLOCK DIAGRAM

D	C	B	A	NO.	DESCRIPTION	PART NO.	MATERIAL	Q'TY	SURFACE TREATMENT	REMARK
					BLOCK DIAGRAM	MX-950				



DATE				AUTHORIZED				CHANGED DETAILS				CHANGED BASIS			
SCALE	NS	UNT	UNIT	M/M	UNT	UNIT	UNIT	DESC- RPTION	P/NO.	REF. NO.	STOCK NO.	DRAFT NO.	DRAFT NO.	TYPE	
Drifter		Checked			Approved			BLOCK DIAGRAM (RF MODULE)						φTMF-A417 TYPE	
														MX-950	



OH SANG ELECTRONICS CO., LTD.