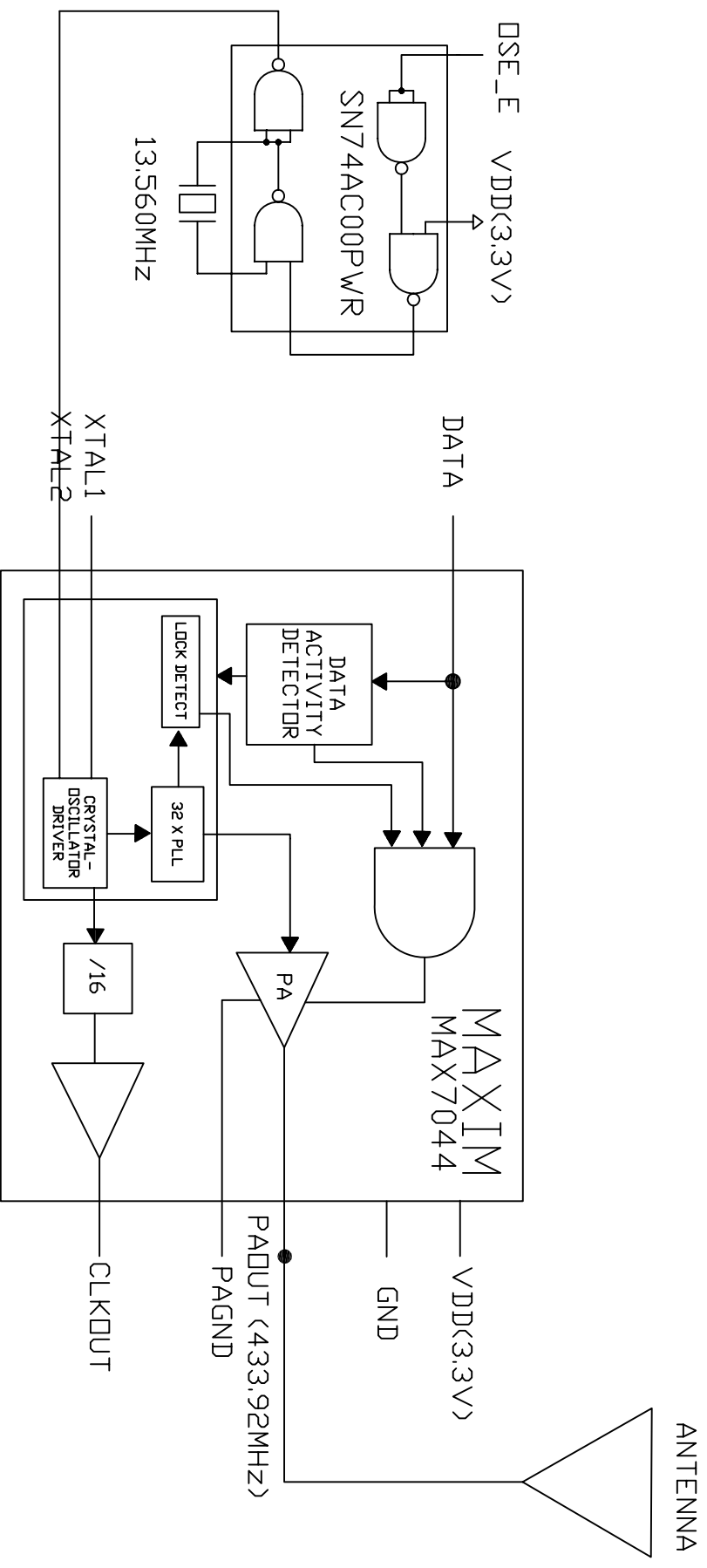


APPENDIX D
: BLOCK DIAGRAM

D	C	B	A	NO.	DESCRIPTION	PART NO.	MATERIAL	Q'TY	SURFACE TREATMENT	REMARK
					BLOCK DIAGRAM	MX-810i				



25

20

15

10

5

DATE				AUTHORIZED				CHANGED DETAILS				CHANGED BASIS							
SCALE	NS	UNIT	M/M	UNIT	M/M	UNIT	DESC. REVISION	SCALE	NS	UNIT	M/M	UNIT	DESC. REVISION	SCALE	NS	UNIT	M/M	UNIT	DESC. REVISION
Drifter		Checked		Approved		P/NO.	BLOCK DIAGRAM (RF MODULE)												
REF. NO. STOCK NO.				OH SANG ELECTRONICS CO., LTD.				DRAFT NO.				MX-810i							

MX-810i BLOCK DIAGRAM

